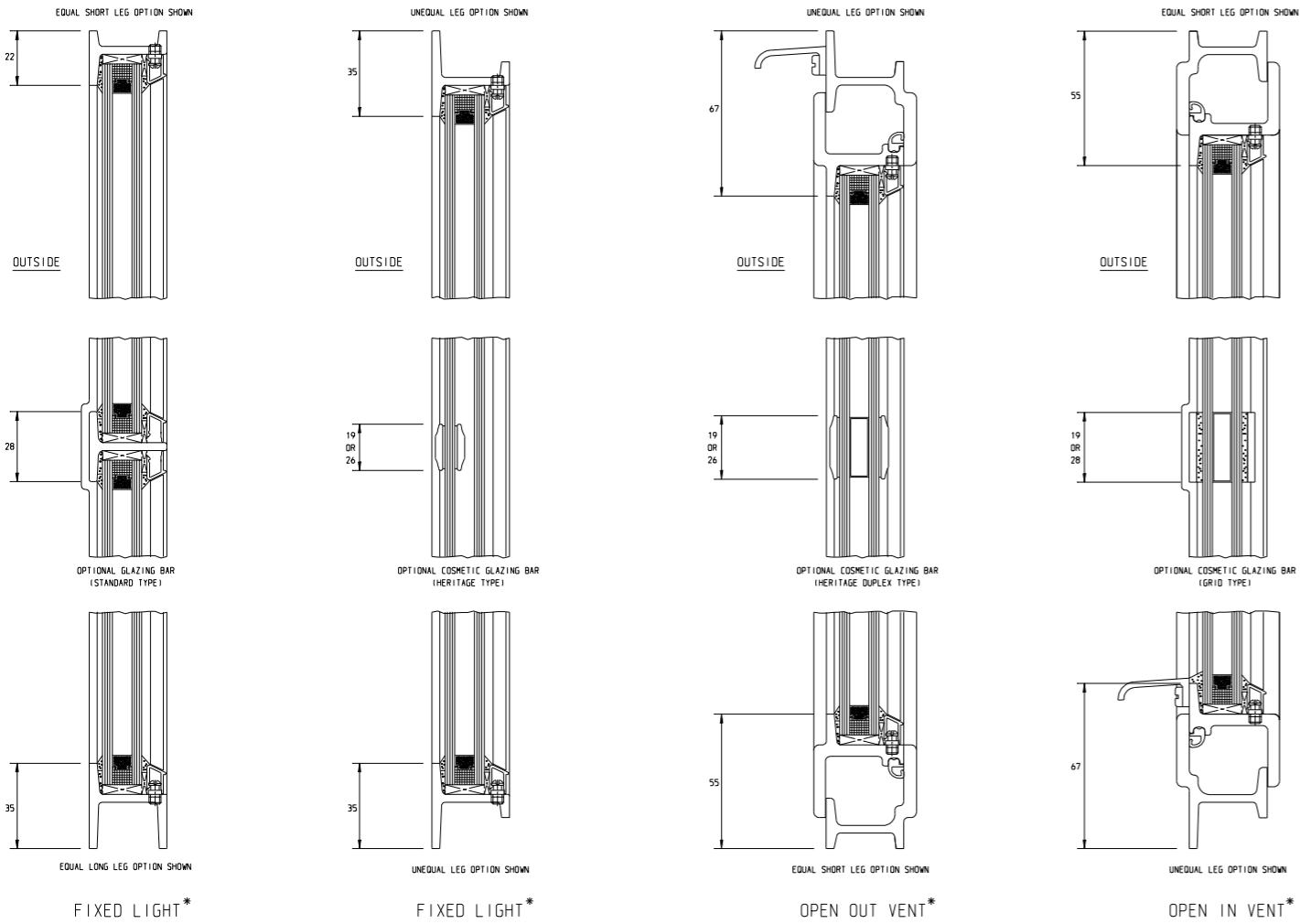
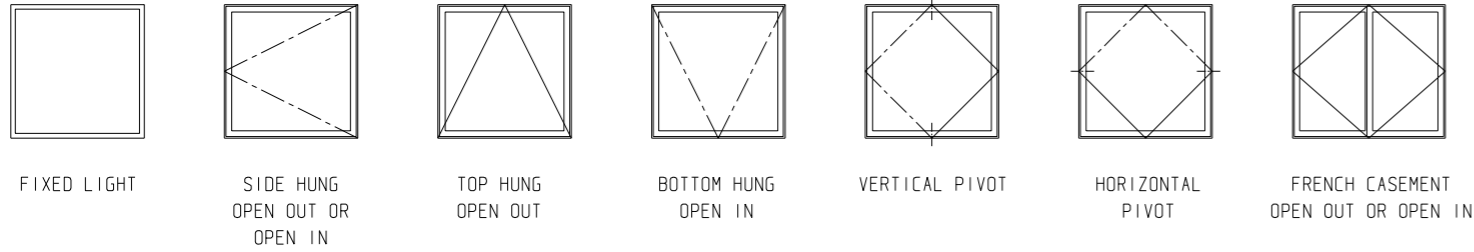
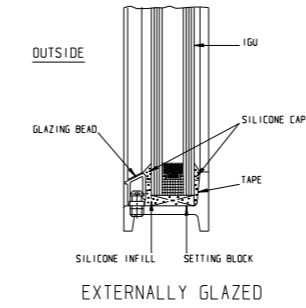
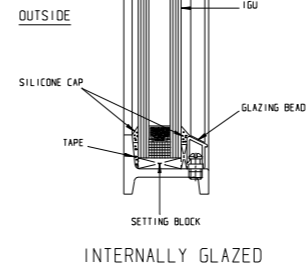
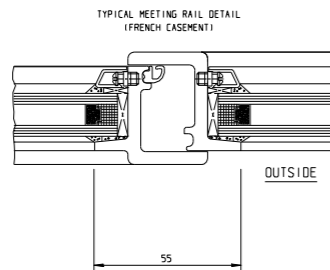


PRODUCT RANGE

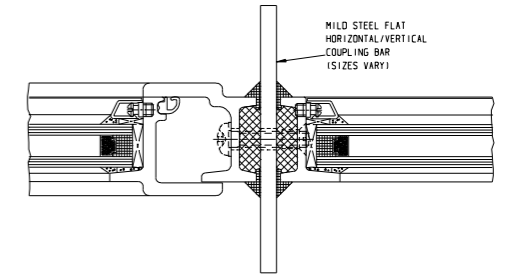
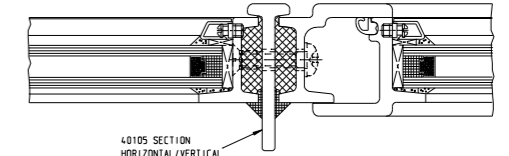
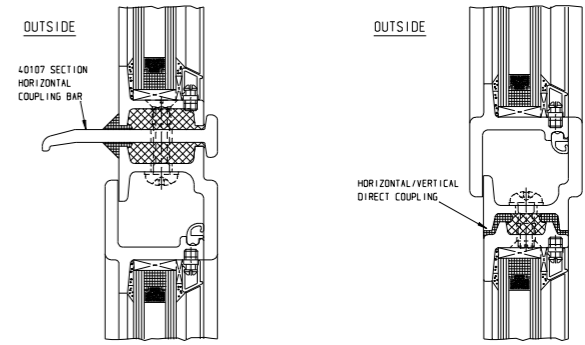


JAMB DETAILS SIMILAR TO HEAD AND SILL

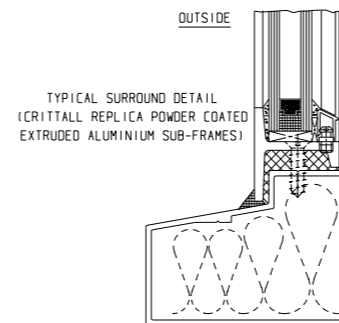
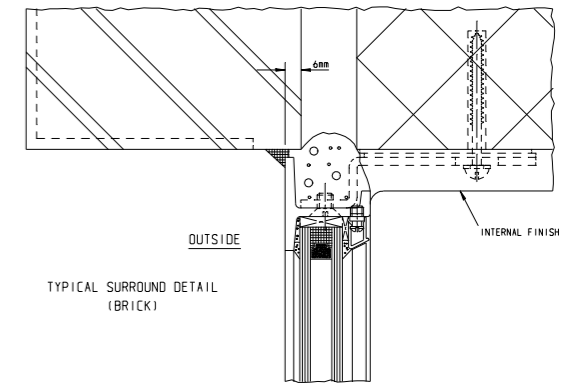
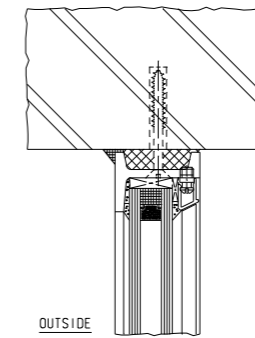
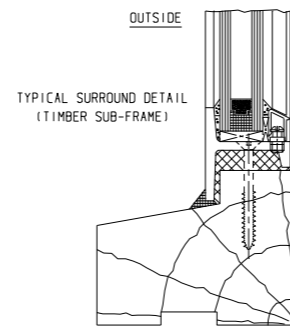
* NOTE: EXTERIOR GLAZED CONFIGURATION, WEATHERBAR DESIGN AND PROFILE OPTIONS ARE AVAILABLE. CONTACT CRITTALL FOR DETAILS



GLAZING DETAILS



TYPICAL COUPLING DETAILS



TYPICAL SURROUND DETAILS

