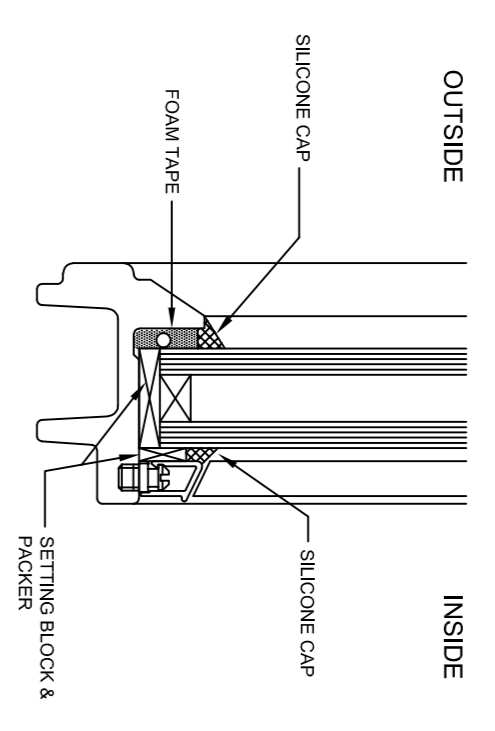
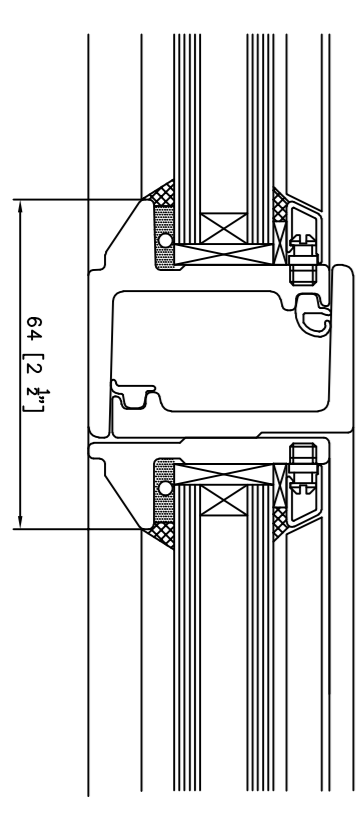
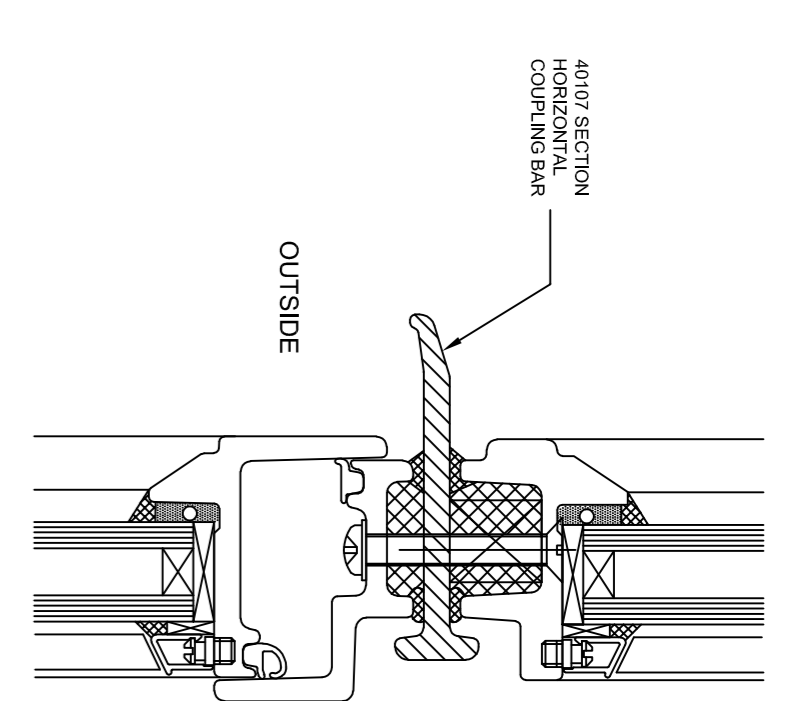


JAMB DETAILS SIMILAR TO HEAD AND CILL

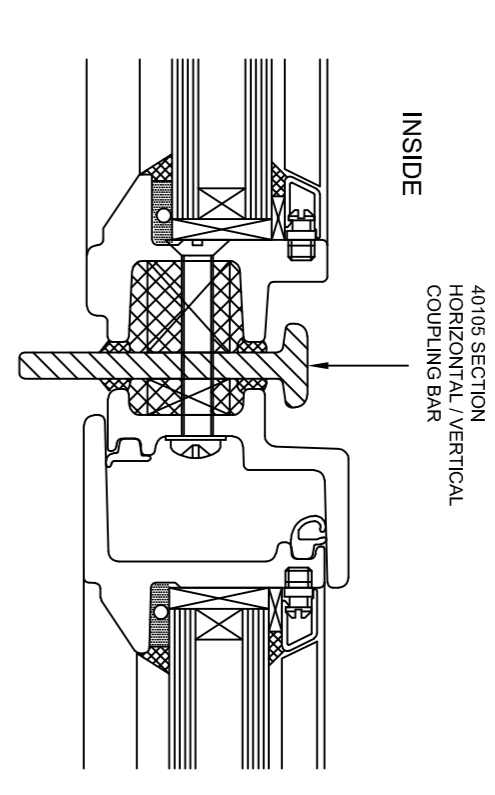
TYPICAL MEETING RAIL DETAIL (FRENCH CASEMENT)



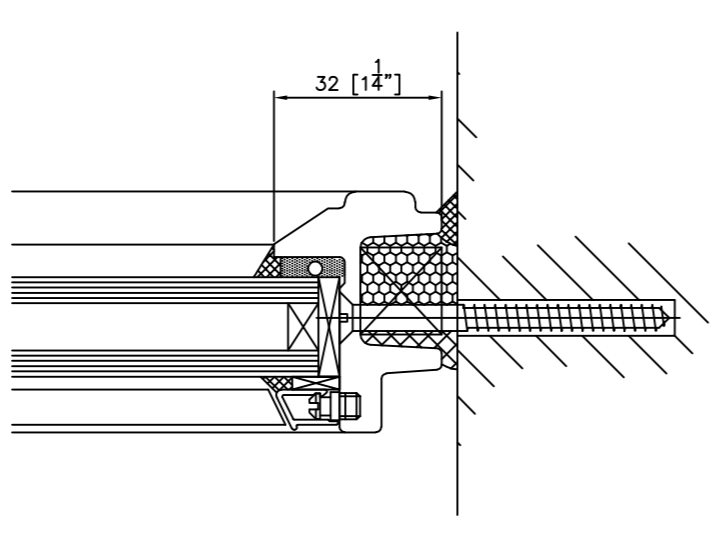
GLAZING DETAILS



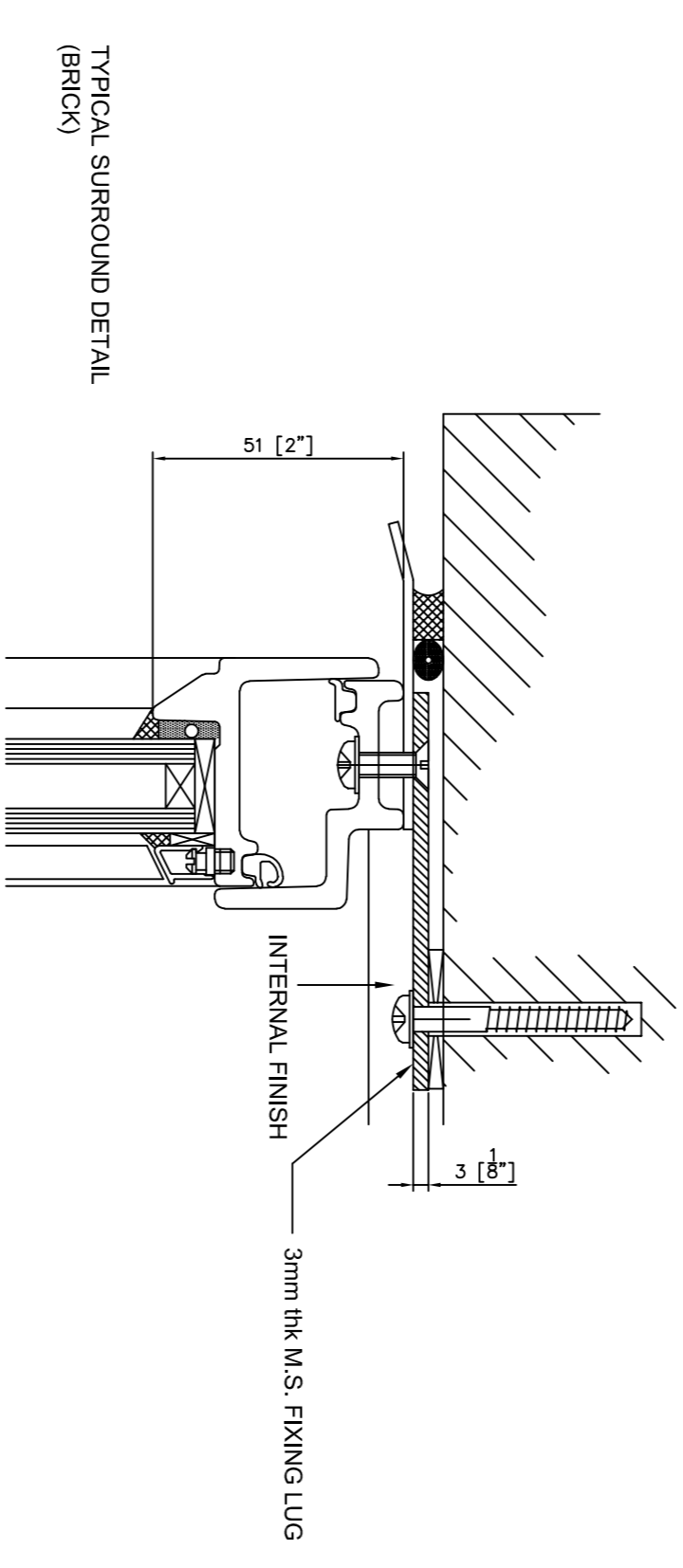
4007 SECTION HORIZONTAL COUPLING BAR (SILEX VENT)



TYPICAL COUPLING DETAILS

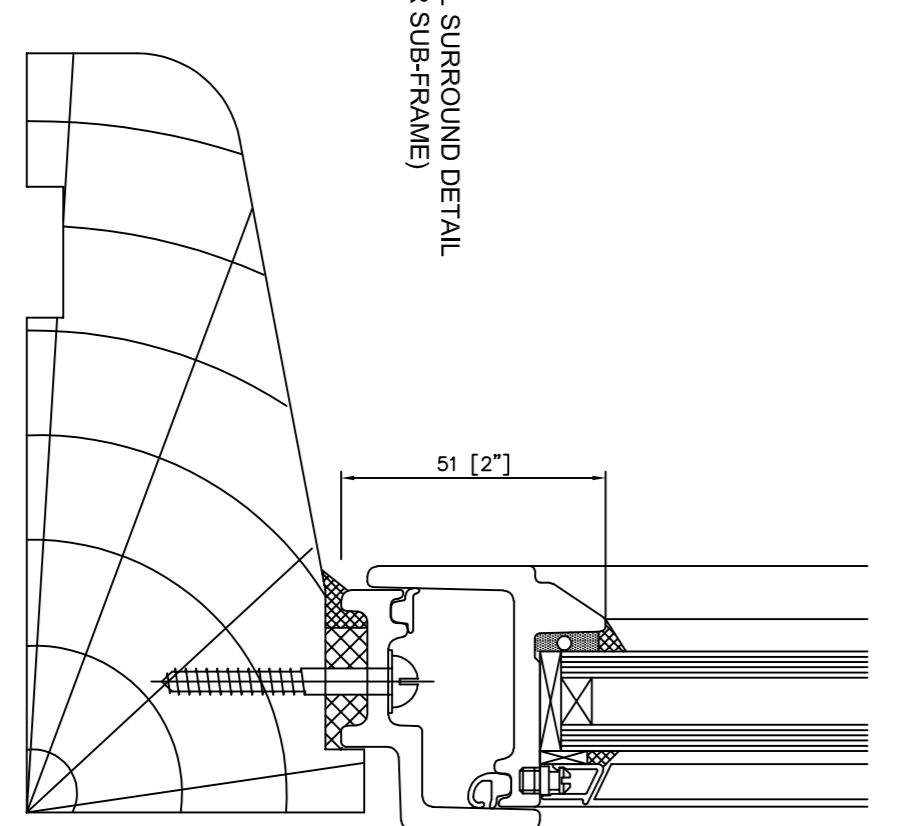


TYPICAL SURROUND DETAIL (DIRECT FIX)

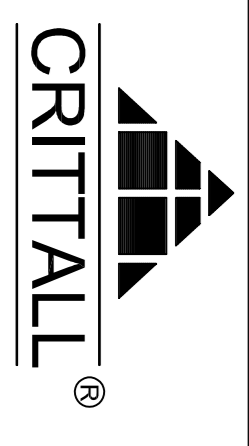


TYPICAL SURROUND DETAIL (BRICK)

TYPICAL SURROUND DETAILS



TYPICAL SURROUND DETAIL (TIMBER SUBFRAME)



CRITTALL®

CRITTALL® IS A REGISTERED TRADE MARK OF CRITTALL WINDOWS LIMITED  
BERKELEY WINDOW FRAME PROFILES™

REF BKY 06/19