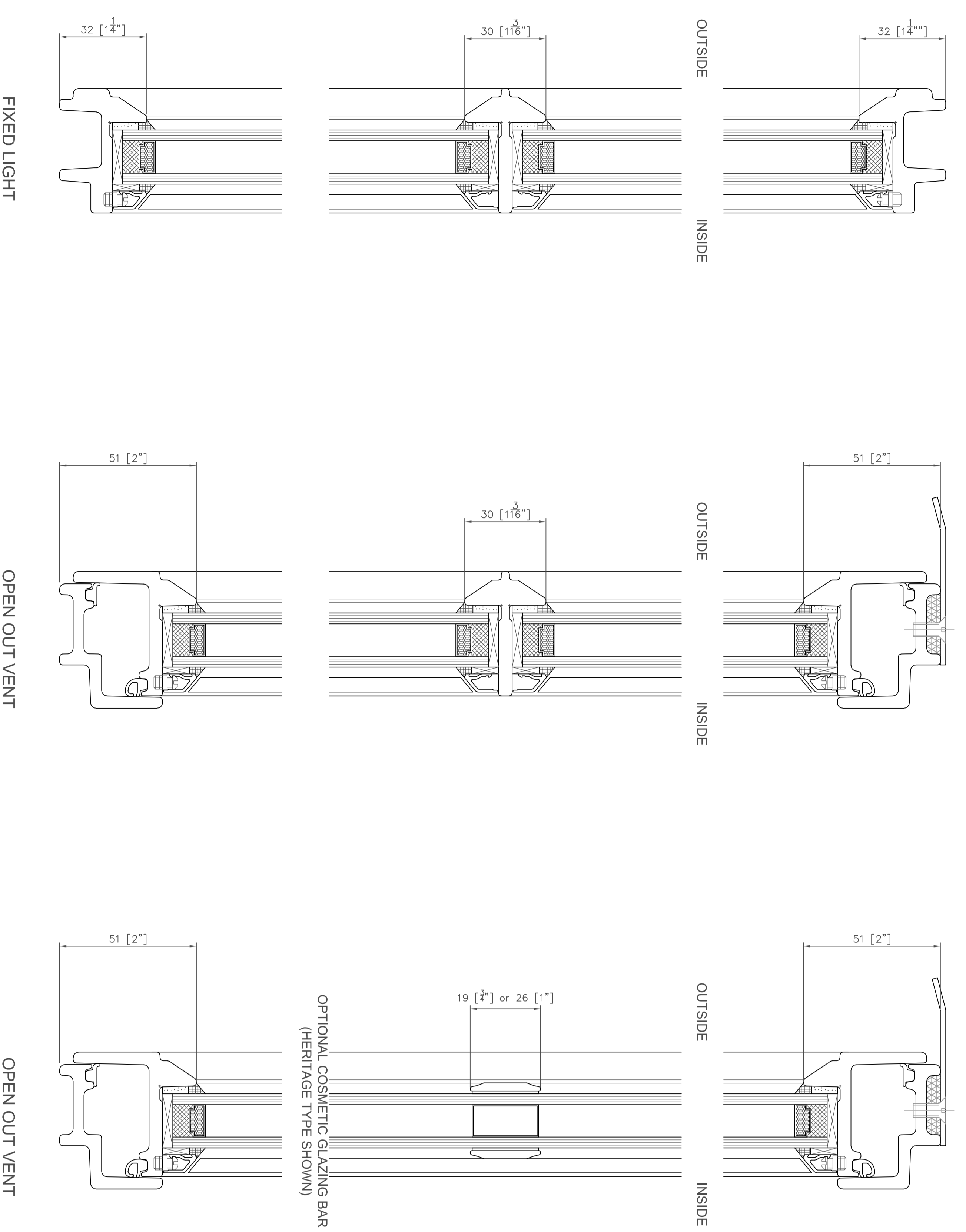
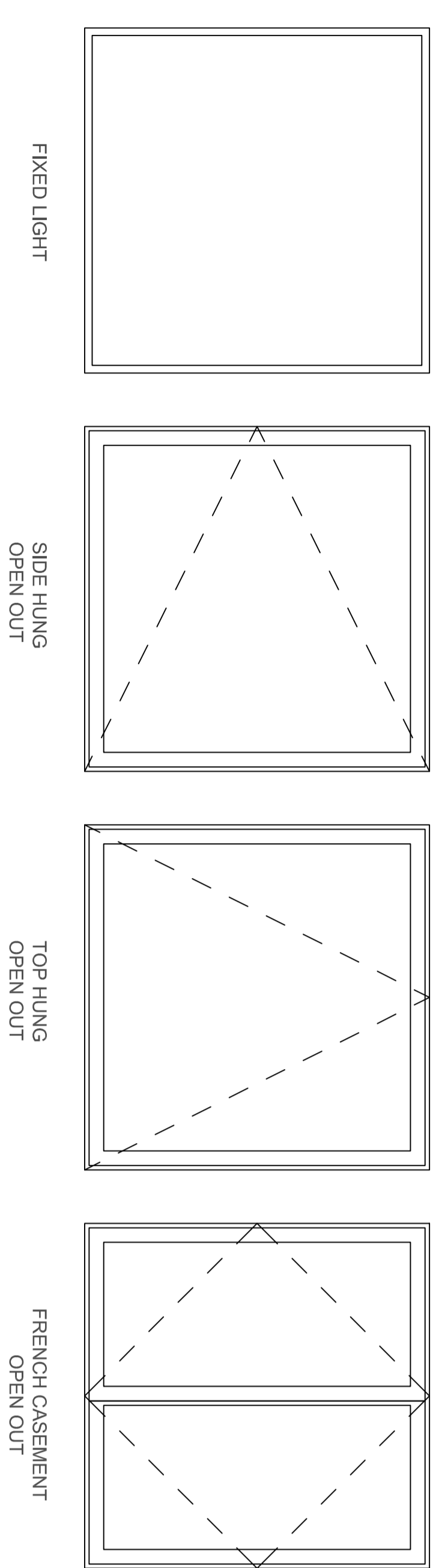
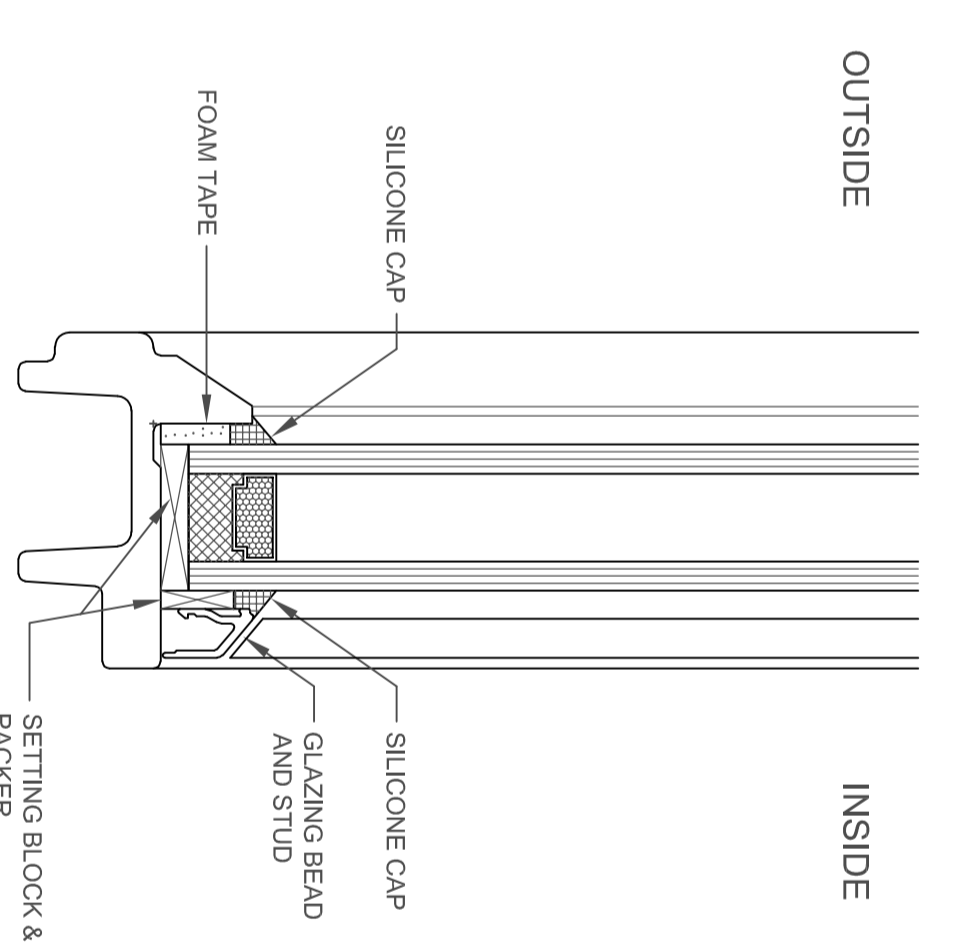
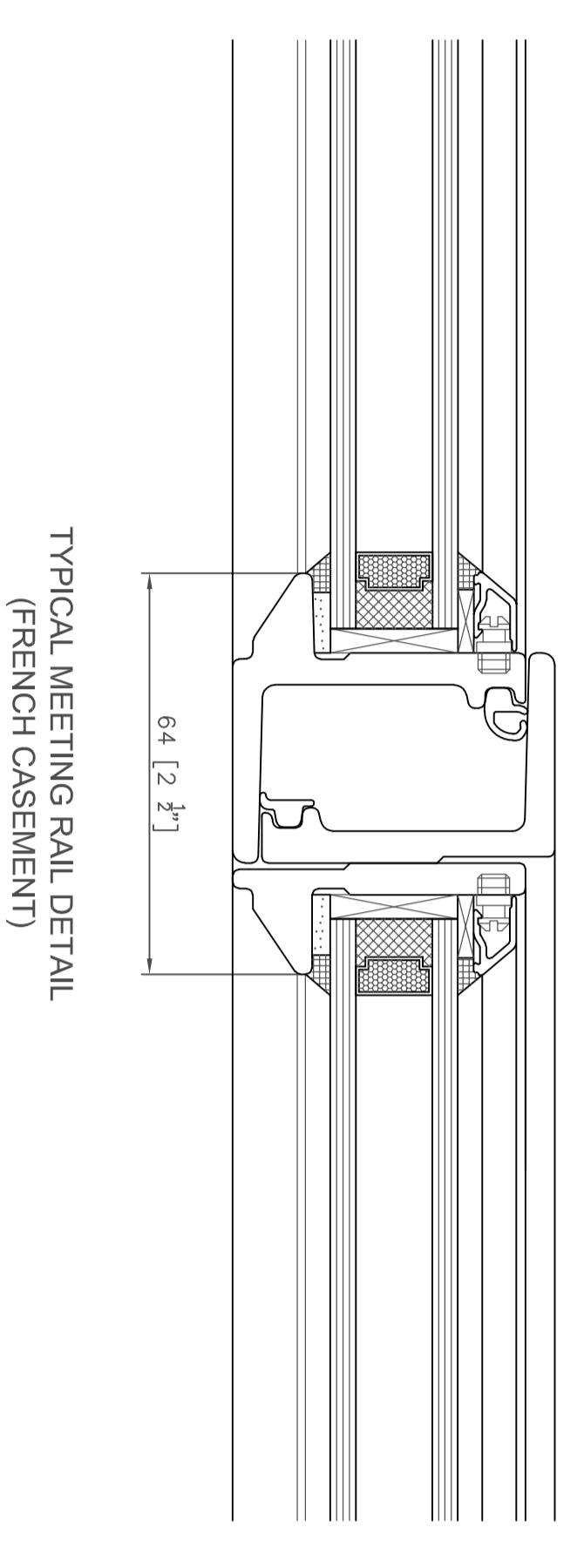


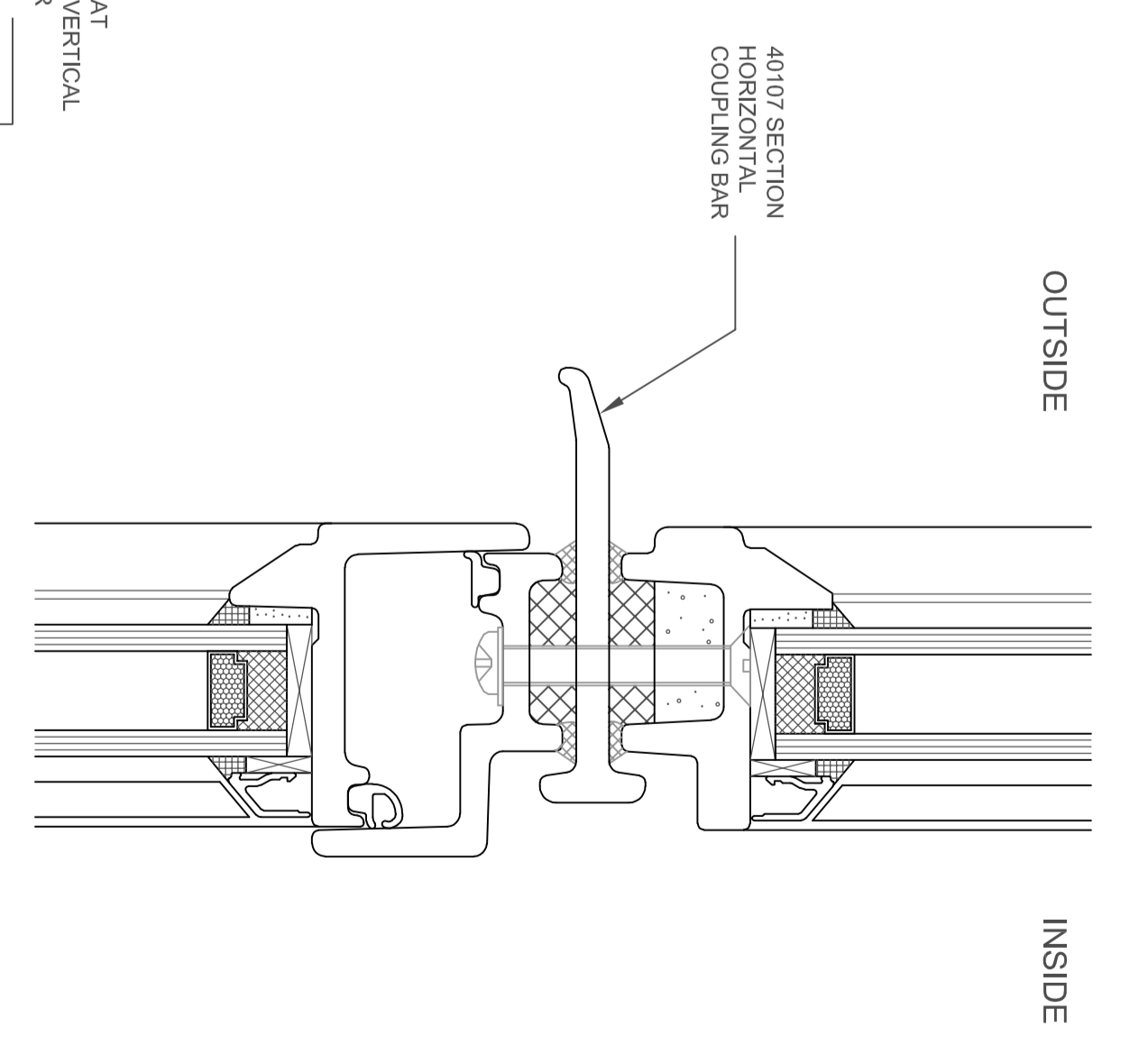
# PRODUCT RANGE



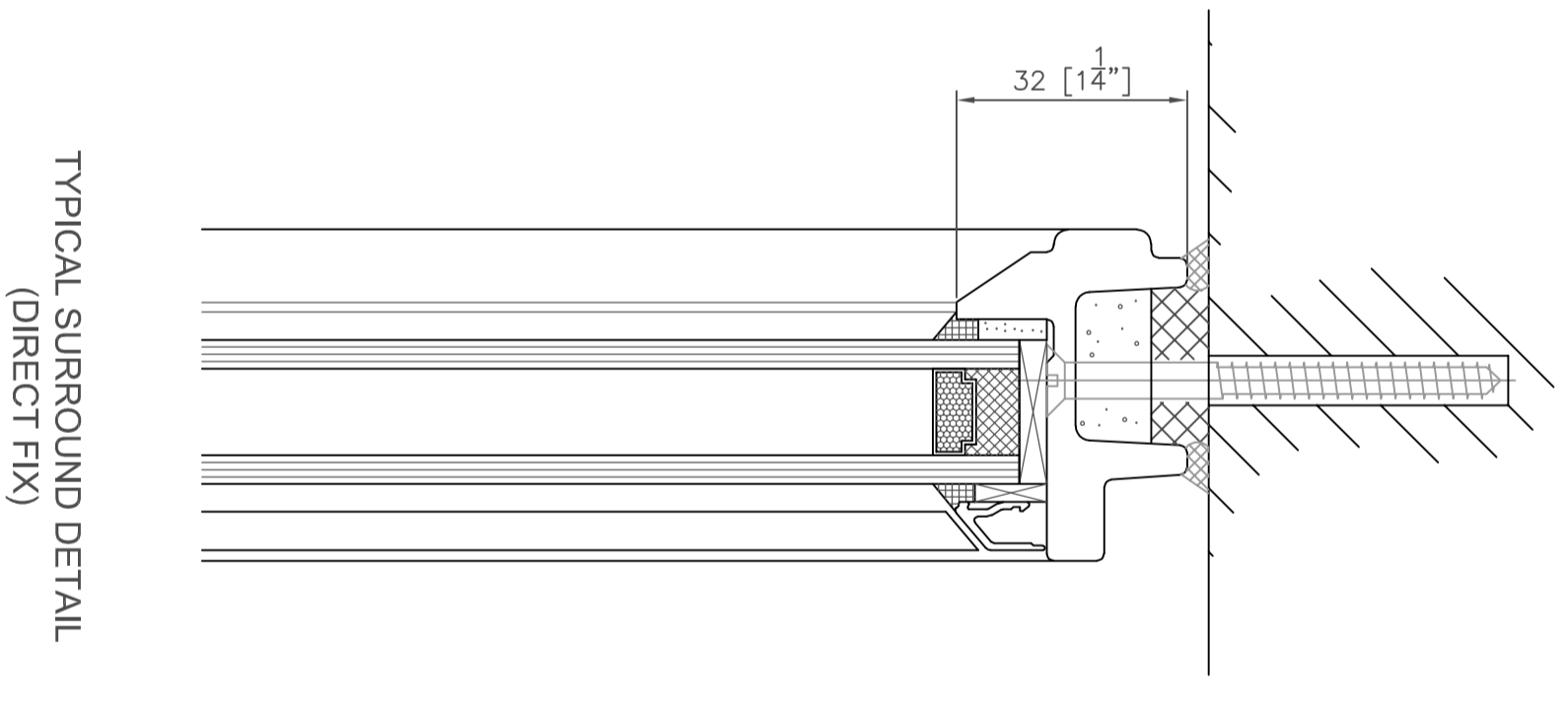
## JAMB DETAILS SIMILAR TO HEAD AND CILL



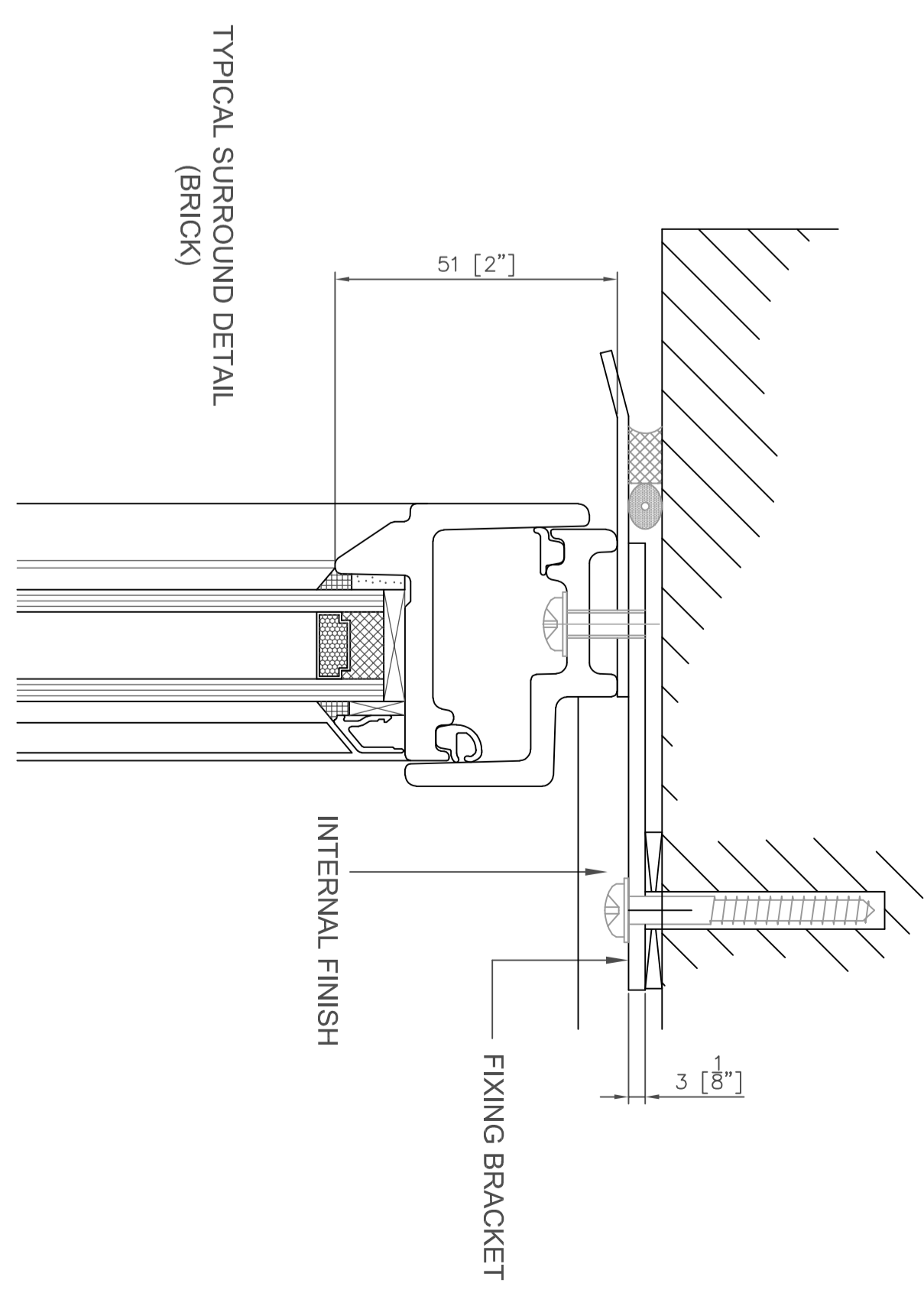
## GLAZING DETAIL



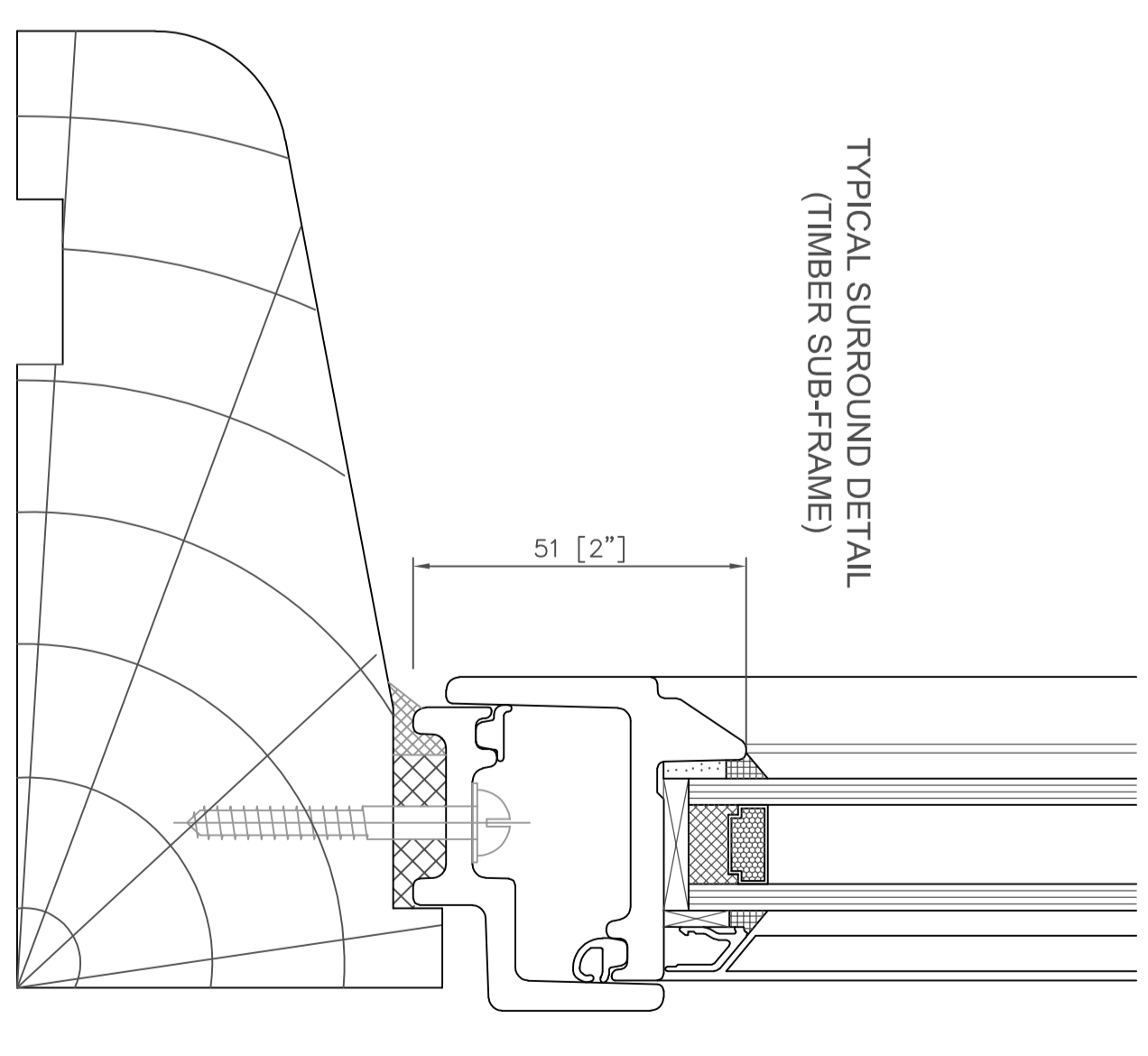
## TYPICAL COUPLING DETAILS



TYPICAL SURROUND DETAIL (DIRECT FIX)



TYPICAL SURROUND DETAIL (TIMBER SUB-FRAME)



## TYPICAL SURROUND DETAILS



CRITTALL®

CRITTALL® IS A REGISTERED TRADE MARK OF CRITTALL WINDOWS LIMITED  
BERKELEY™ WINDOW FRAME PROFILES

REF BKY 02/20