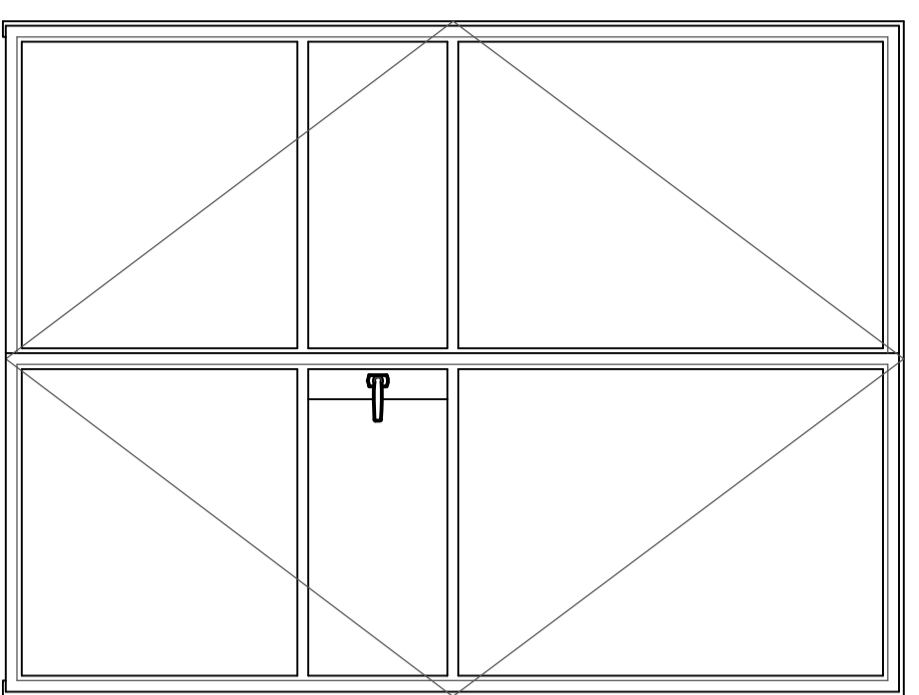
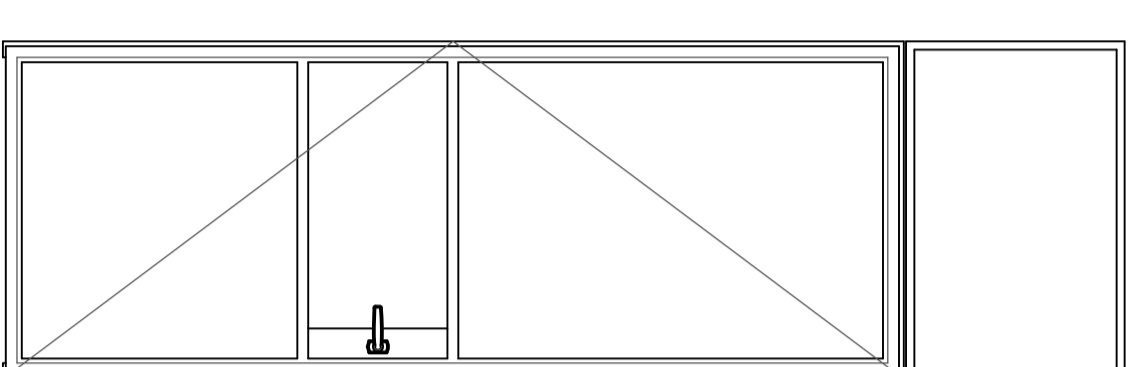


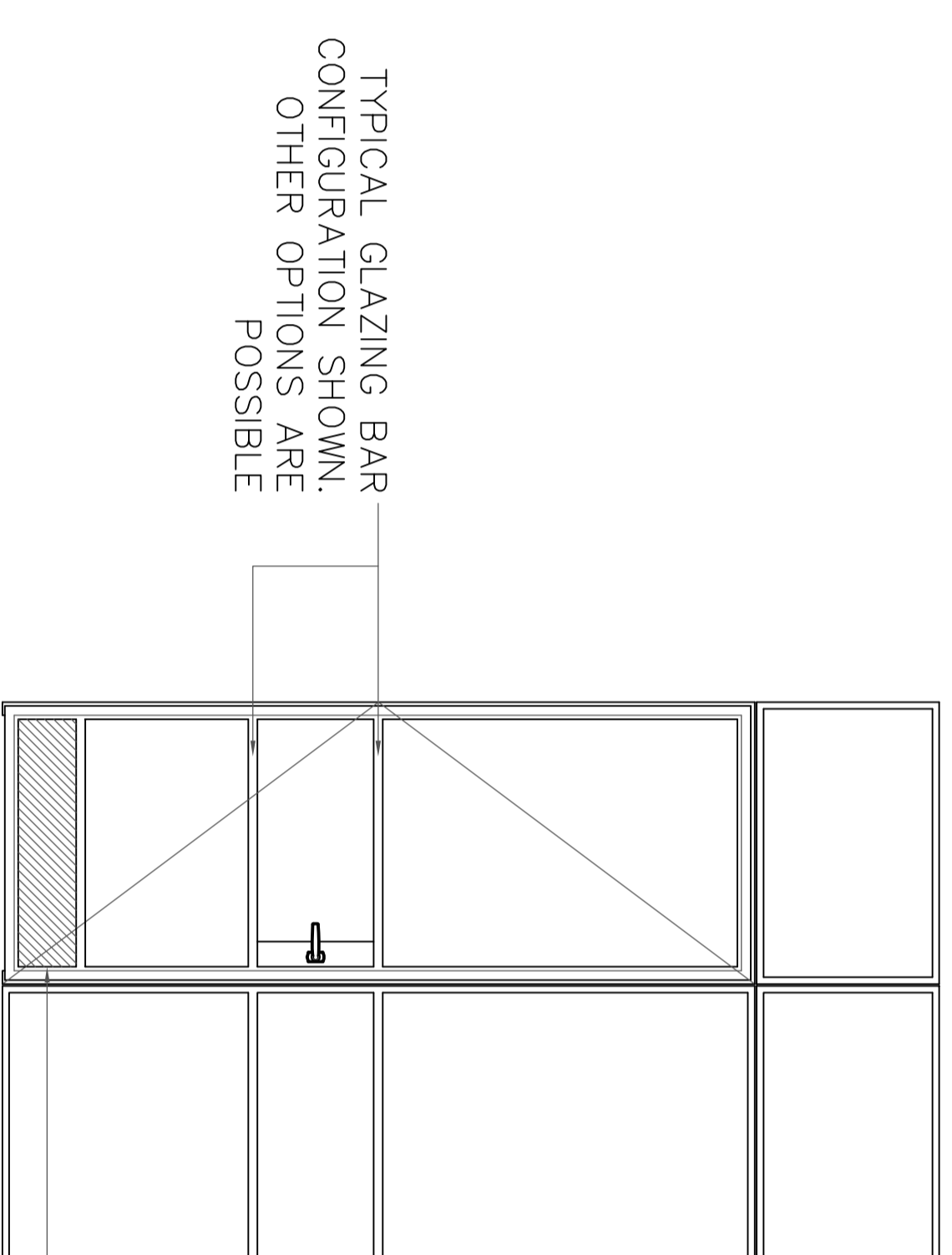
TYPICAL SINGLE DOOR



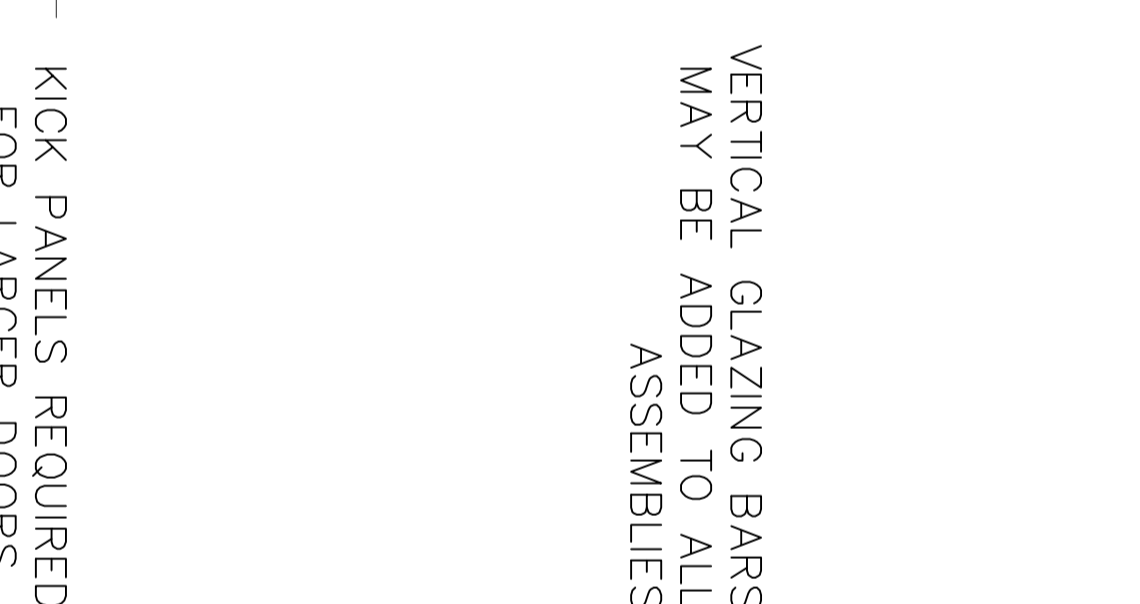
TYPICAL DOUBLE DOOR



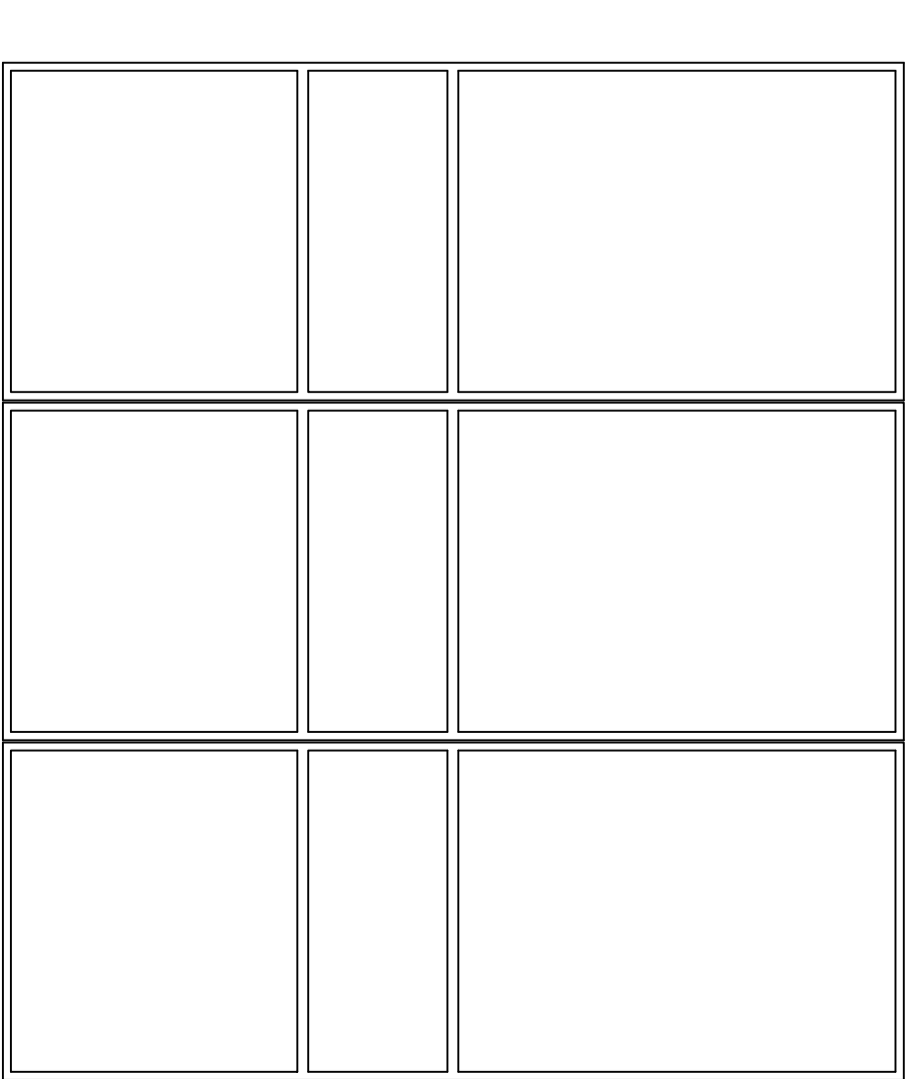
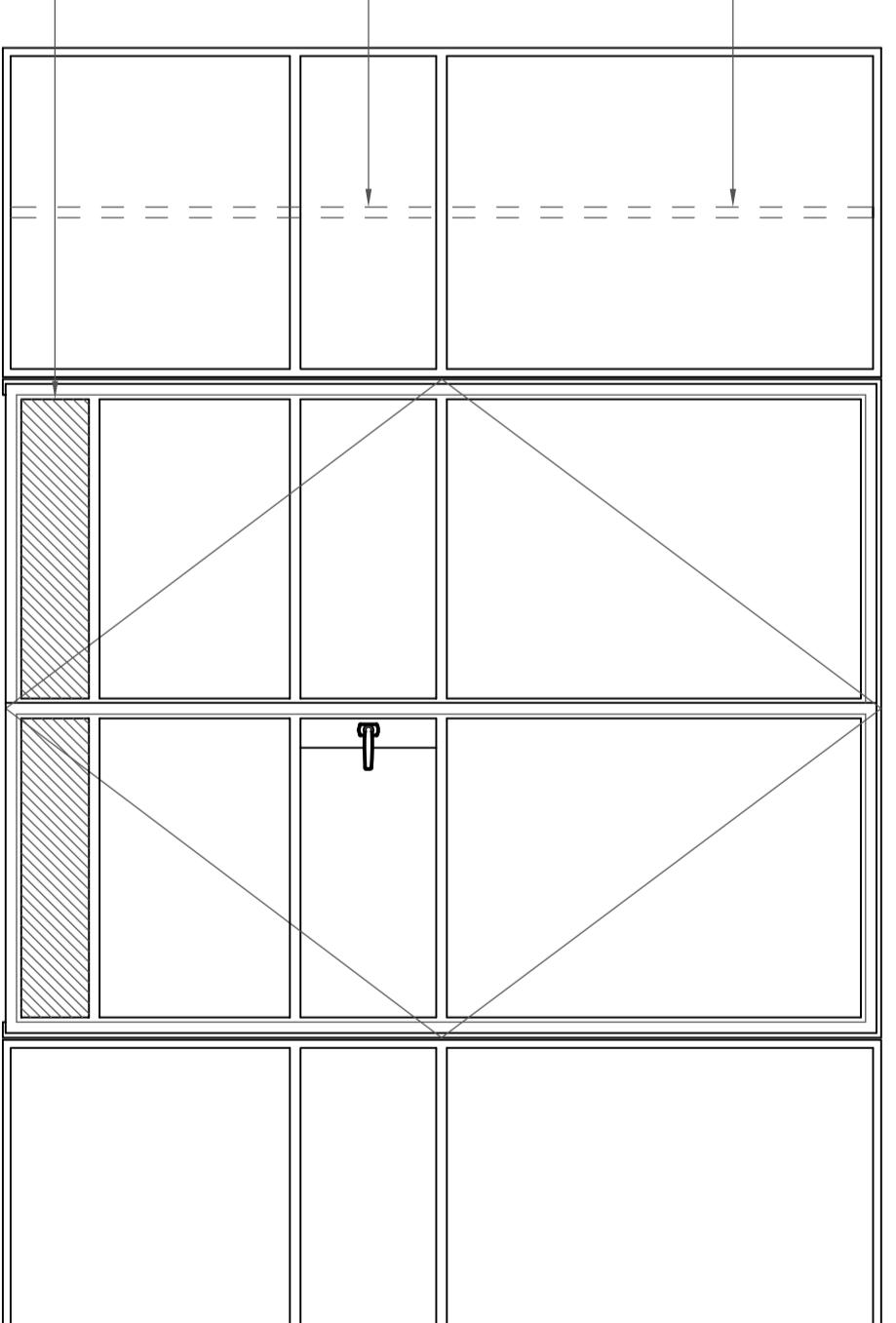
TYPICAL SINGLE DOOR WITH TOP-LIGHT



TYPICAL SINGLE DOOR WITH SIDE-LIGHT AND TOP-LIGHTS

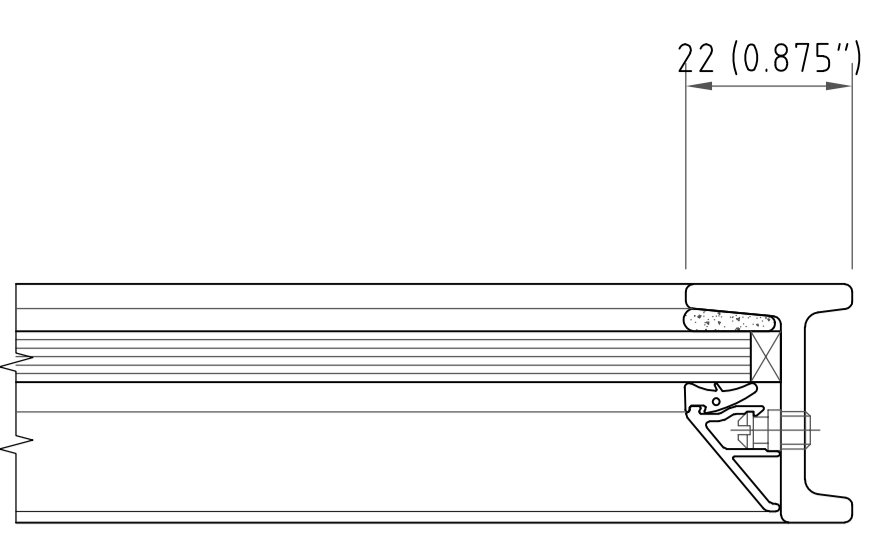


TYPICAL DOUBLE DOOR WITH SIDE-LIGHTS ('BELGIUM DOOR')

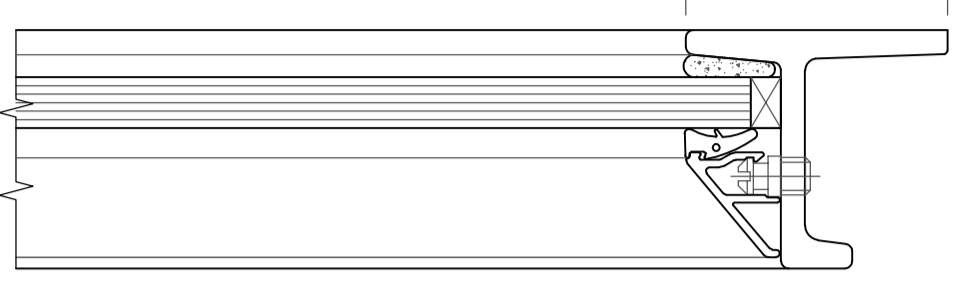


TYPICAL FIXED LIGHT SCREEN ASSEMBLY

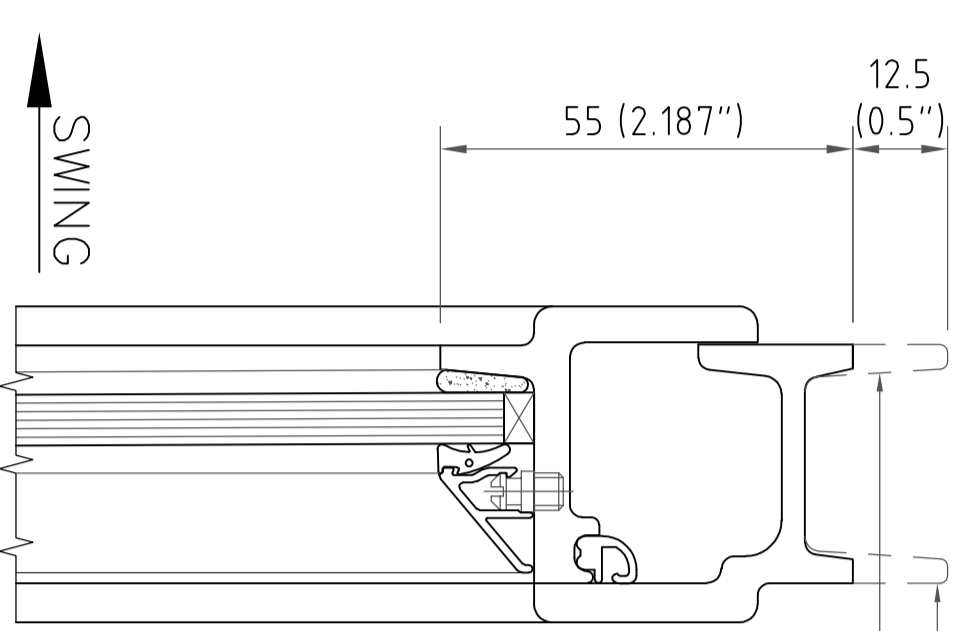
FRAME PROFILES



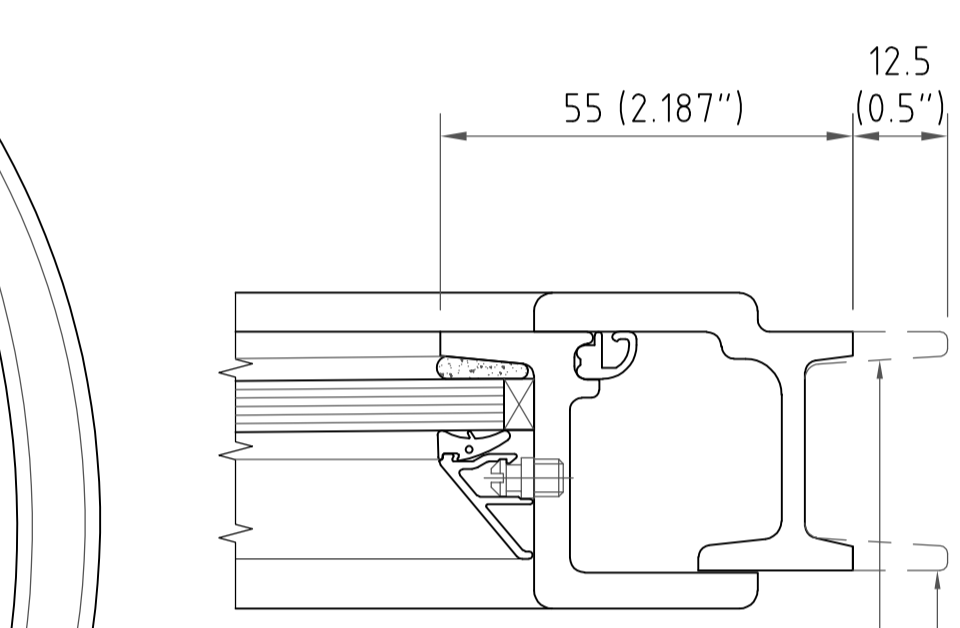
FIXED LIGHT FRAME (USE AT HEAD, SILL AND/OR JAMBS)



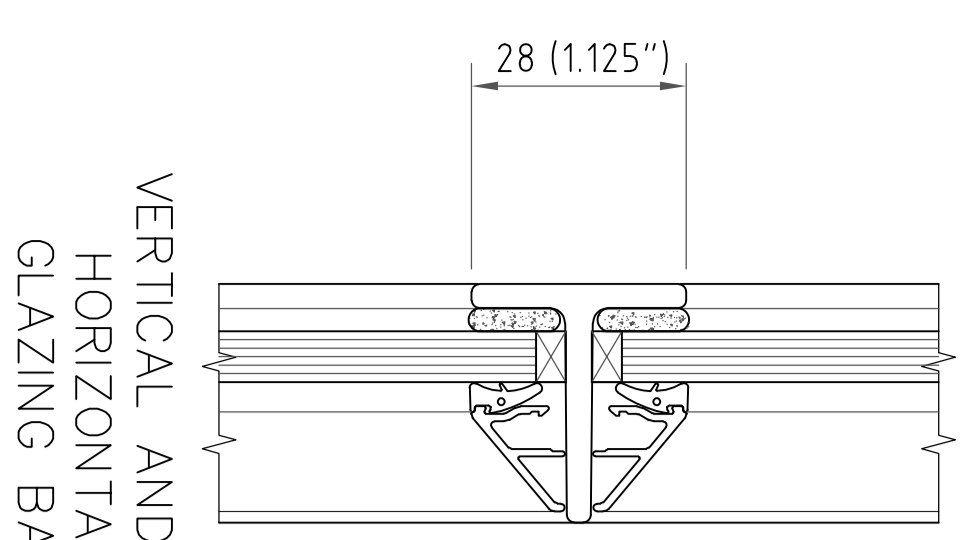
FIXED LIGHT FRAME (USE AT HEAD, SILL AND/OR JAMBS)



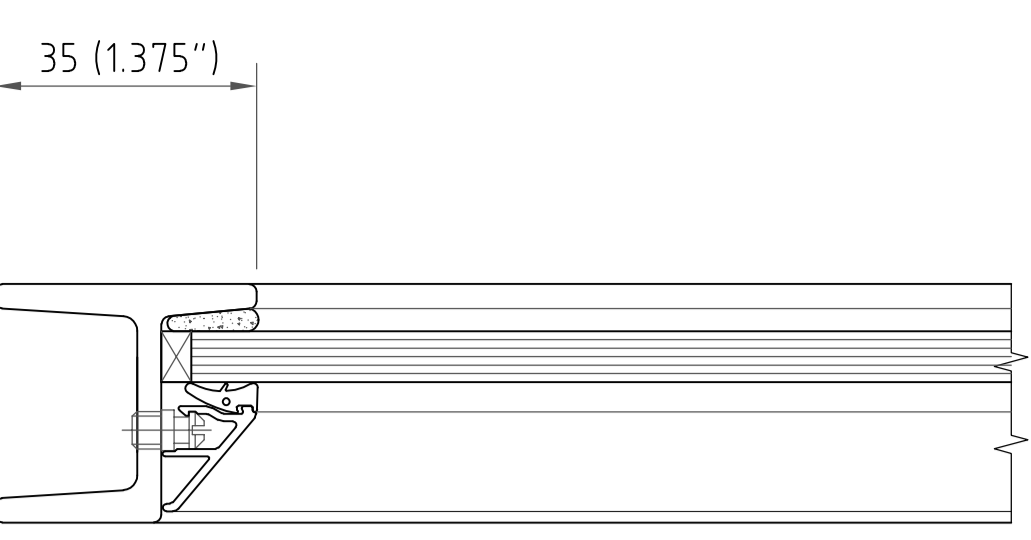
DOOR FRAME (USE AT HEAD AND/OR JAMBS)



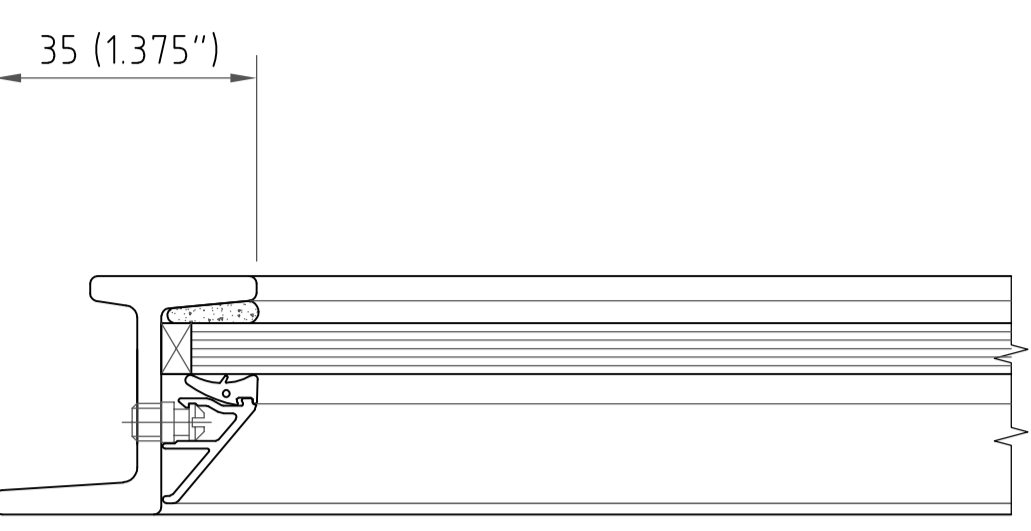
DOOR FRAME (USE AT HEAD AND/OR JAMBS)



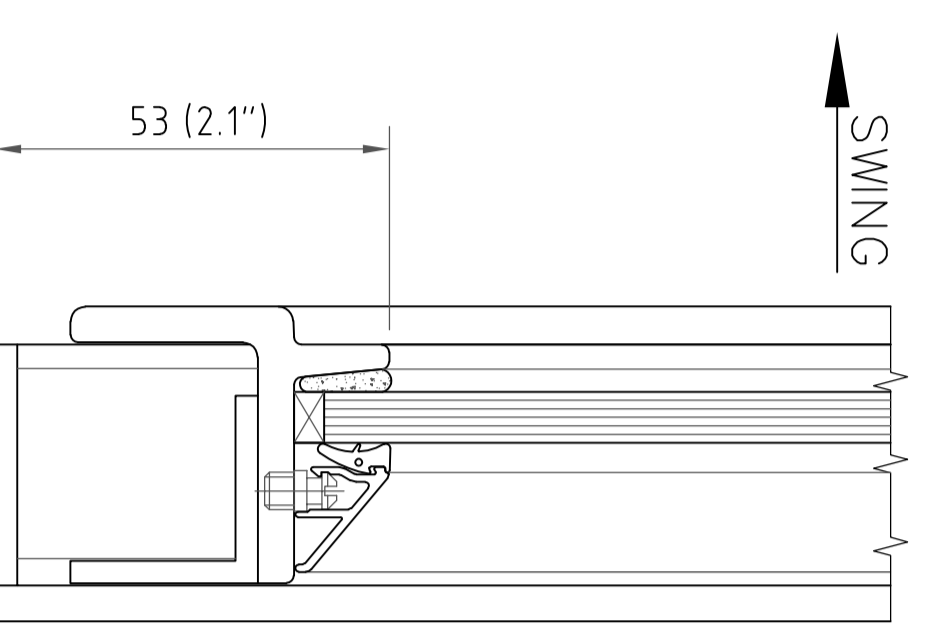
VERTICAL AND/OR HORIZONTAL GLAZING BAR



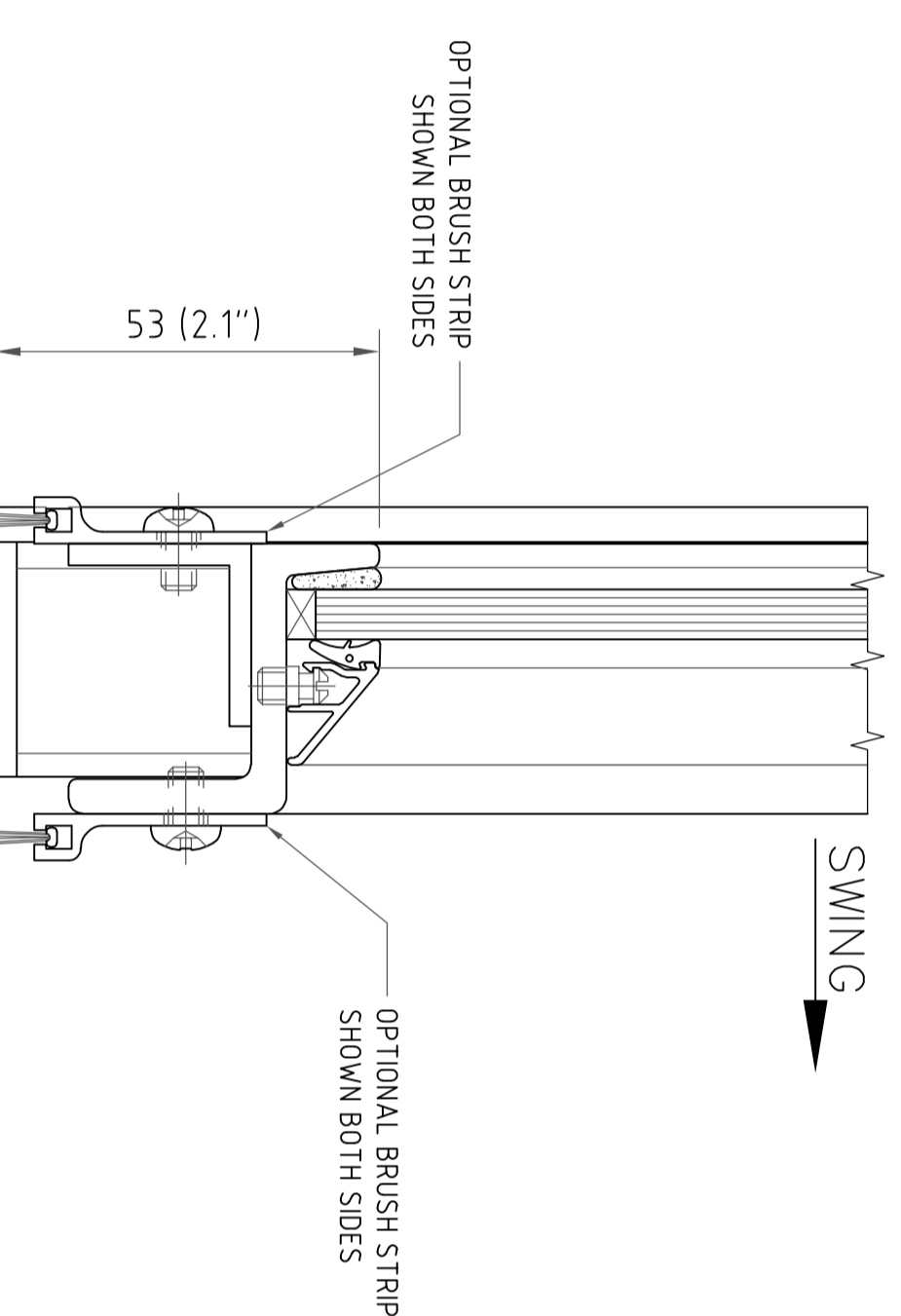
FIXED LIGHT FRAME (USE AT SILL, HEAD AND/OR JAMBS)



FIXED LIGHT FRAME (USE AT SILL, HEAD AND/OR JAMBS)

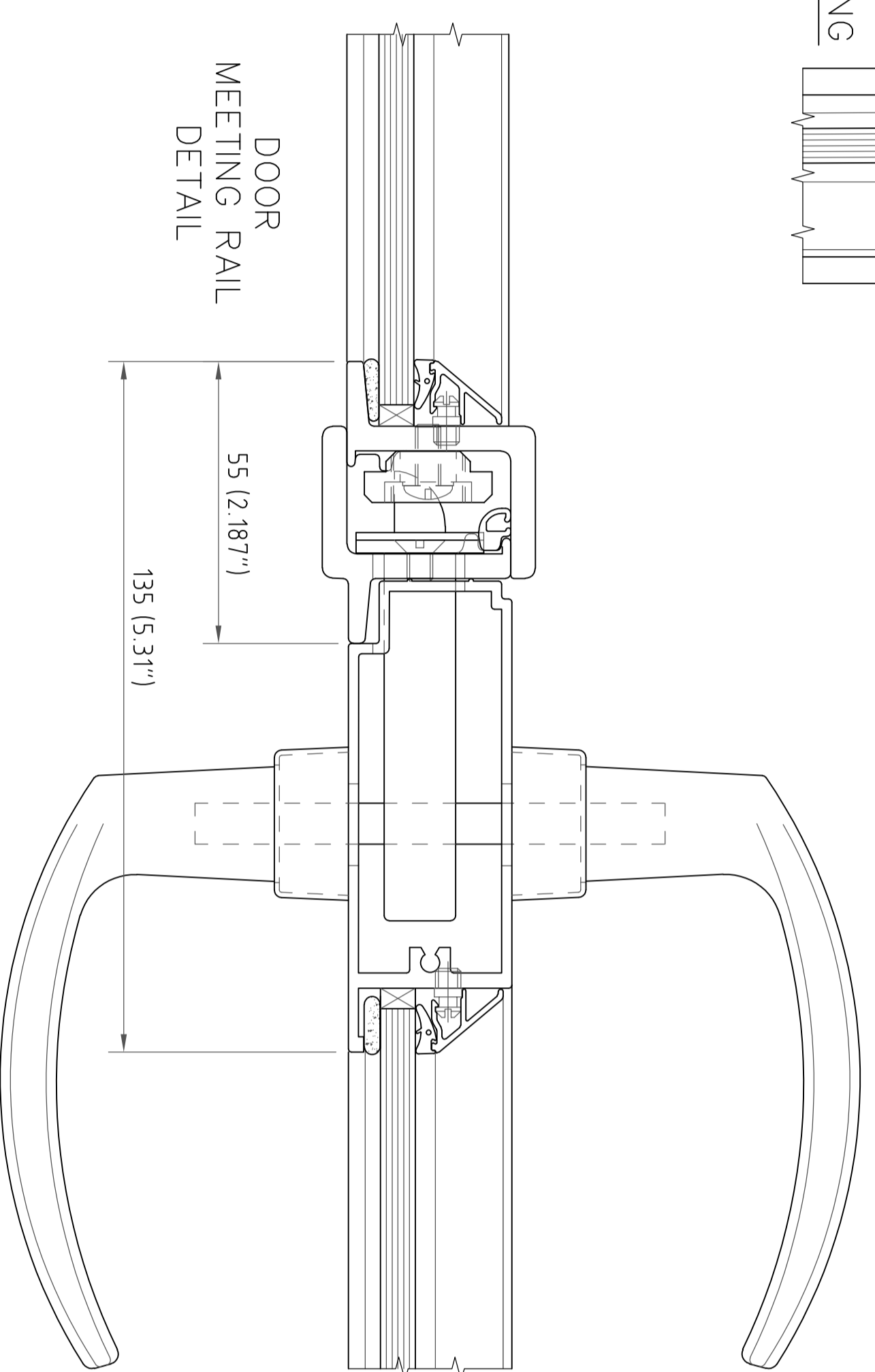


DOOR SILL



DOOR SILL

SEE CORPORATE W20 DRAWING FOR COSMETIC GLAZING BAR OPTIONS



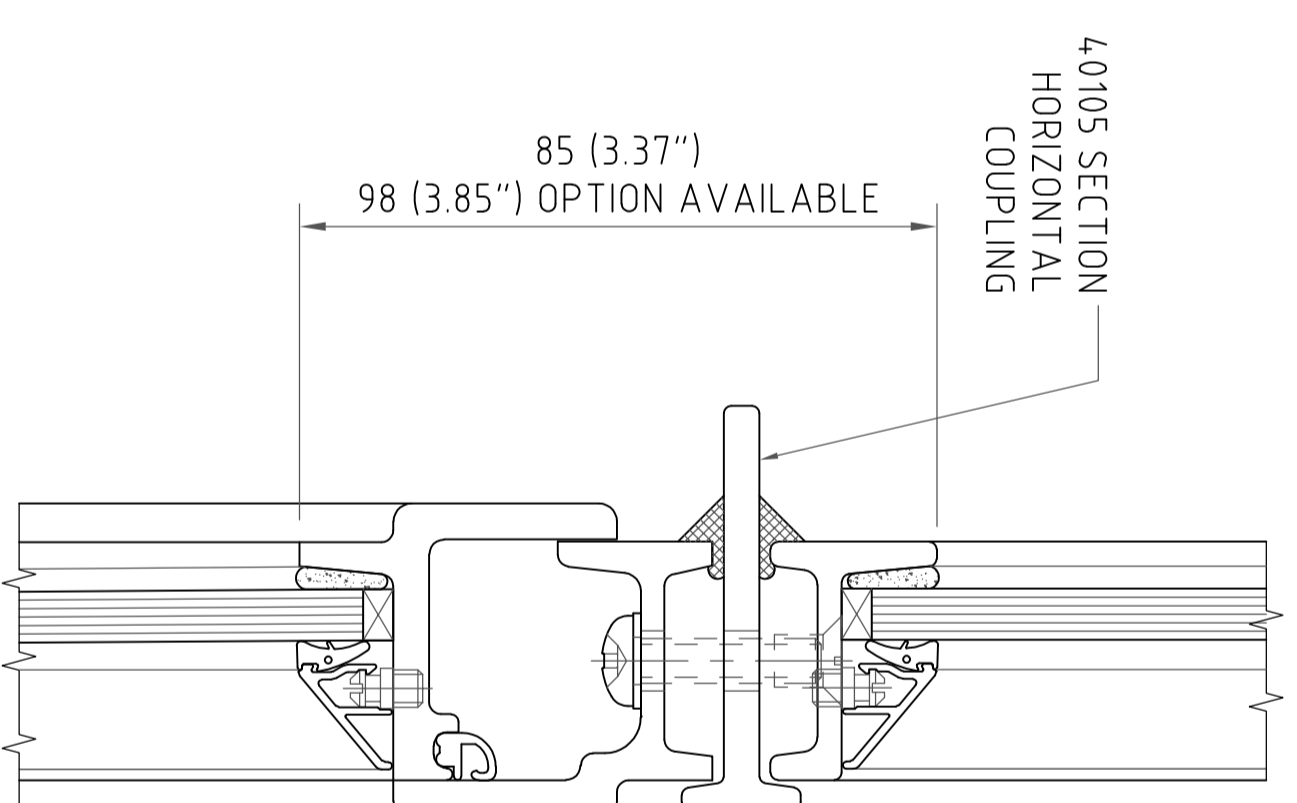
DOOR MEETING RAIL DETAIL

TYPICAL GLAZING BAR CONFIGURATION SHOWN. OTHER OPTIONS ARE POSSIBLE

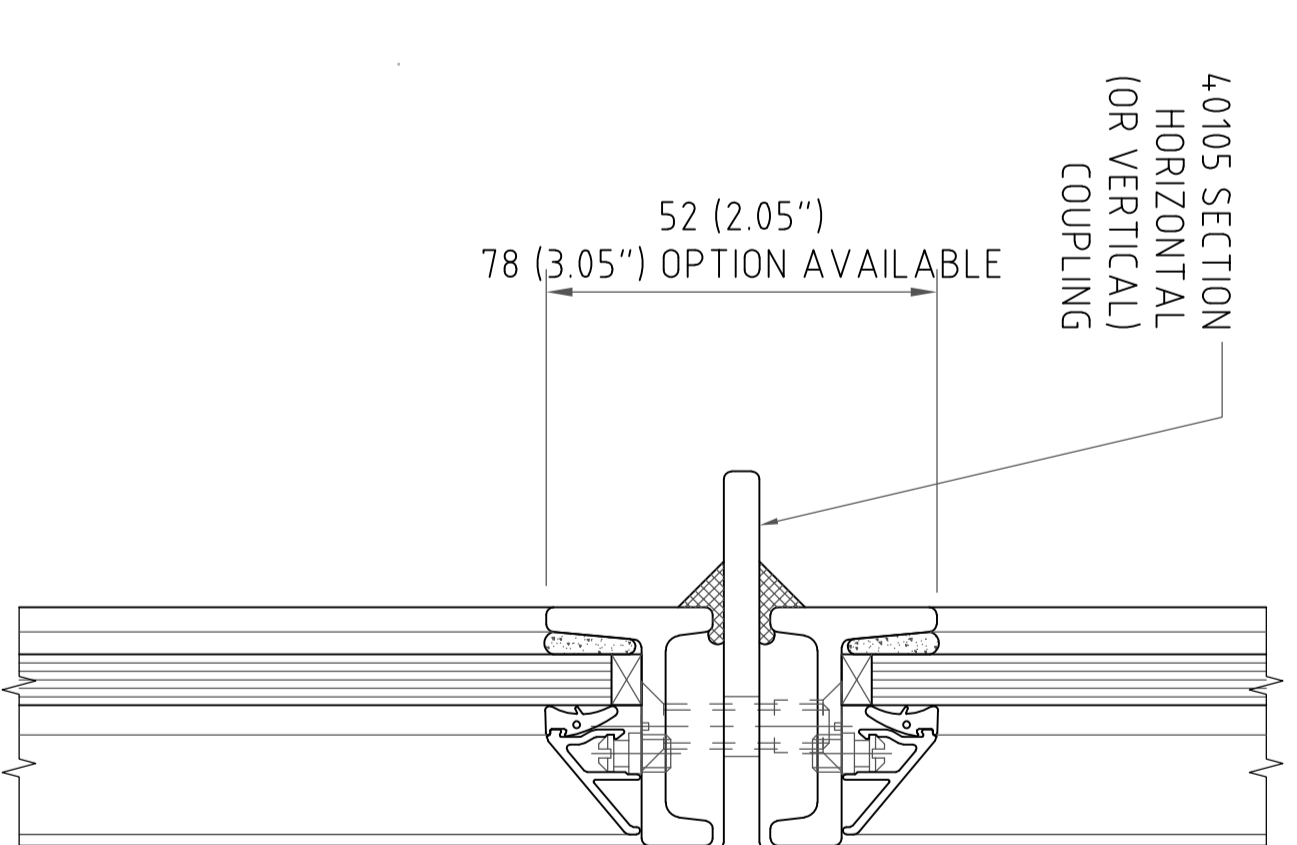
VERTICAL GLAZING BARS MAY BE ADDED TO ALL ASSEMBLIES

KICK PANELS REQUIRED FOR LARGER DOORS

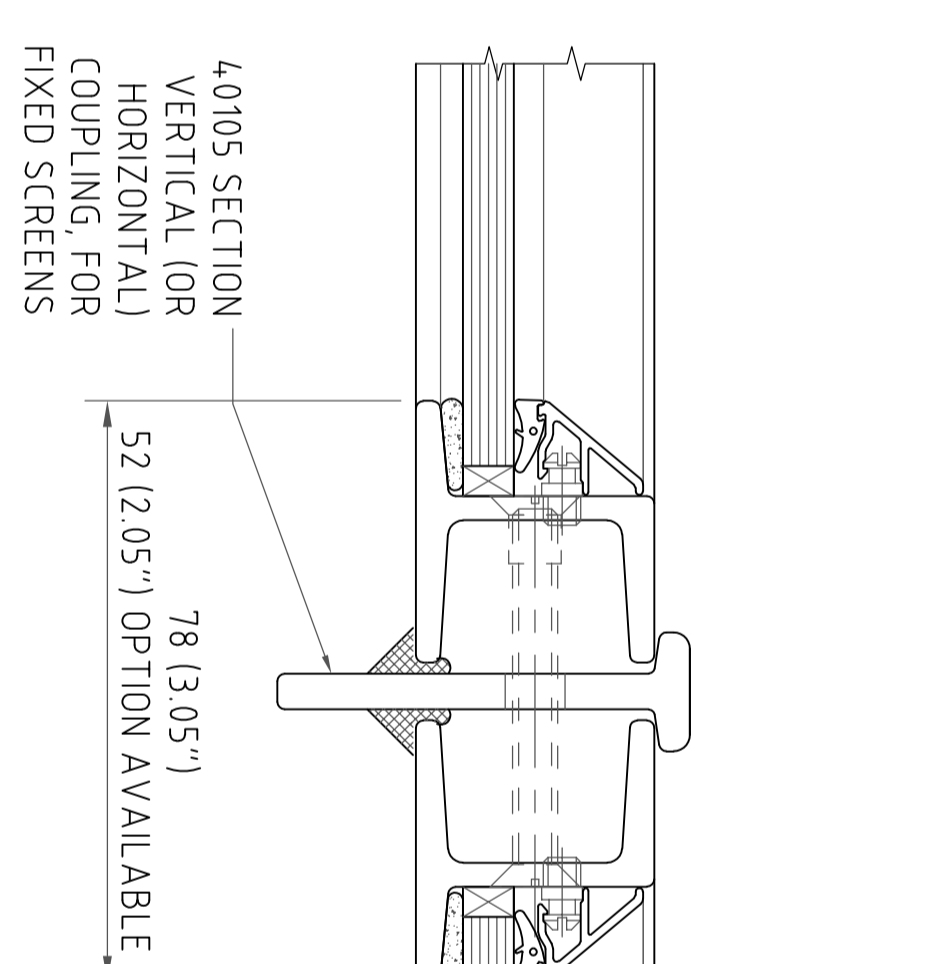
TYPICAL COUPLING DETAILS



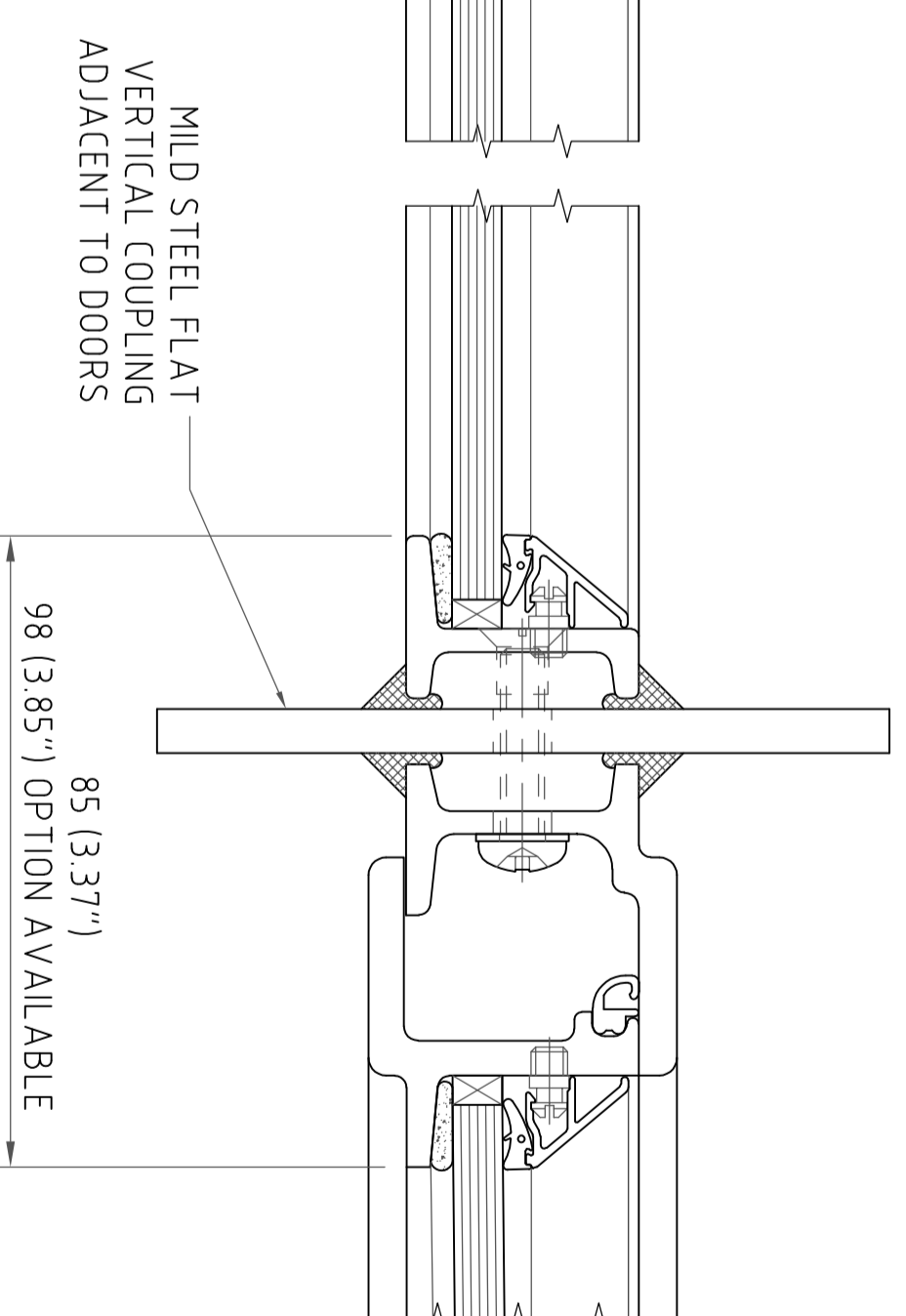
4005 SECTION HORIZONTAL COUPLING



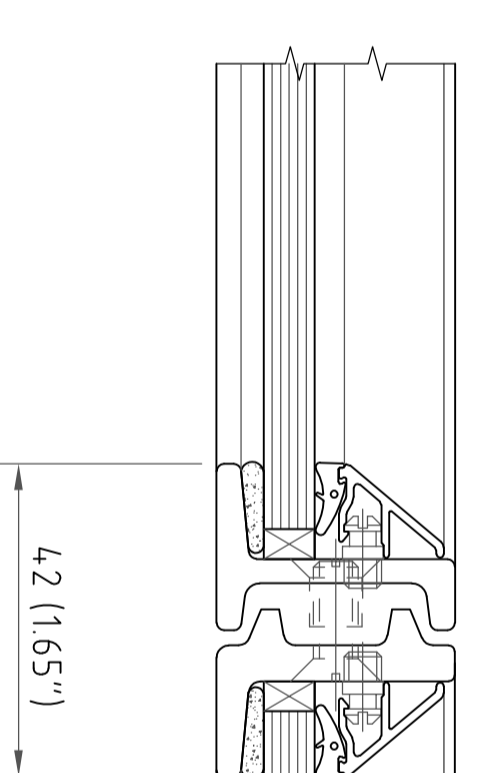
4005 SECTION HORIZONTAL (OR VERTICAL) COUPLING



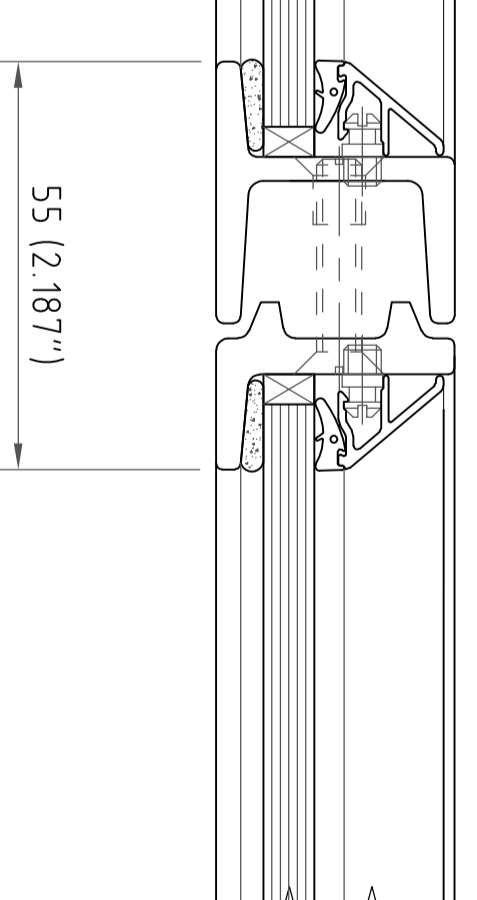
4005 SECTION VERTICAL (OR HORIZONTAL) COUPLING FOR FIXED SCREENS



MILD STEEL FLAT VERTICAL COUPLING ADJACENT TO DOORS

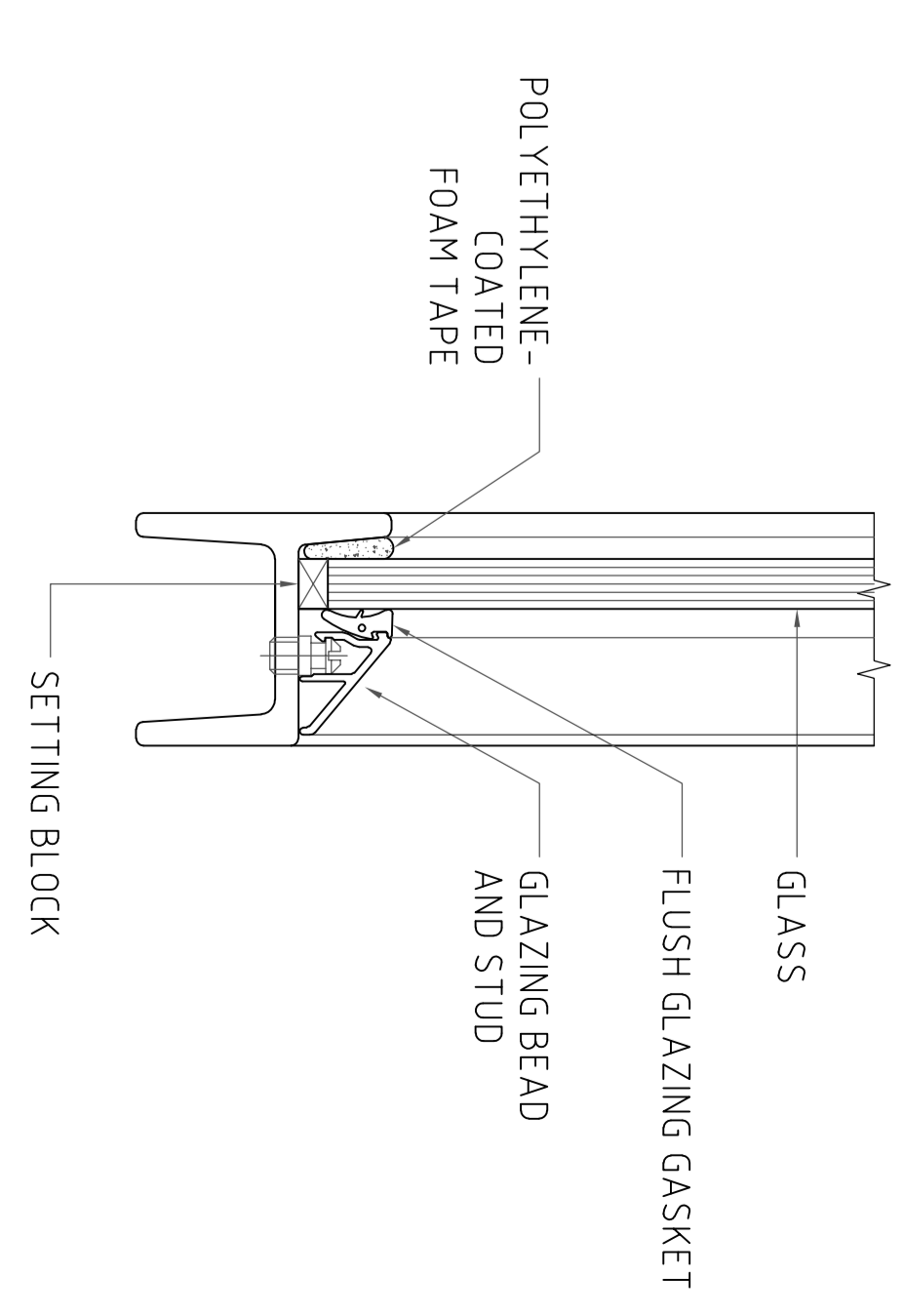


42 (1.65")



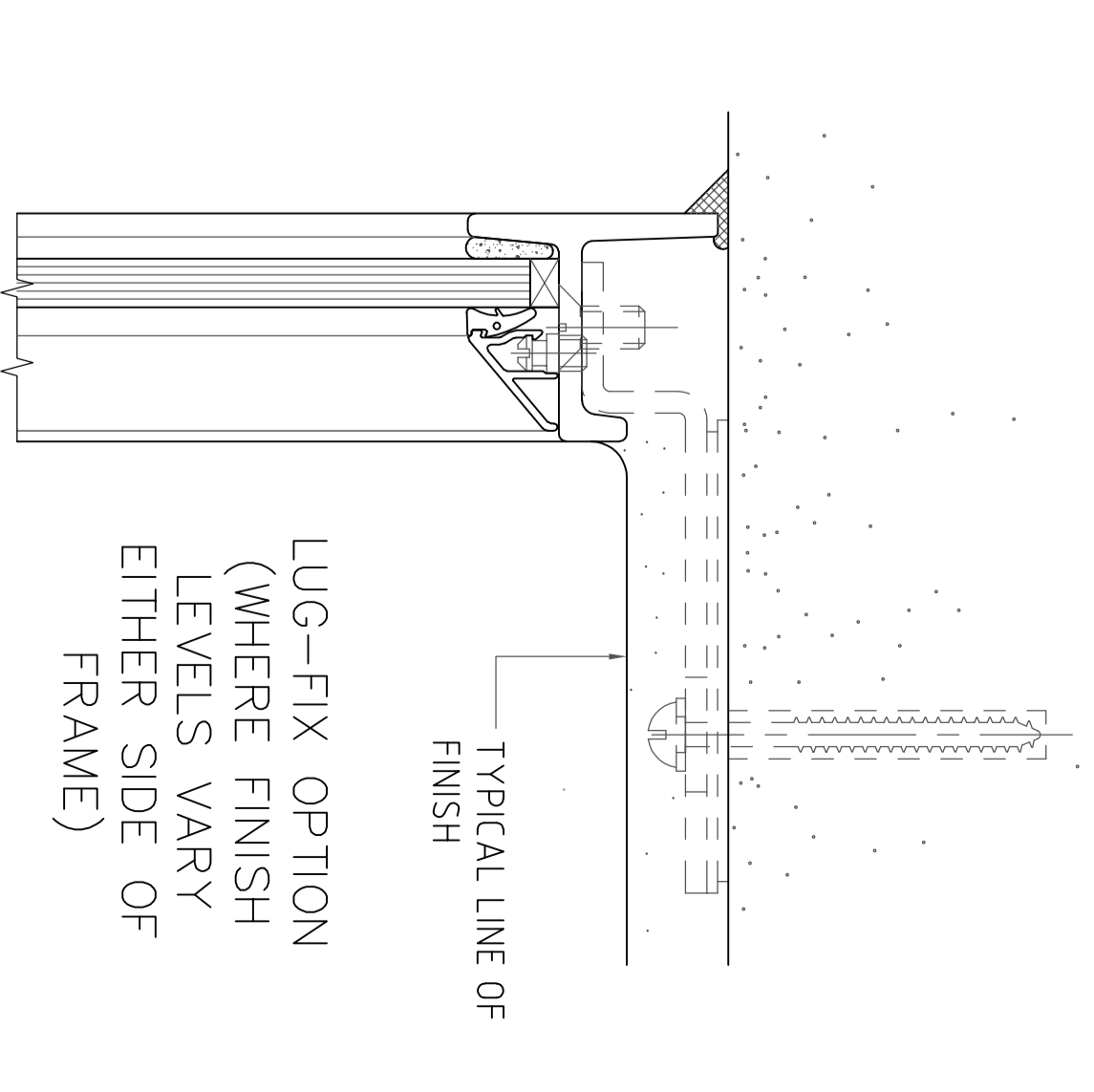
55 (2.187")

DIRECT COUPLE DETAILS (FOR LOW-LOAD, FIXED SCREEN COUPLINGS ONLY)

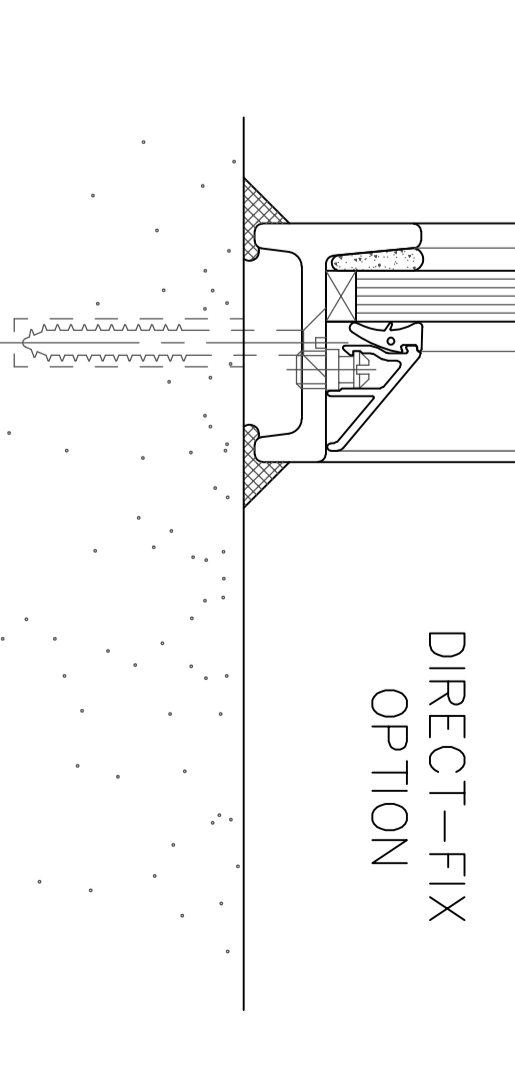


TYPICAL GLAZING DETAIL

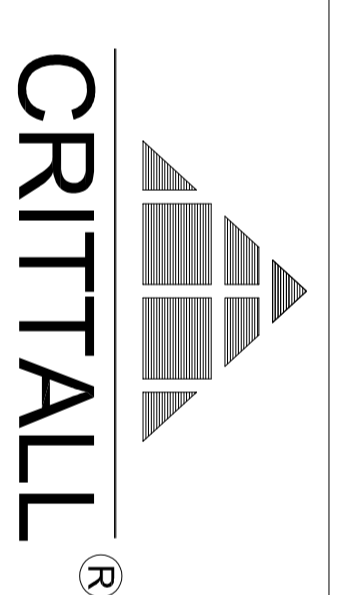
TYPICAL FIXING DETAILS



LUG-FIX OPTION (WHERE FINISH LEVELS VARY EITHER SIDE OF FRAME)



DIRECT-FIX OPTION



CRITTALL®

INNERVISION™ SCREENS
GENERAL ARRANGEMENT

CRITTALL® IS A REGISTERED TRADE MARK OF CRITTALL WINDOWS LIMITED