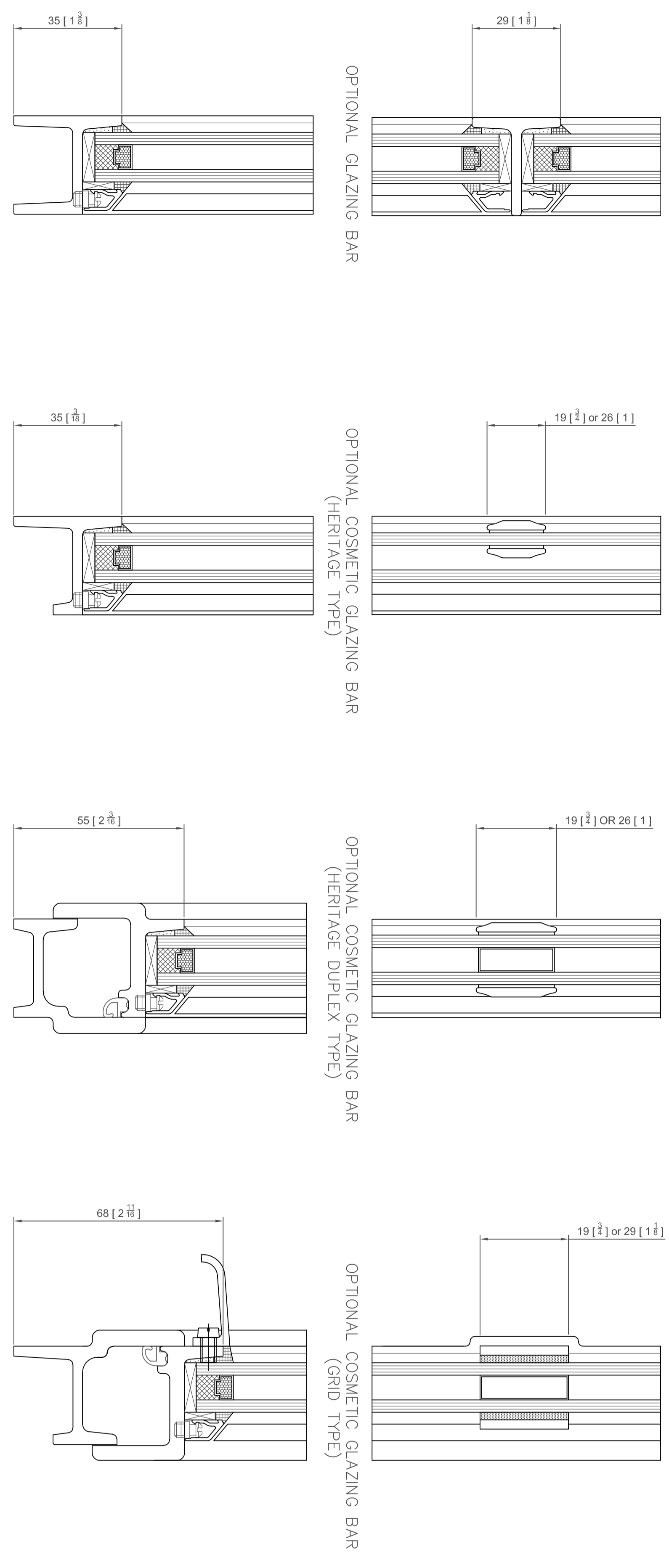
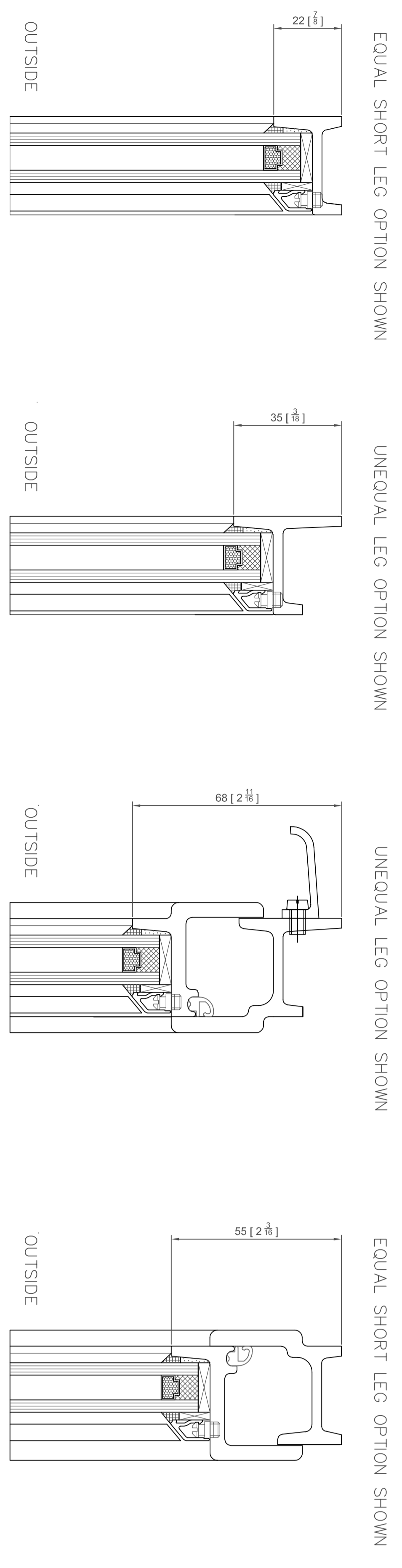
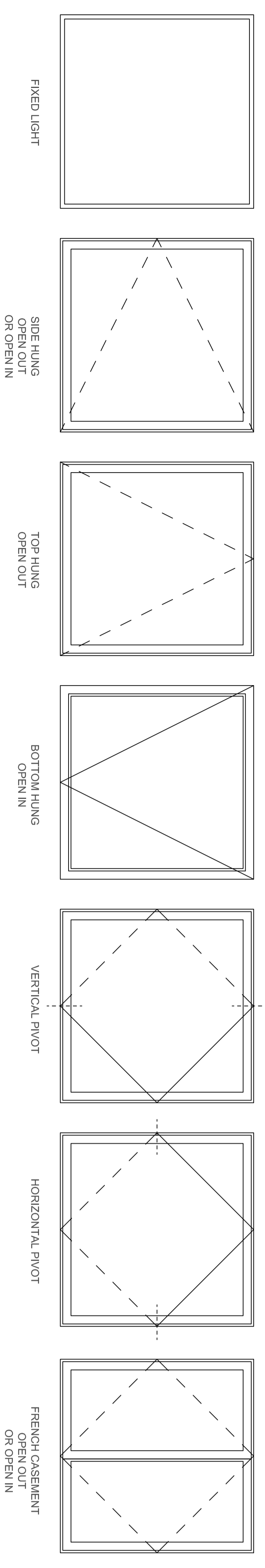
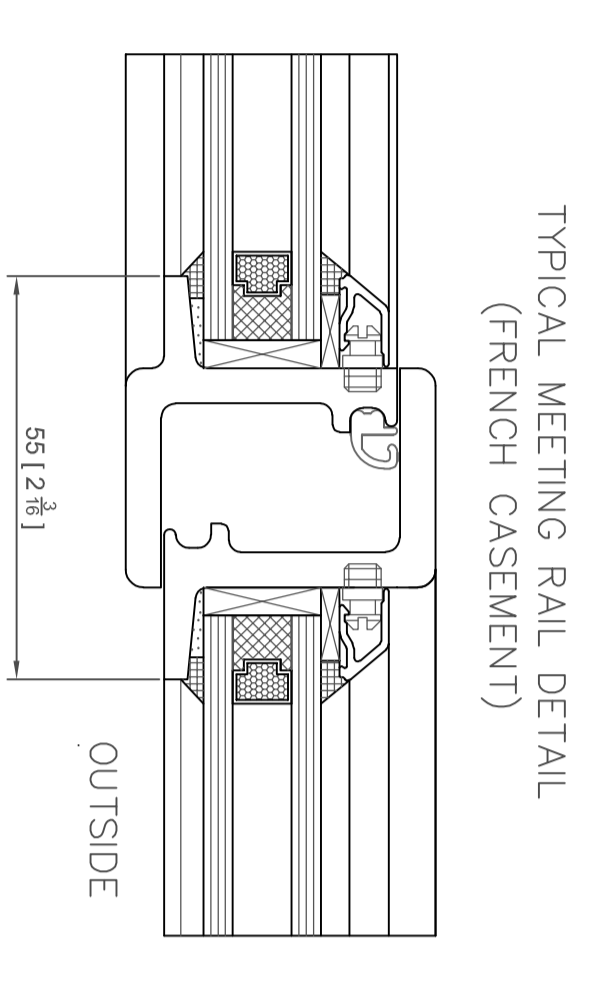


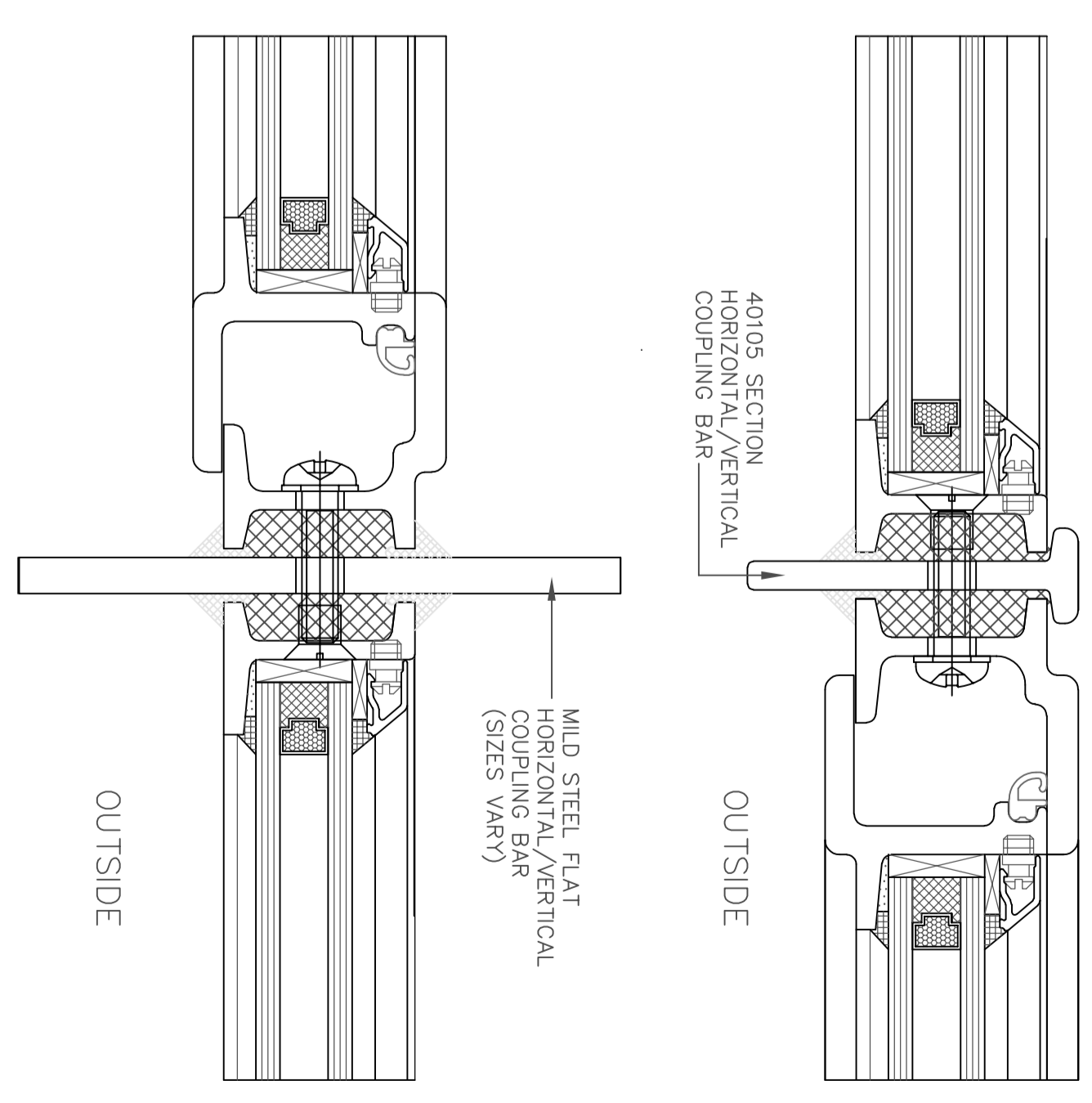
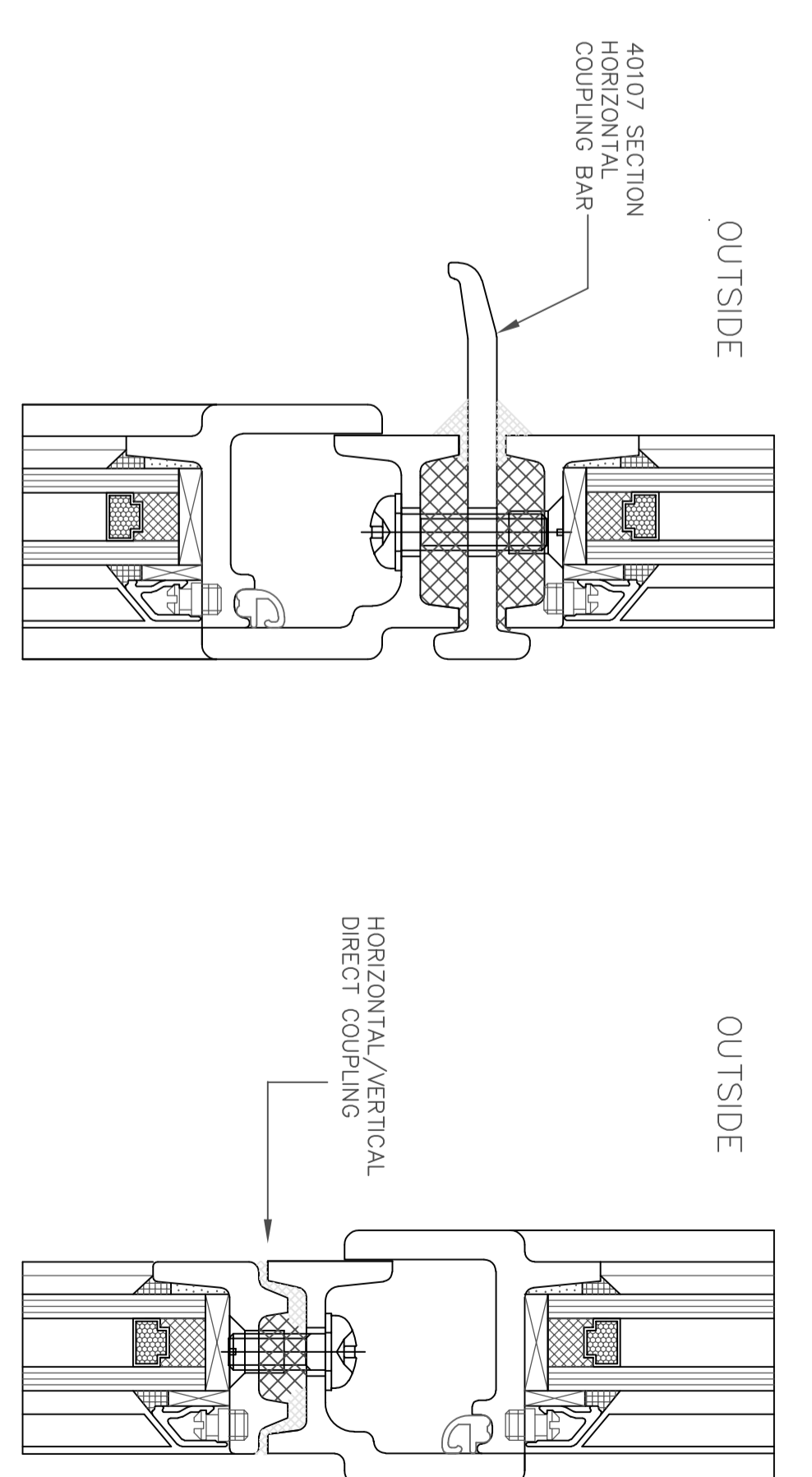
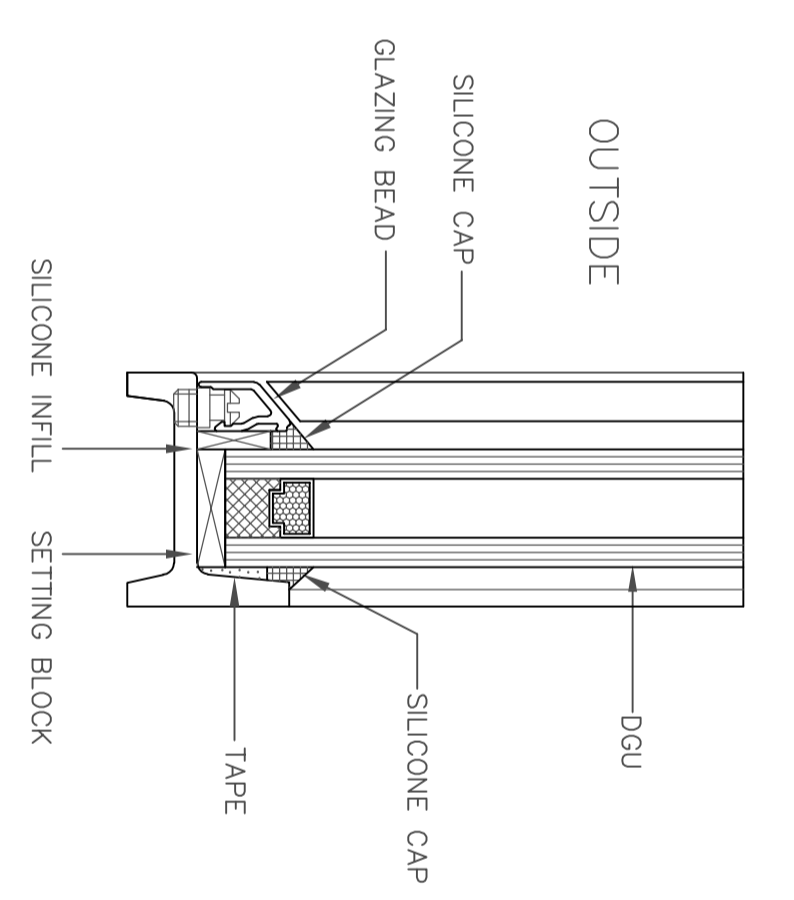
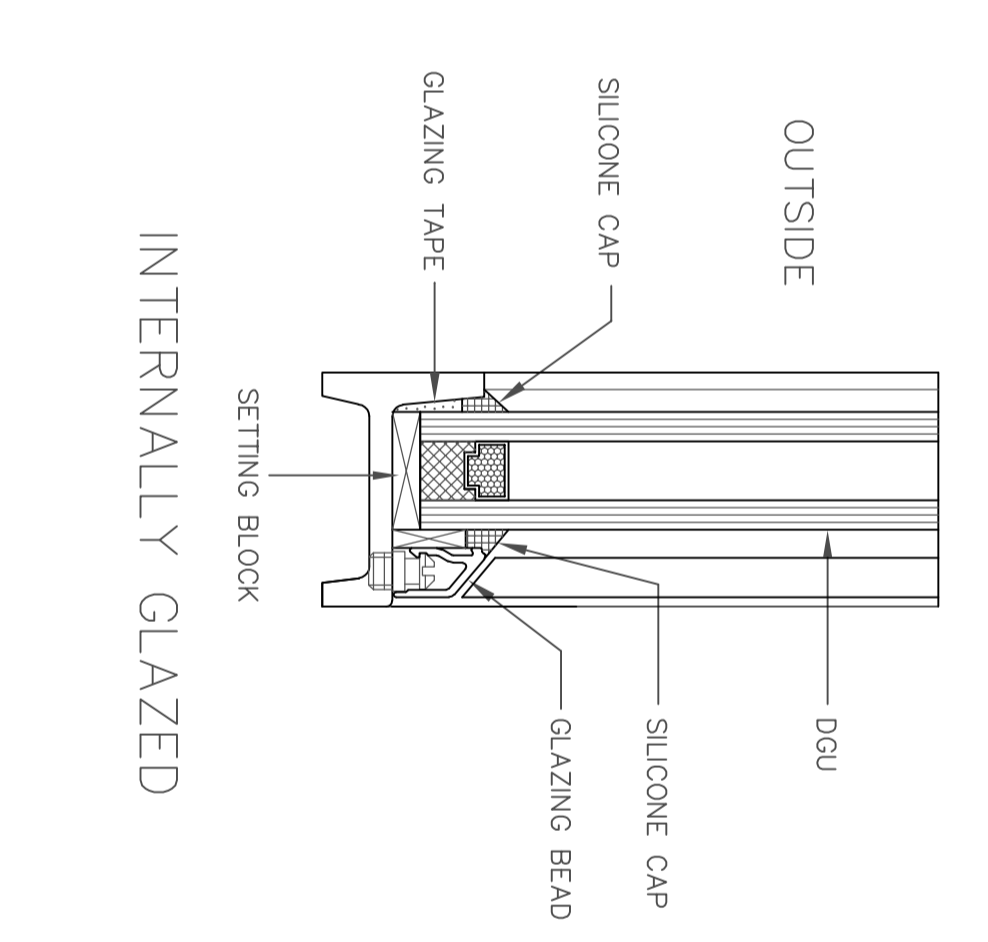
PRODUCT RANGE



JAMB DETAILS SIMILAR TO HEAD AND CILL

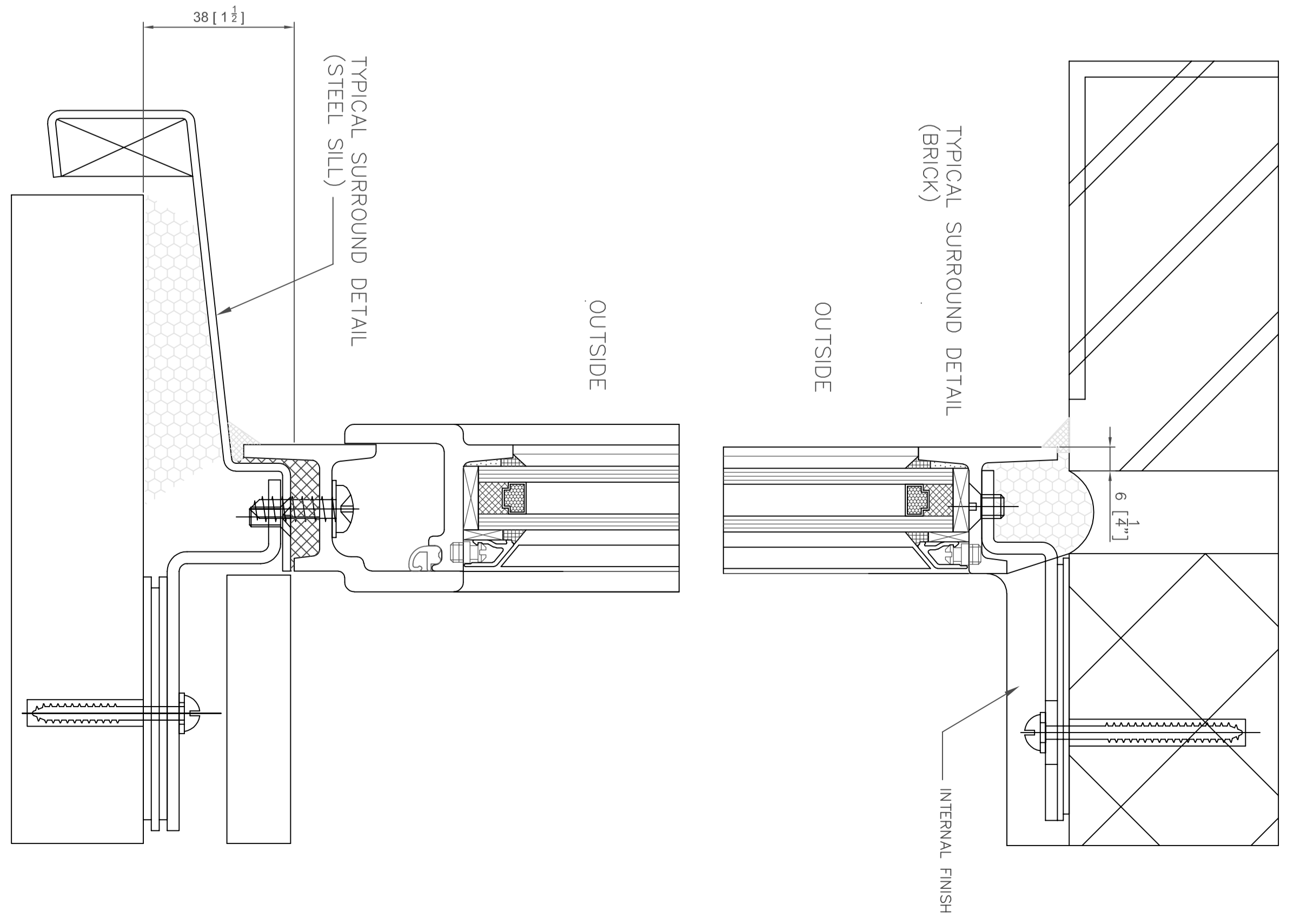
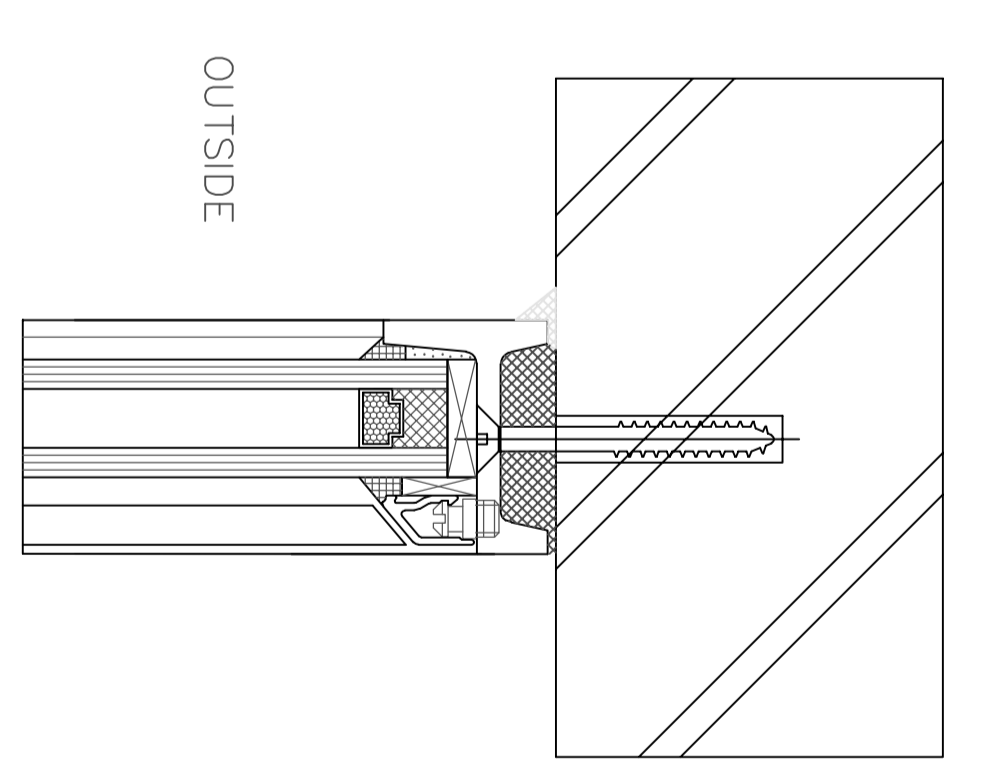
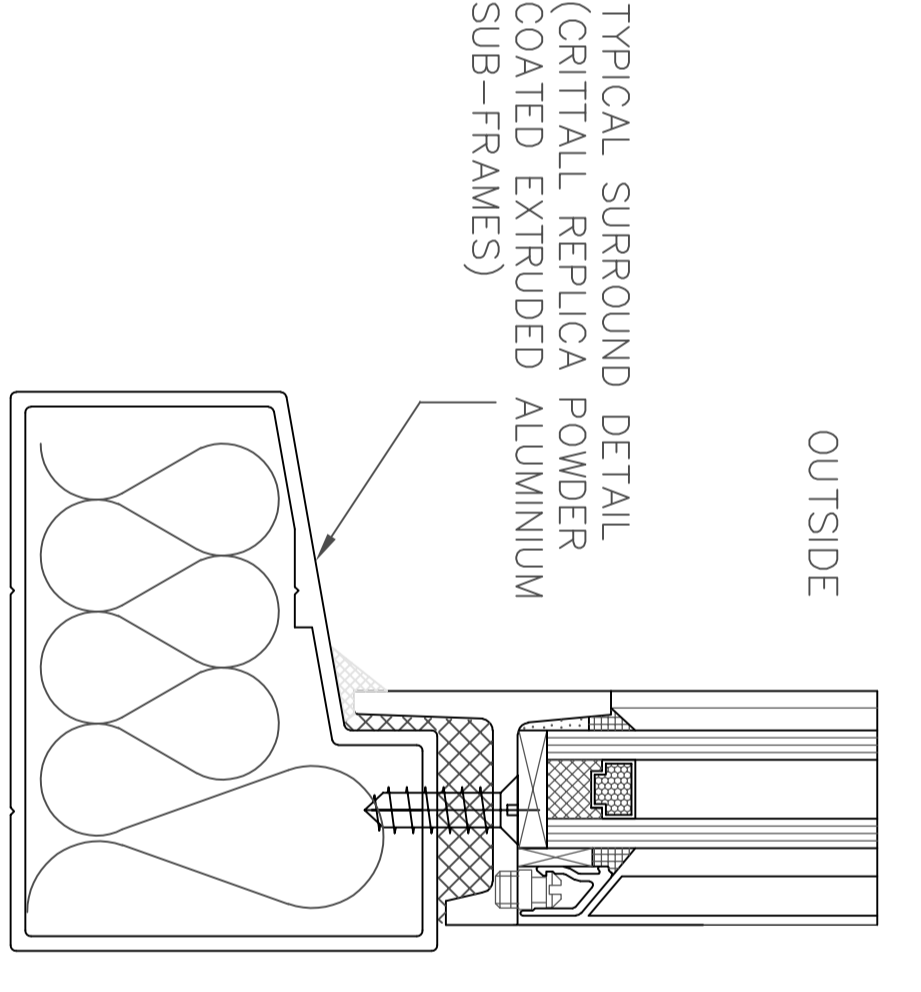
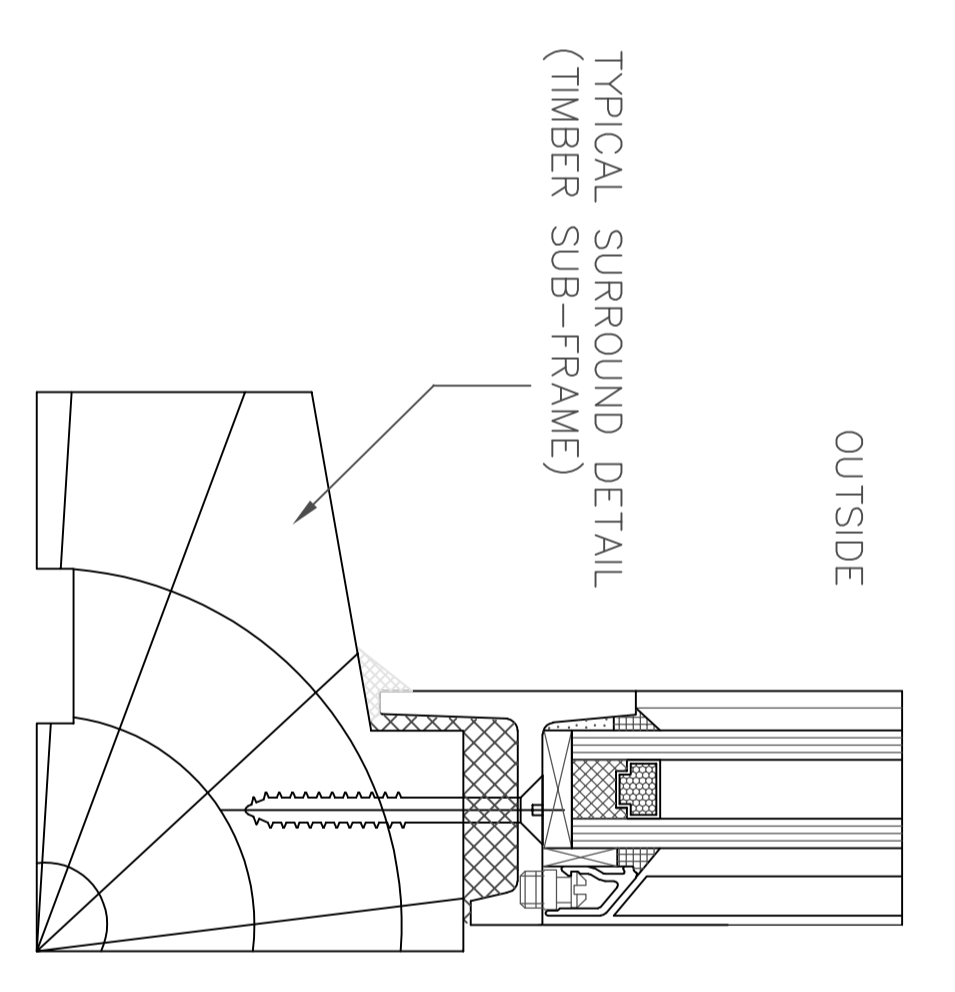


*NOTE: EXTERIOR GLAZED CONFIGURATION, WEATHERBAR DESIGN AND PROFILE OPTIONS ARE AVAILABLE. CONTACT CRITTALL FOR DETAILS



GLAZING DETAILS

TYPICAL COUPLING DETAILS



TYPICAL SURROUND DETAILS