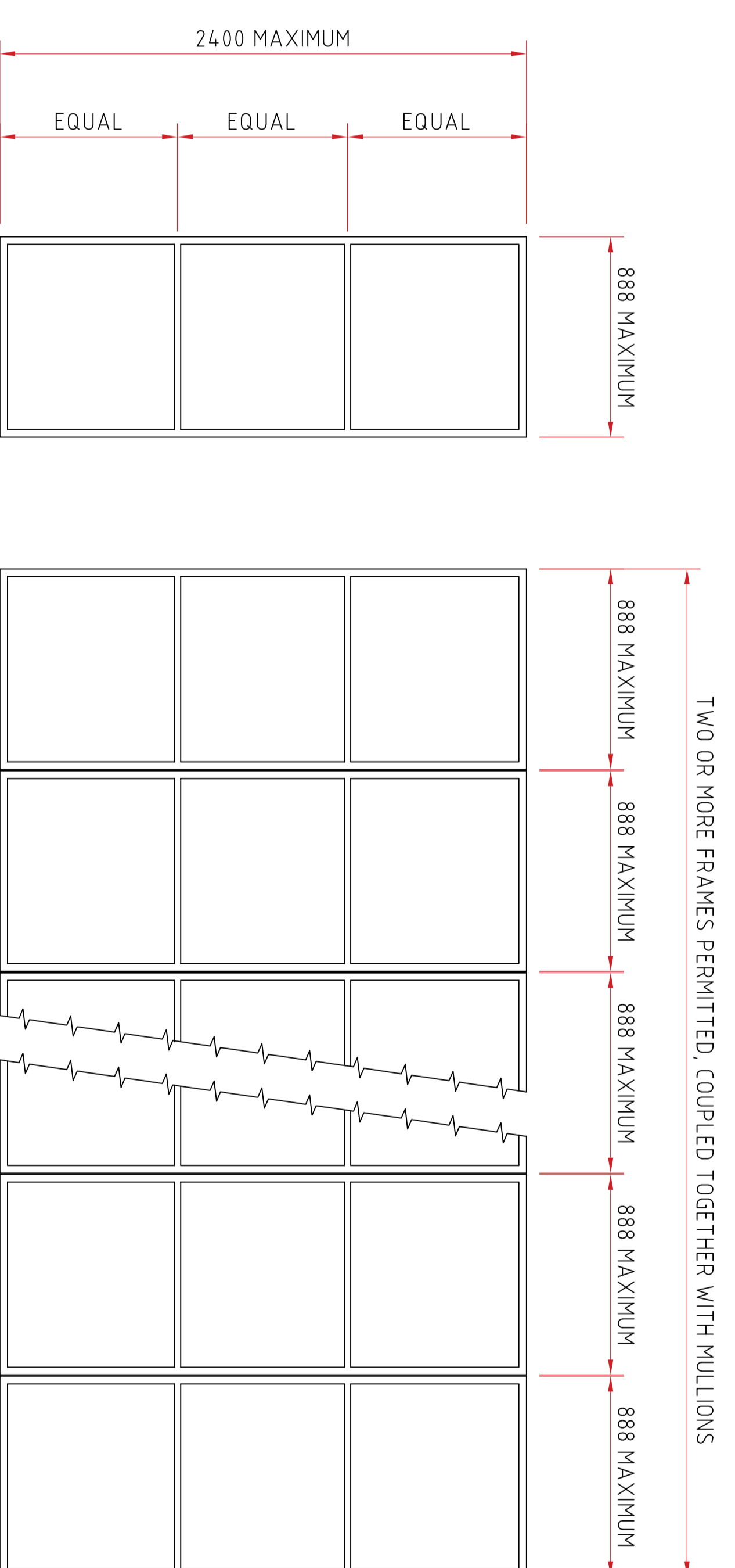
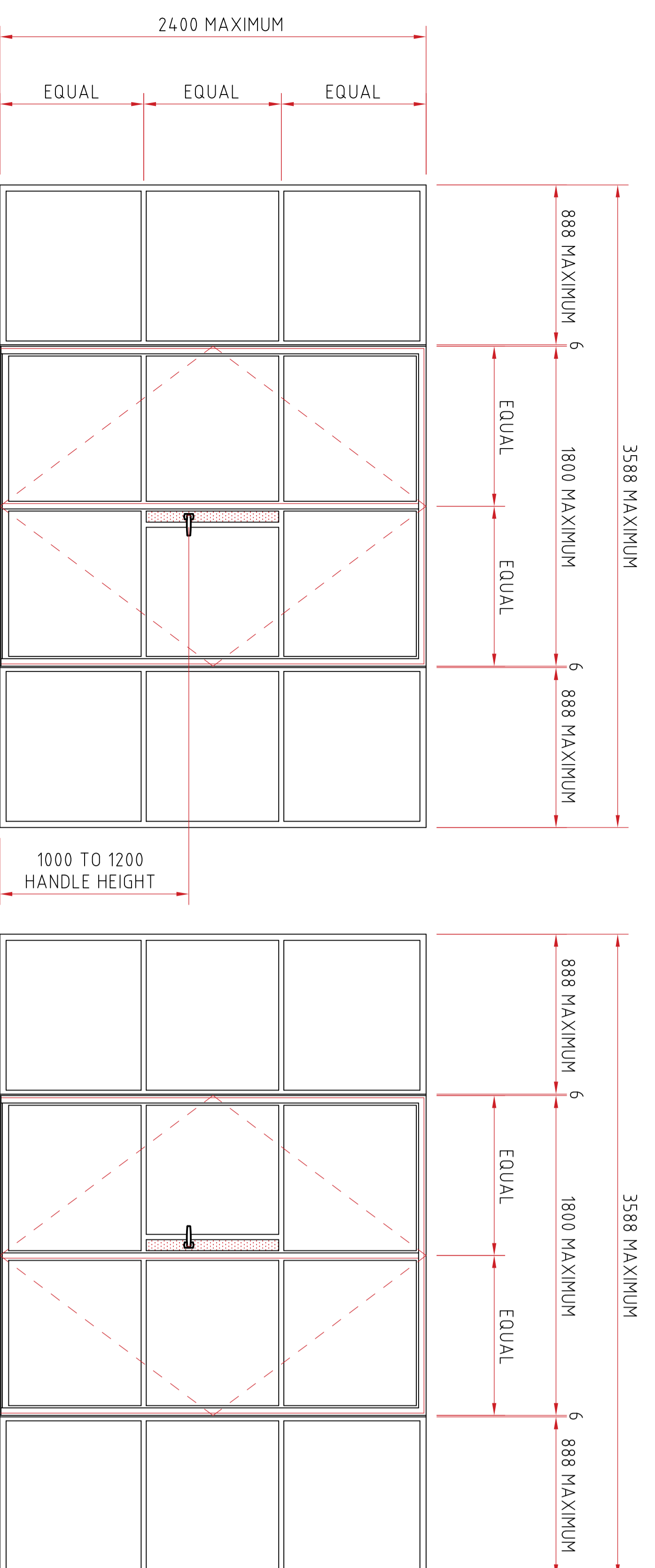
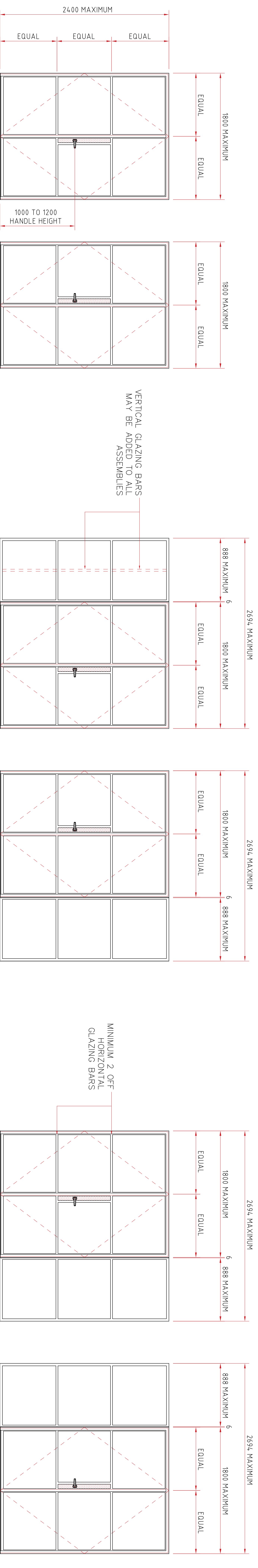


SINGLE DOOR ASSEMBLIES



DOUBLE DOOR ASSEMBLIES

FIXED LIGHTS

THE ITEMS SHOWN ARE FIRE TESTED TO BS 476 PART 22 (FD30, 30 MINUTES INTEGRITY)

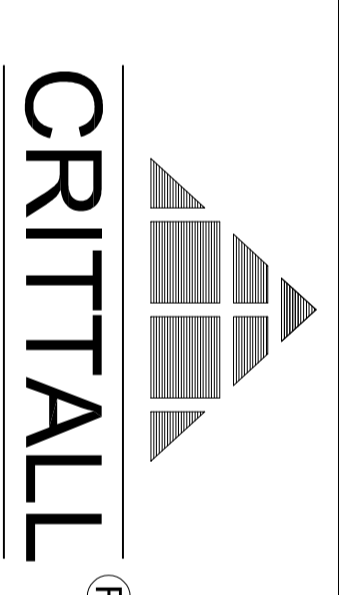
WARRINGTON EXOVA TEST REPORTS: 400727 & 400728 REFER

THESE DOORS ARE TESTED AS 'PASSIVE' TYPES, I.E. DOORS MUST NOT BE OPENED DURING FIRE EXPOSURE. ALL DOORS MUST OPEN TOWARDS THE FIRE SIDE, AND MUST BE GLAZED FROM THE NON-FIRE SIDE.

FIXED LIGHTS CAN BE SUPPLIED AS PART OF A DOOR SCREEN, IN CONFIGURATIONS AS SHOWN, AND ARE AVAILABLE WITH LONG EQUAL LEG FRAME AT BOTH JAMBS (MAXIMUM FRAME WIDTH = 888mm) OR WITH LONG EQUAL LEG TO STRUCTURE AND SHORT EQUAL LEG TO COUPLING (MAXIMUM FRAME WIDTH = 875mm). CONFIGURATIONS WITH SHORT EQUAL LEG TO BOTH JAMBS ARE NOT PERMITTED.

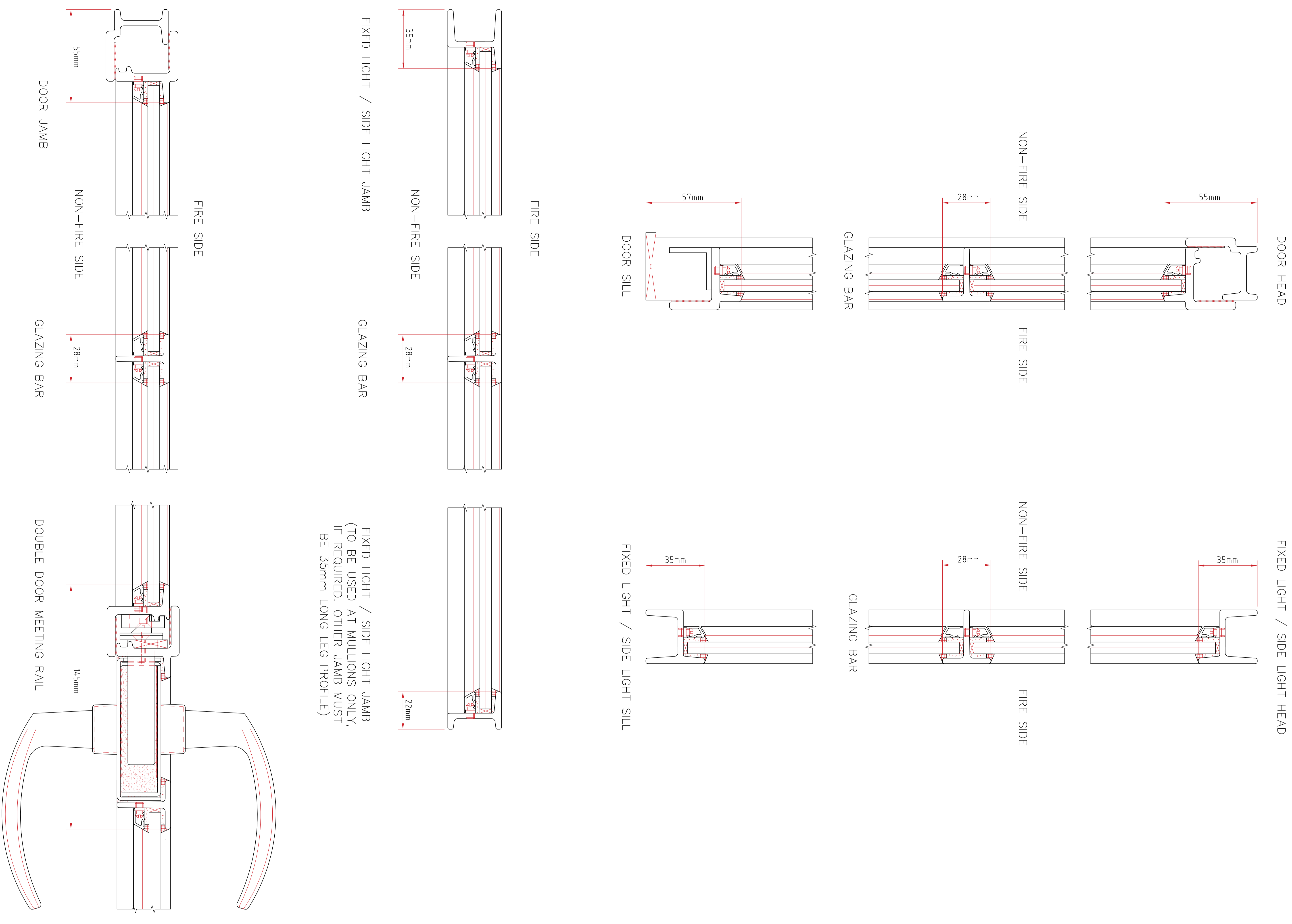
STAND-ALONE FIXED LIGHTS ARE PERMITTED, AND MAY BE COUPLED TOGETHER TO FORM A SCREEN. THE SAME RULES APPLY TO THE JAMBS OF STAND-ALONE FIXED LIGHTS AS FOR THOSE COUPLED TO DOORS.

ONLY THOSE FRAME SECTIONS SHOWN WITHIN THIS DRAWING SET MAY BE USED FOR FIRE-RATED DOORS, AND ONLY IN THE POSITIONS DICTATED.

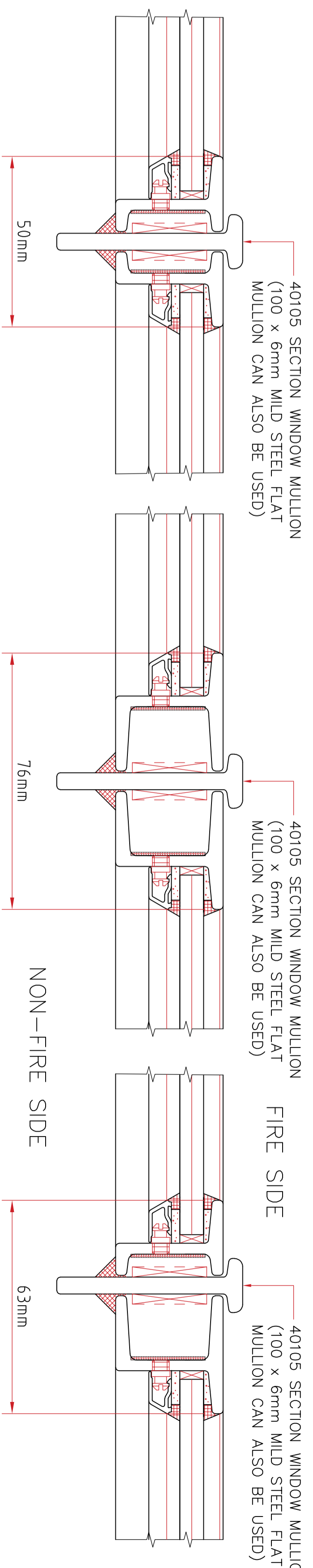
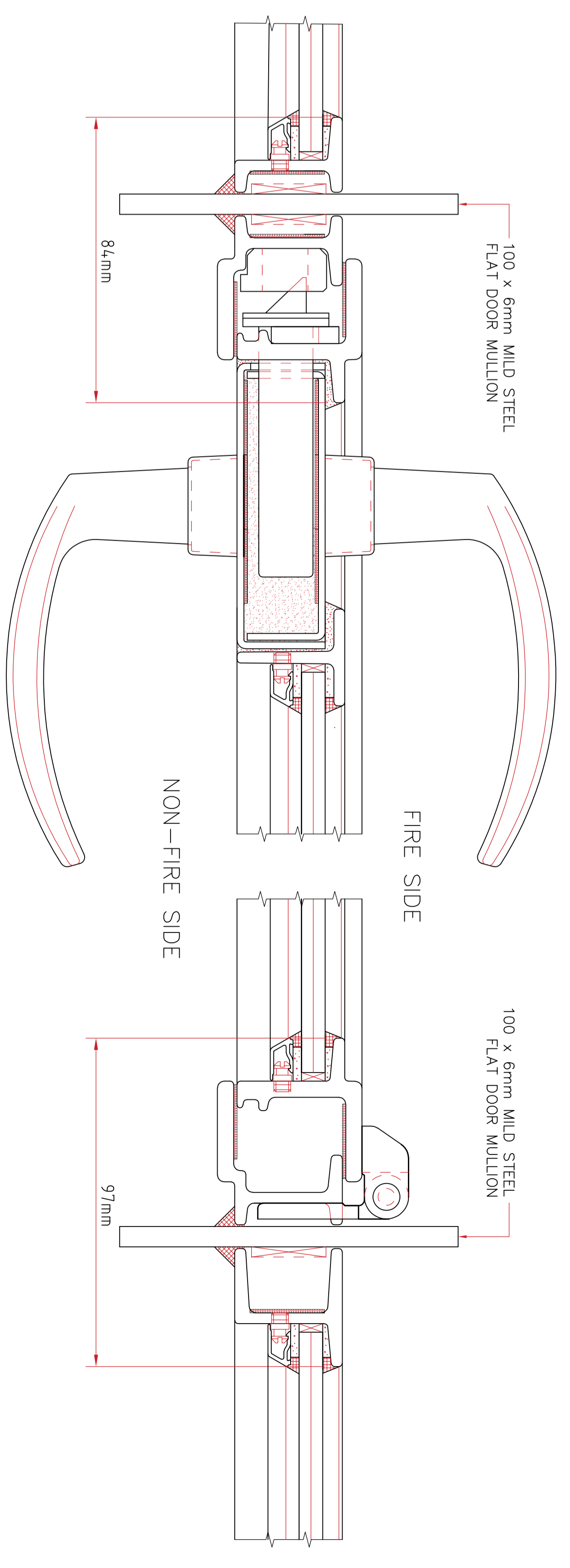


INNERVISION™ FD30 FIRE RATED DOORS & FIXED LIGHTS - GENERAL ARRANGEMENT
CRITTALL® IS A REGISTERED TRADE MARK OF CRITTALL WINDOWS LIMITED

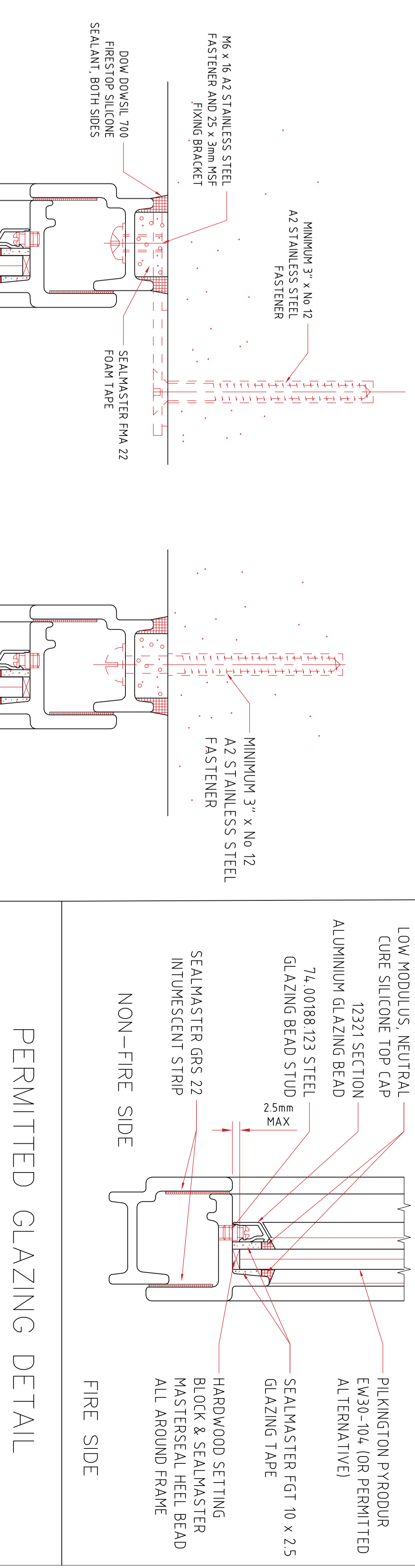
REF: IVB 11/19 SHEET 1 OF 2



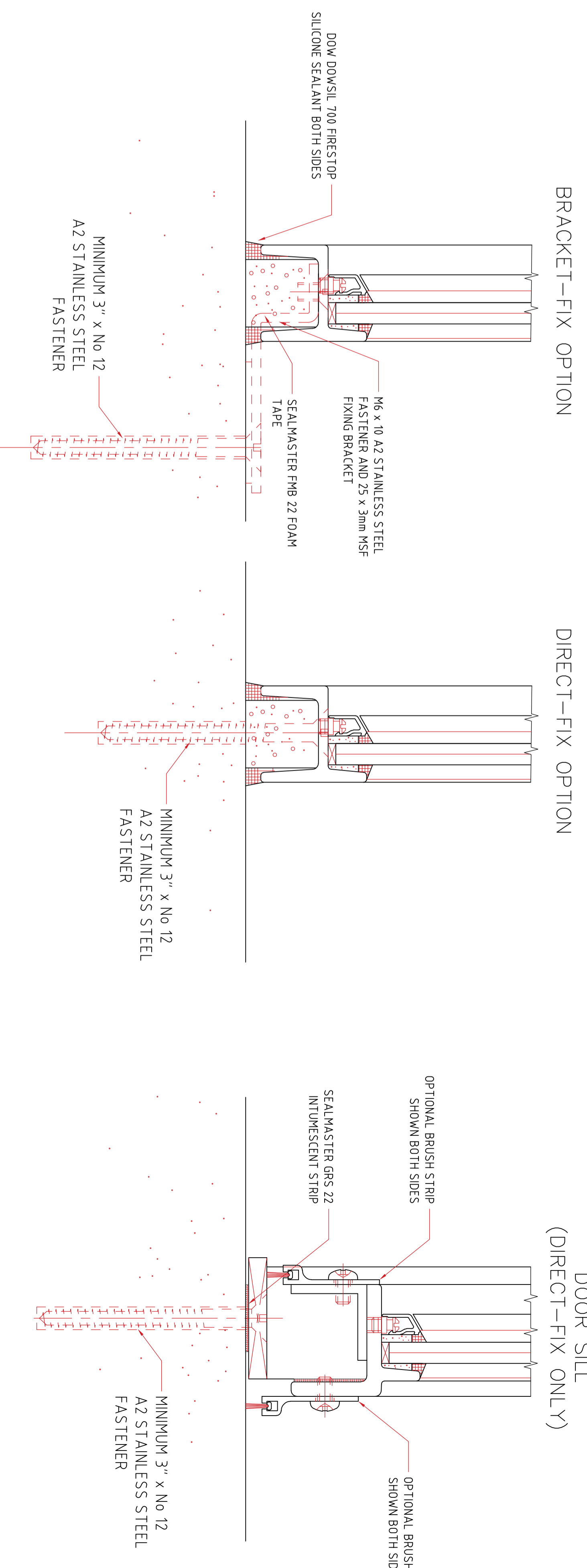
FIXED LIGHT / SIDE LIGHT JAMB
(TO BE USED AT MULLIONS ONLY,
IF REQUIRED. OTHER JAMB MUST
BE 35mm LONG LEG PROFILE)



PERMITTED COUPLING DETAILS



PERMITTED GLAZING DETAIL



PERMITTED BOUNDARY DETAILS