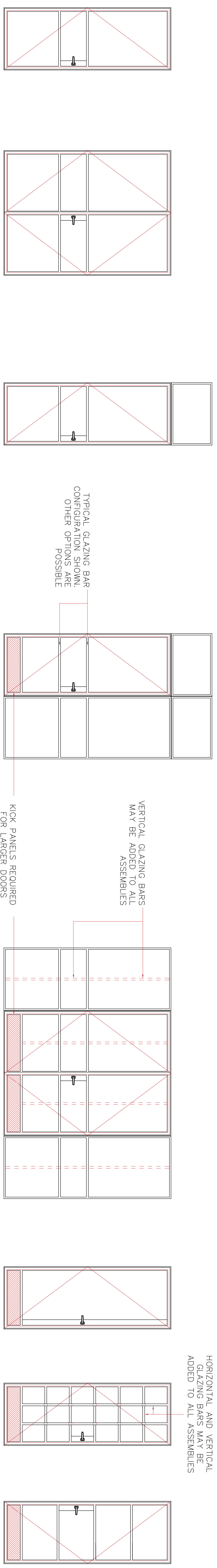


PRODUCT RANGE – SINGLE OR DOUBLE DOORS PLUS OPTIONAL FIXED SIDE LIGHTS AND/OR TOP (FAN) LIGHTS. DOORS MAY BE COUPLED TO ANY OTHER W20 WINDOW TYPES TO FORM LARGE SCREENS OR WINDOW WALLS. DOORS MAY SWING INWARDS OR OUTWARDS AND CAN BE GLAZED FROM EITHER SIDE

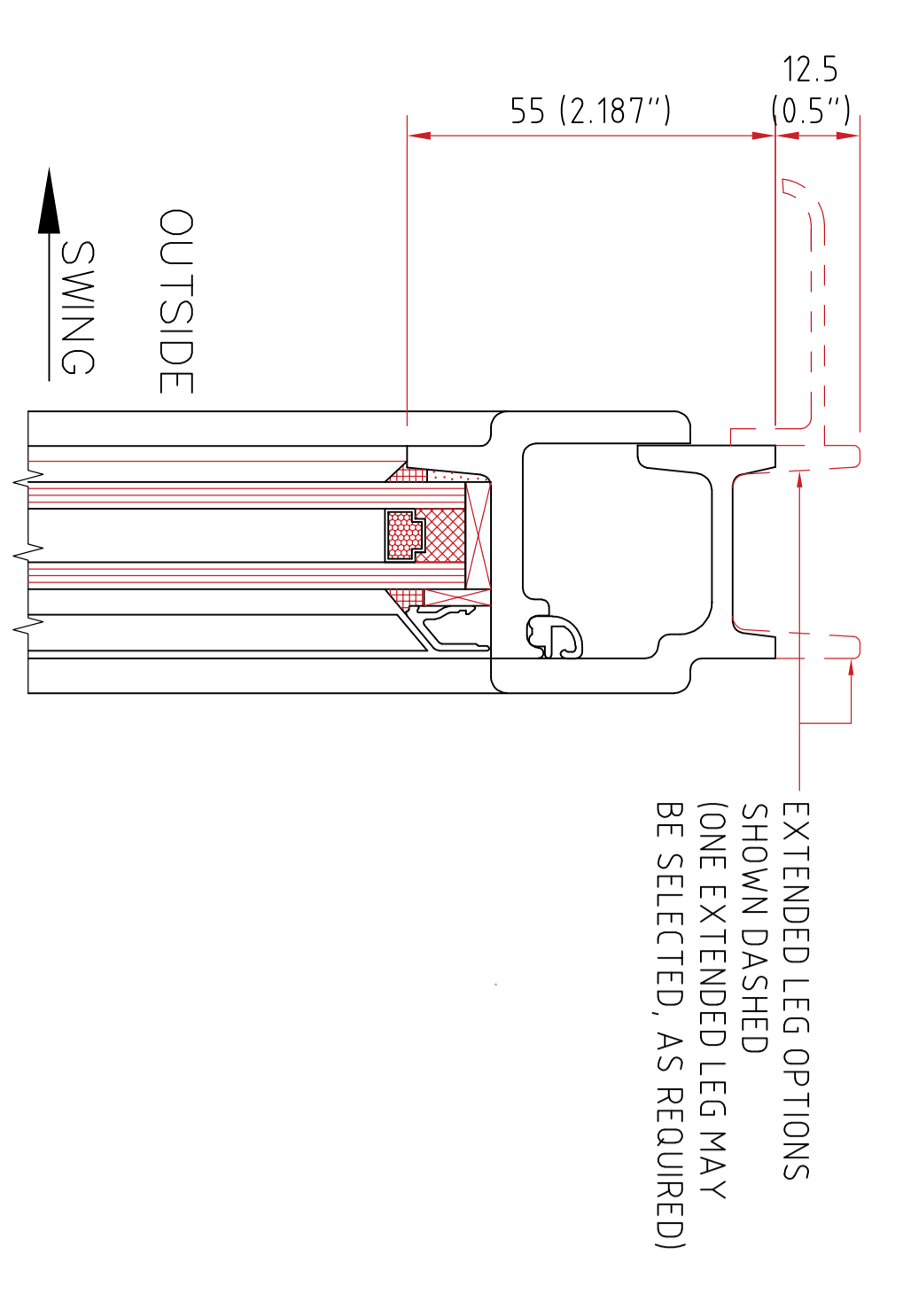


HORIZONTAL AND VERTICAL GLAZING BARS MAY BE ADDED TO ALL ASSEMBLIES

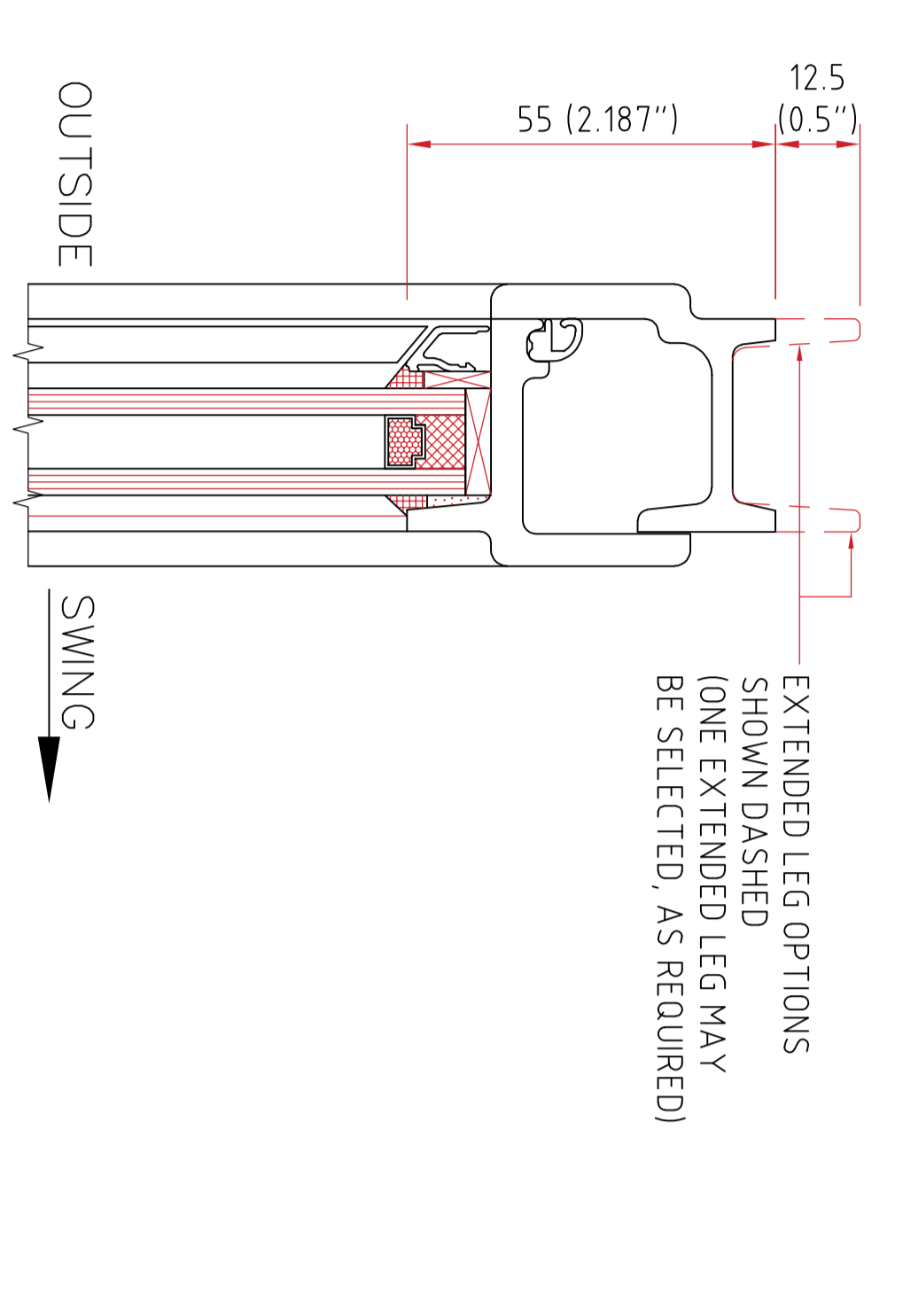
TYPICAL SINGLE DOOR      TYPICAL DOUBLE DOOR      TYPICAL SINGLE DOOR WITH TOP-LIGHT      TYPICAL SINGLE DOOR WITH SIDE-LIGHT AND TOP-LIGHTS      TYPICAL DOUBLE DOOR WITH SIDE-LIGHTS ('BELGIUM DOOR')      FURTHER DOOR ARRANGEMENT EXAMPLES SHOWN

FRAME PROFILES

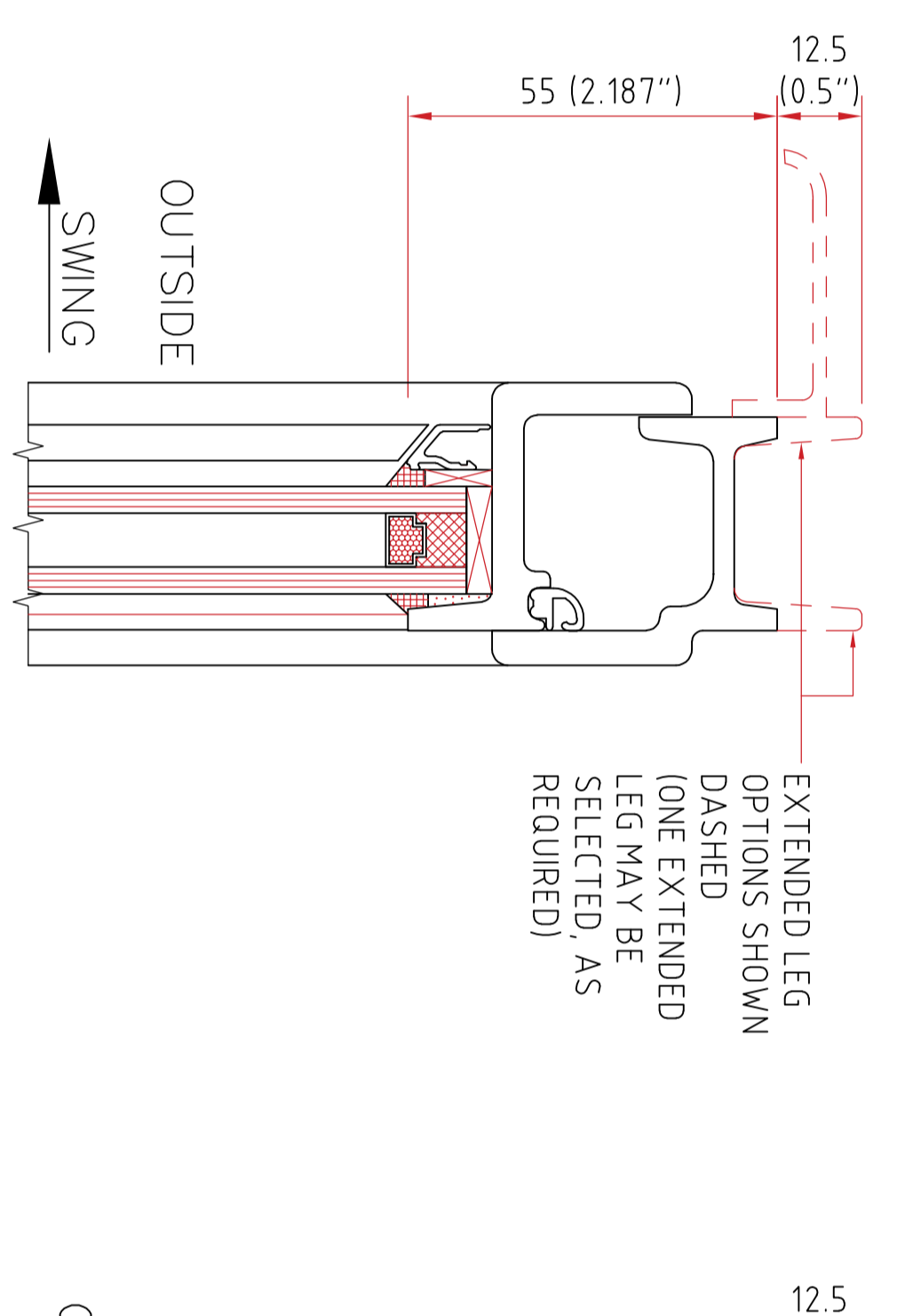
DOOR FRAME (USE AT HEAD AND/OR JAMBS) INTERIOR GLAZED OPTION SHOWN



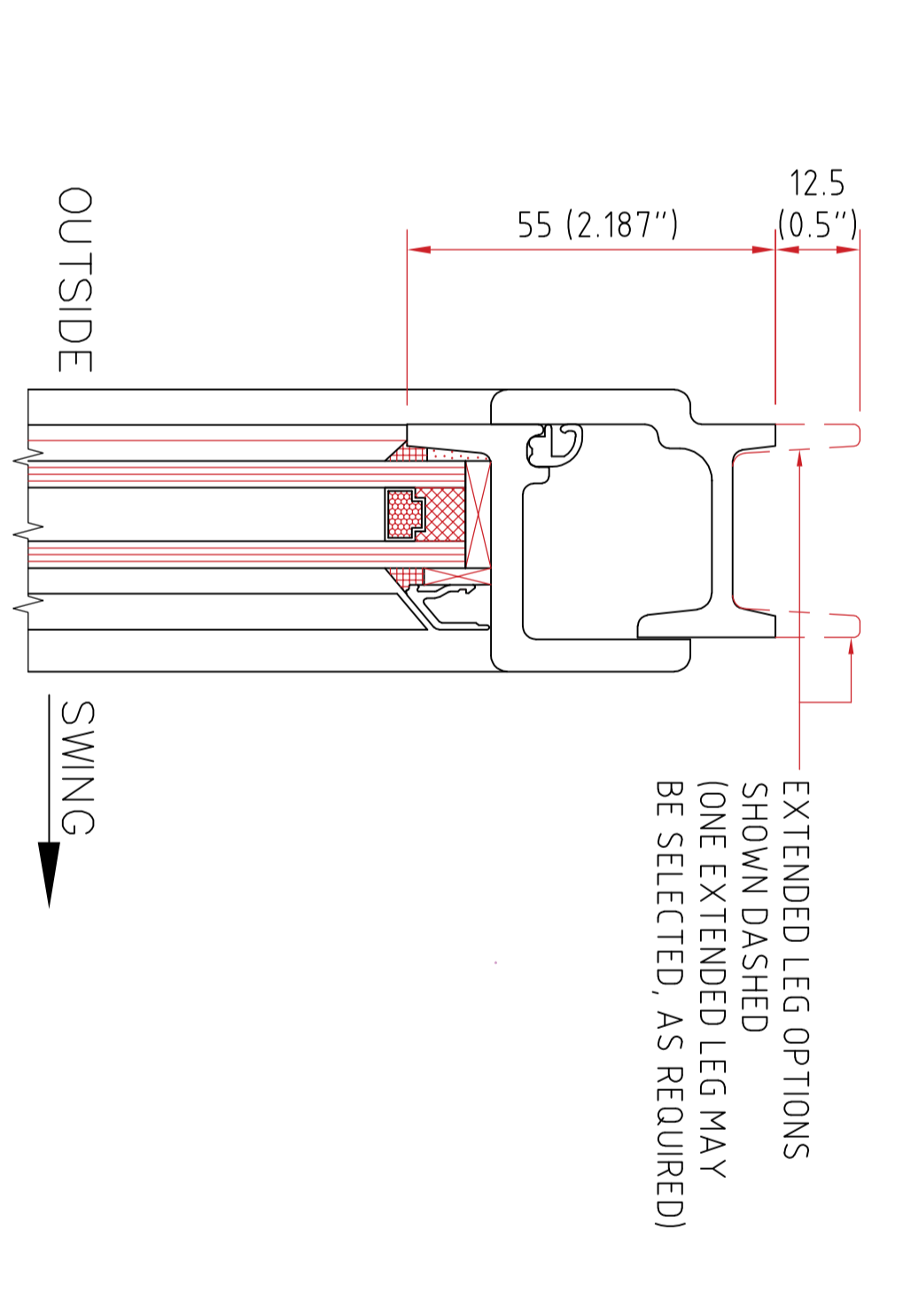
DOOR FRAME (USE AT HEAD AND/OR JAMBS) EXTERIOR GLAZED OPTION SHOWN



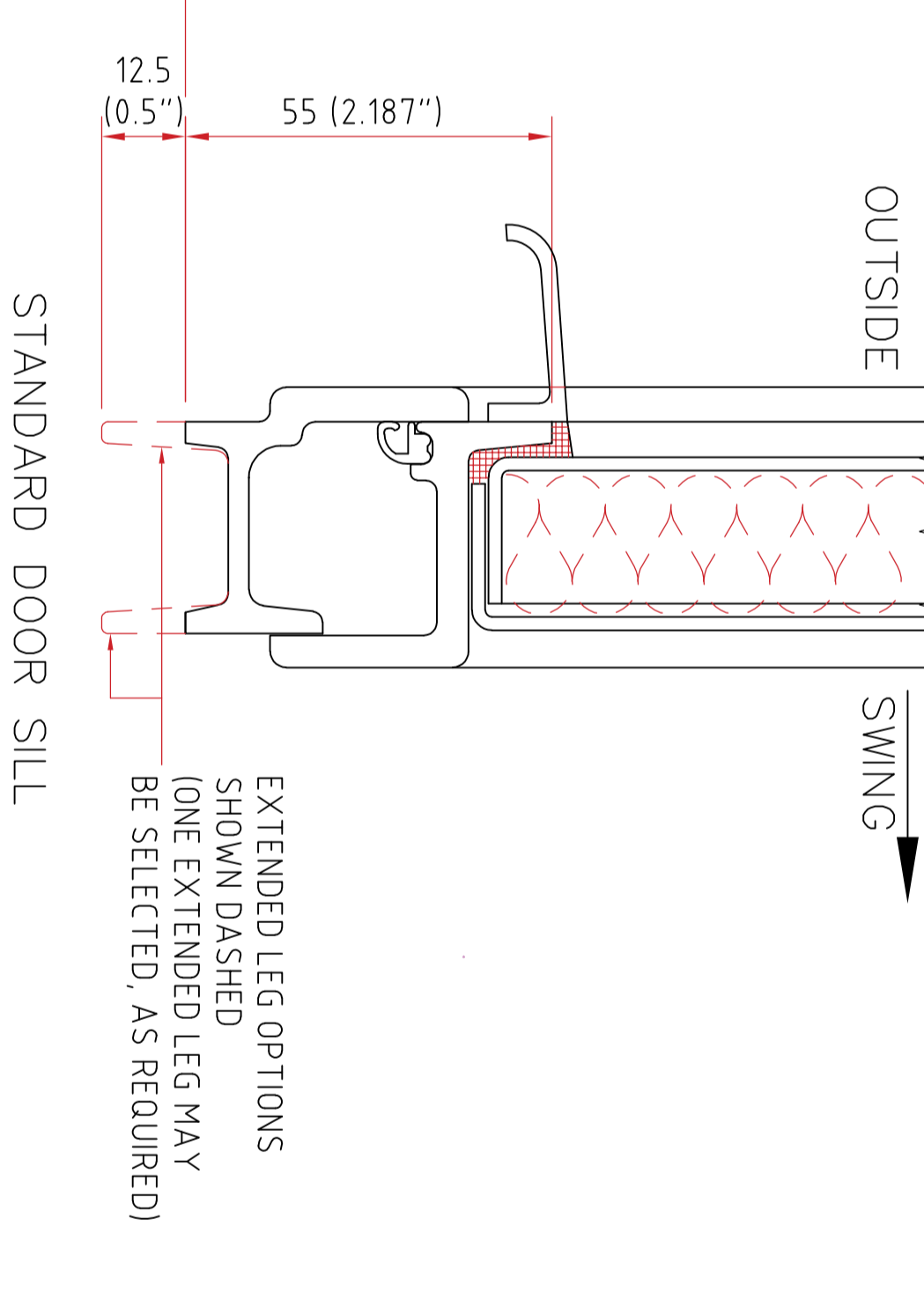
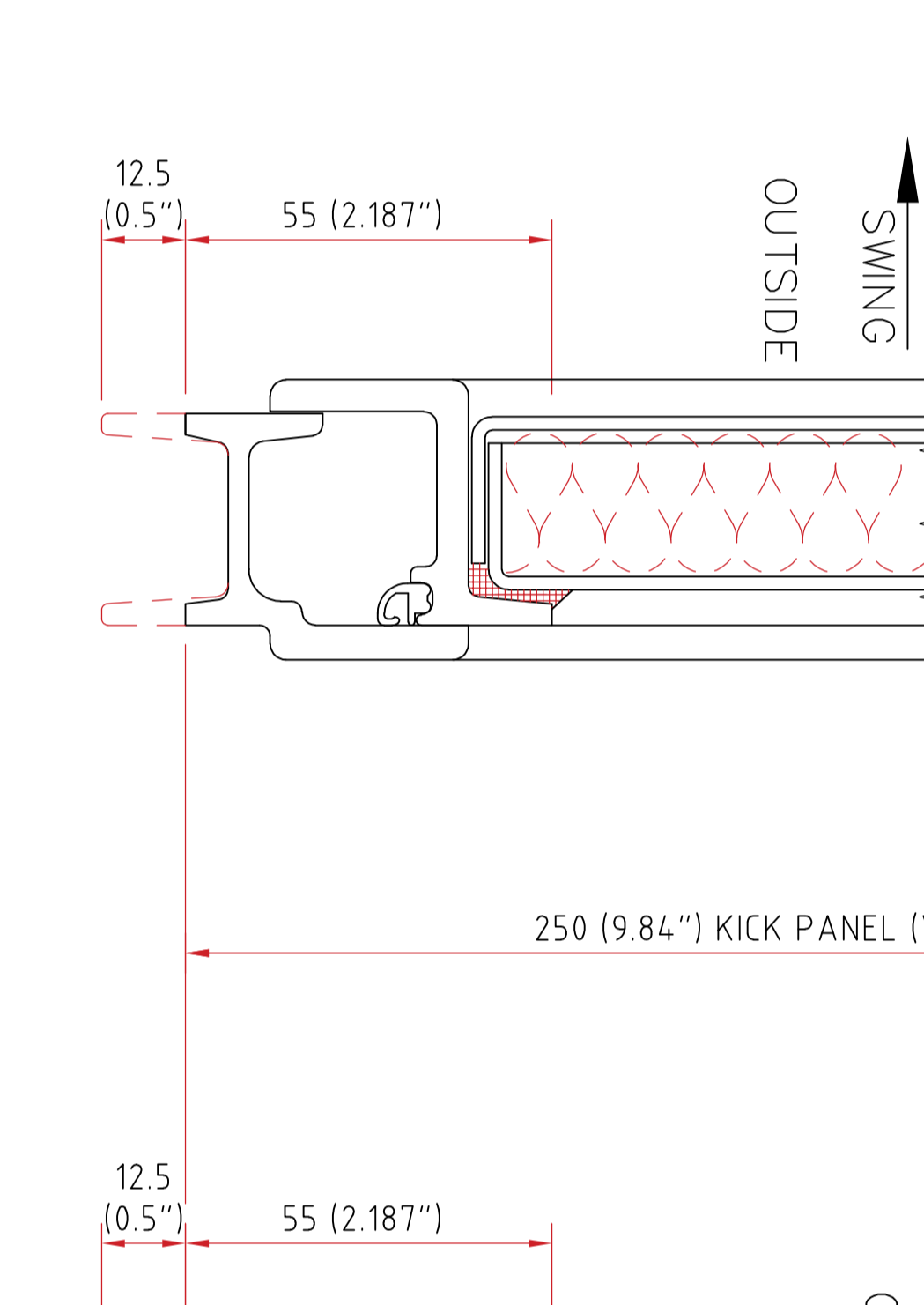
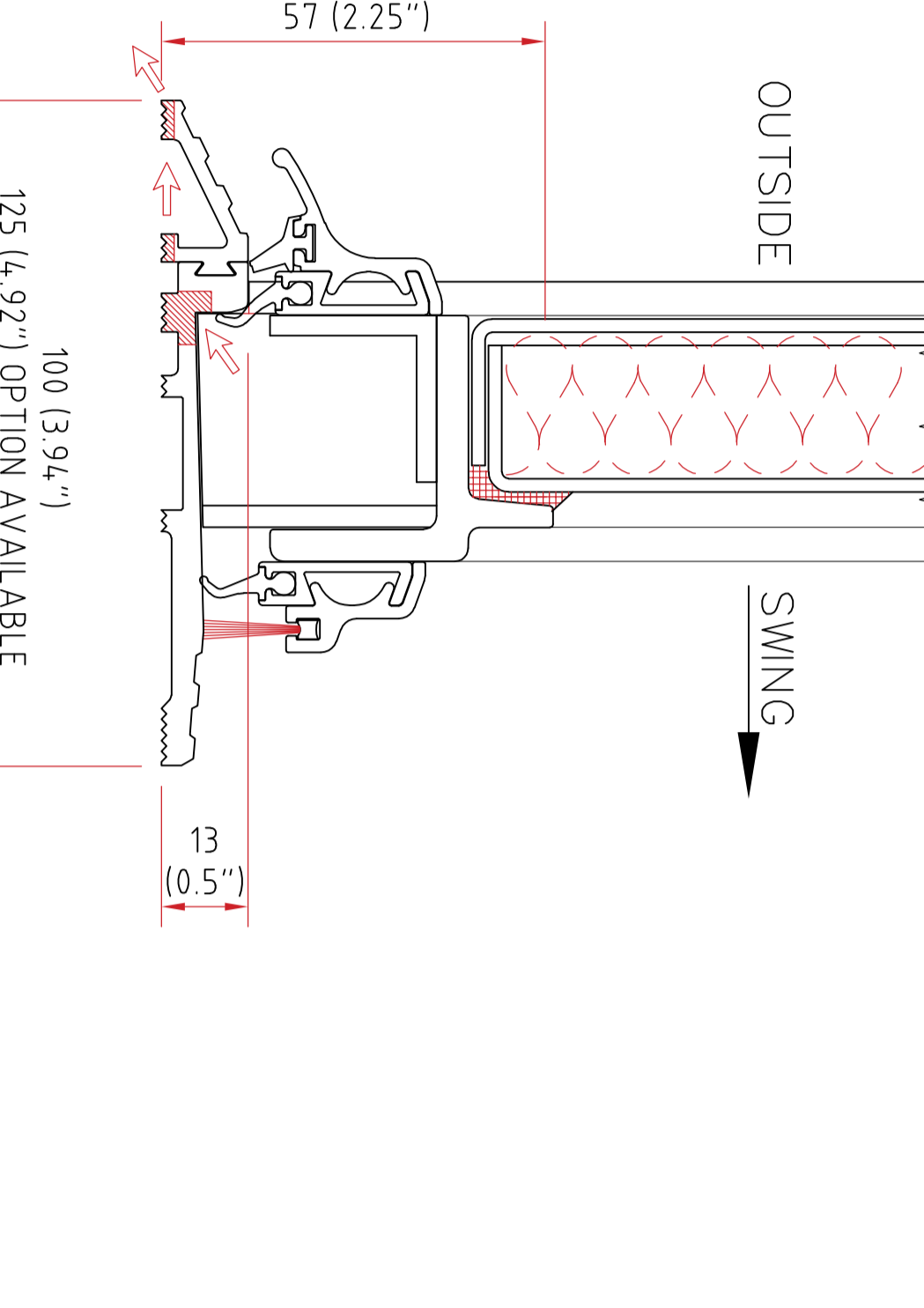
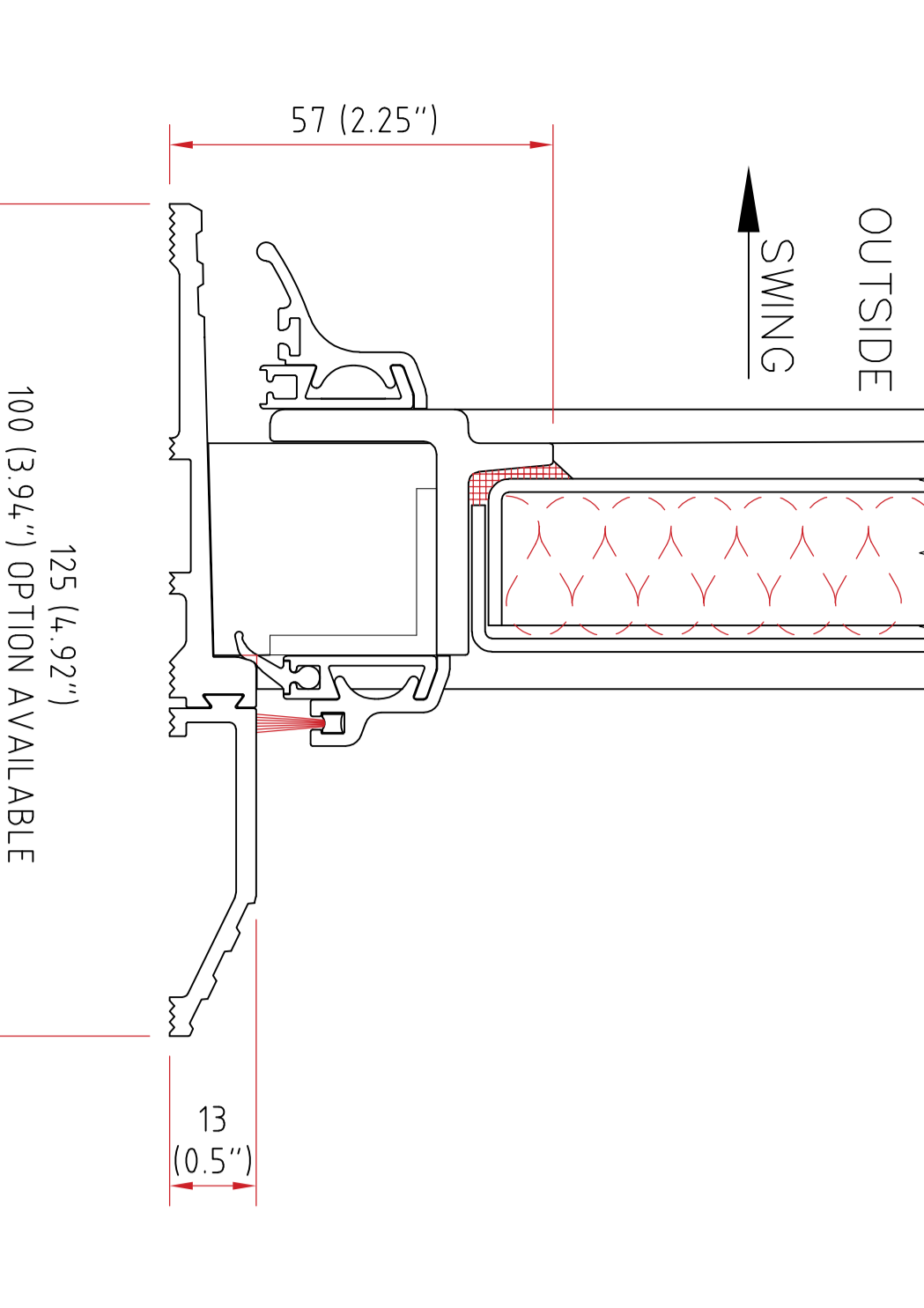
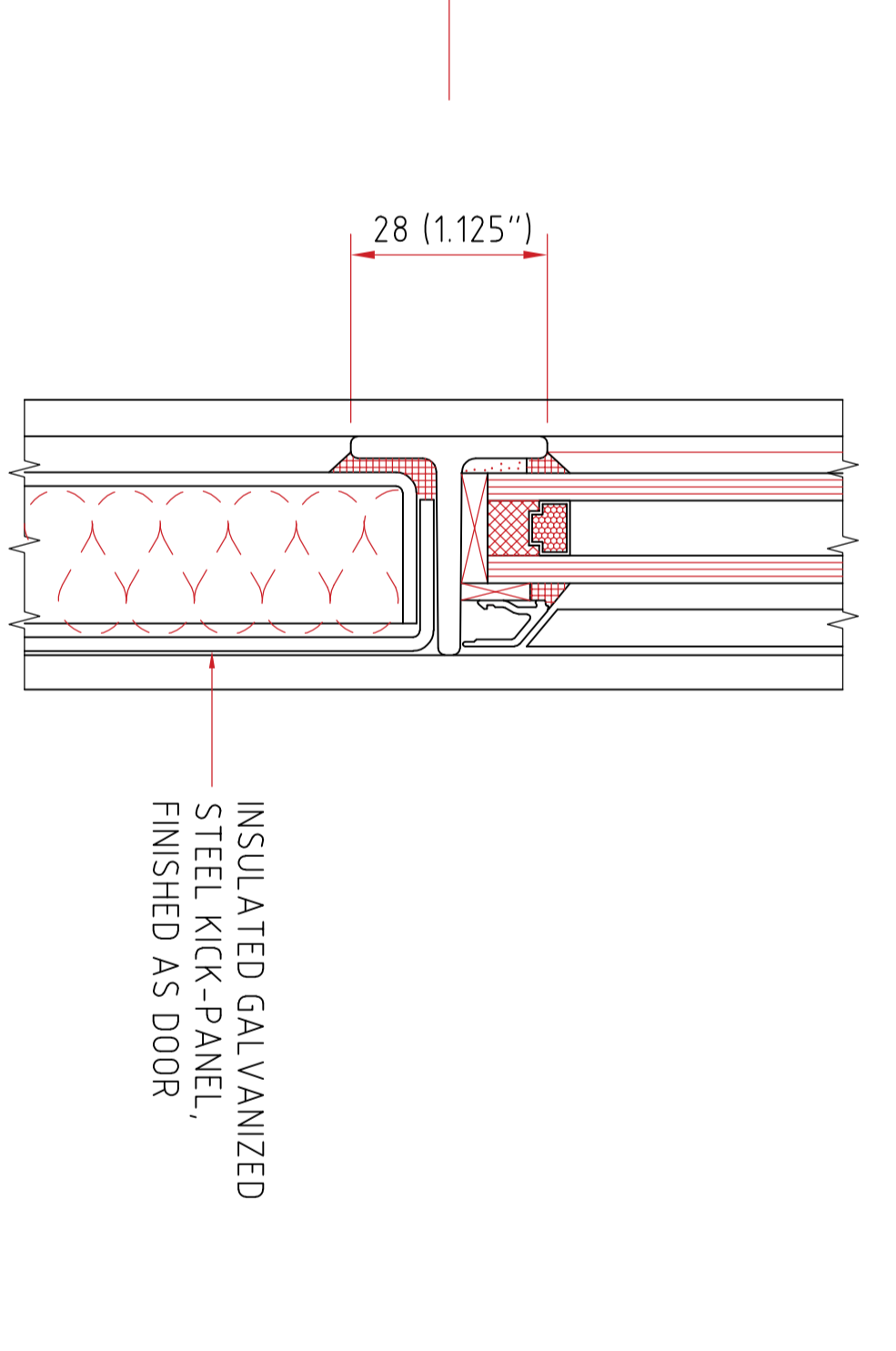
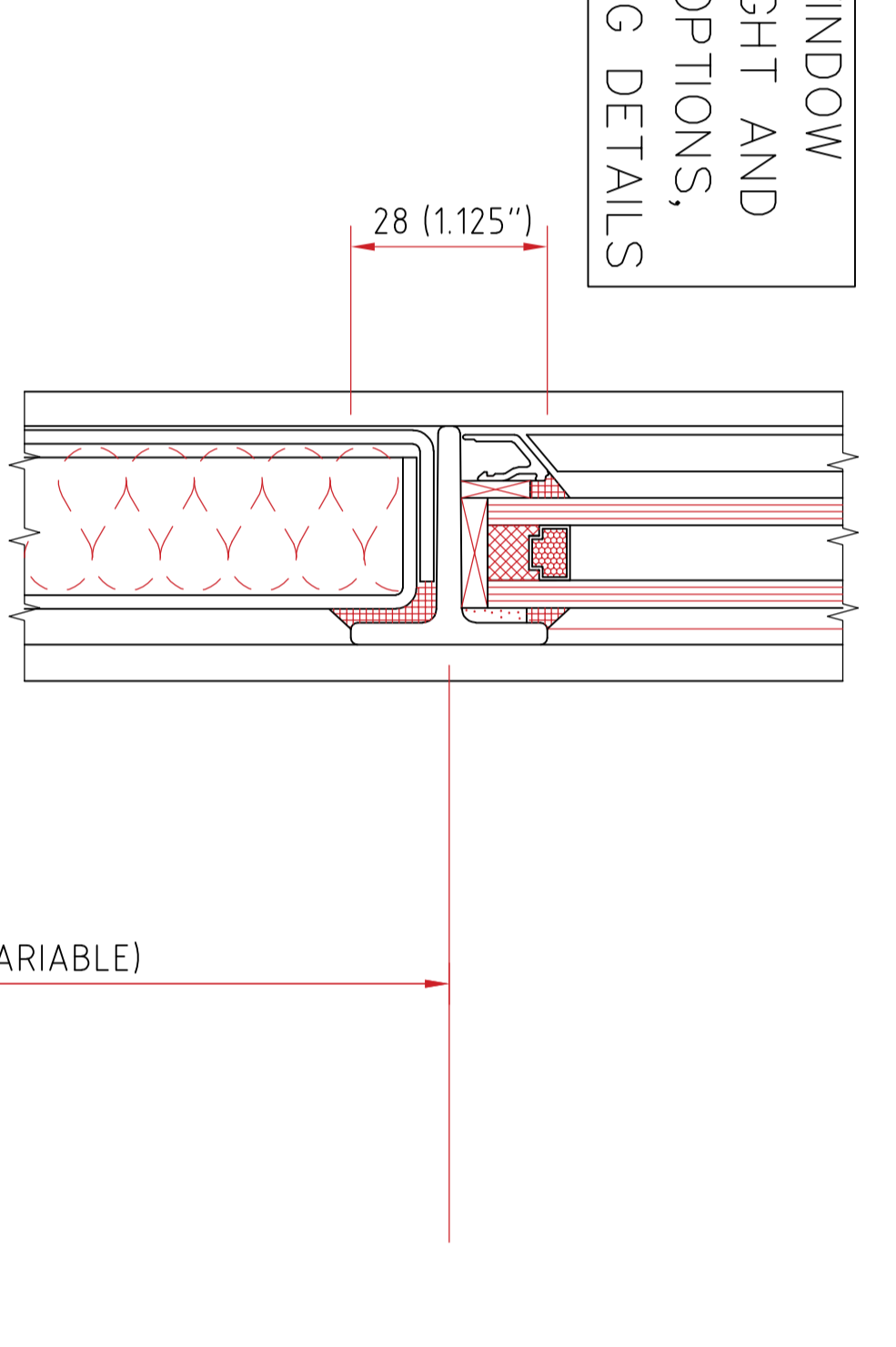
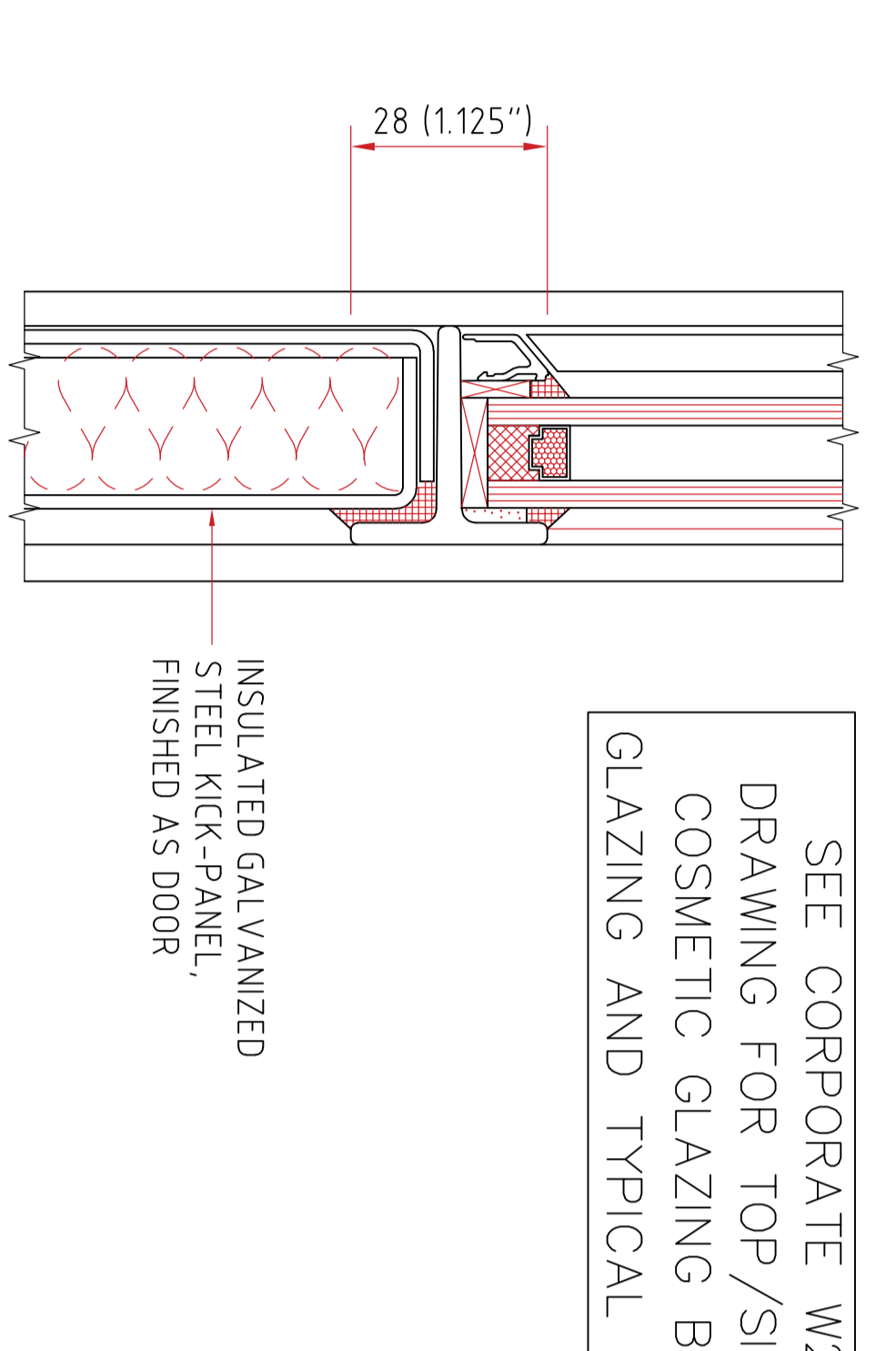
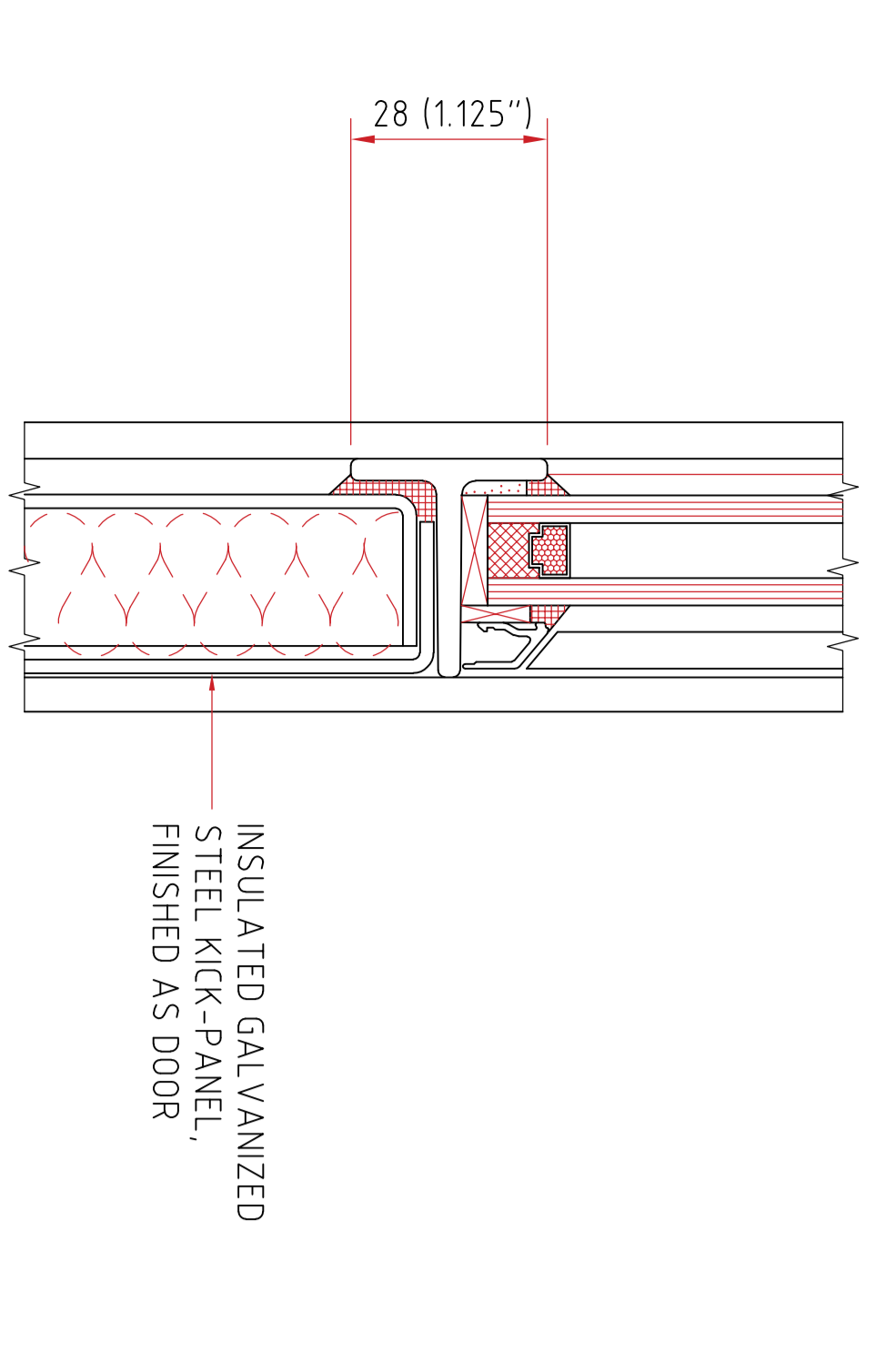
DOOR FRAME (USE AT HEAD AND/OR JAMBS) EXTERIOR GLAZED OPTION SHOWN



DOOR FRAME (USE AT HEAD AND/OR JAMBS) INTERIOR GLAZED OPTION SHOWN



SEE CORPORATE W20 WINDOW DRAWING FOR TOP/SIDE/LIGHT AND COSMETIC GLAZING BAR OPTIONS, GLAZING AND TYPICAL FIXING DETAILS



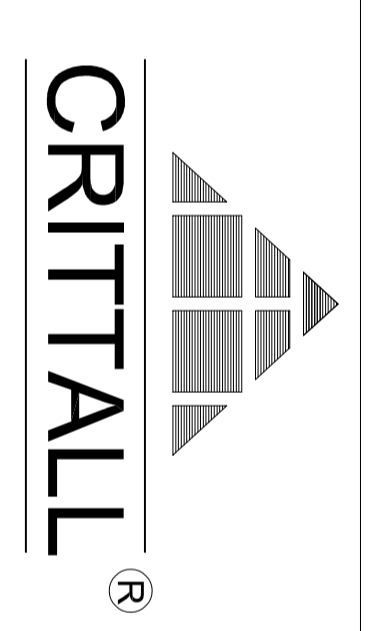
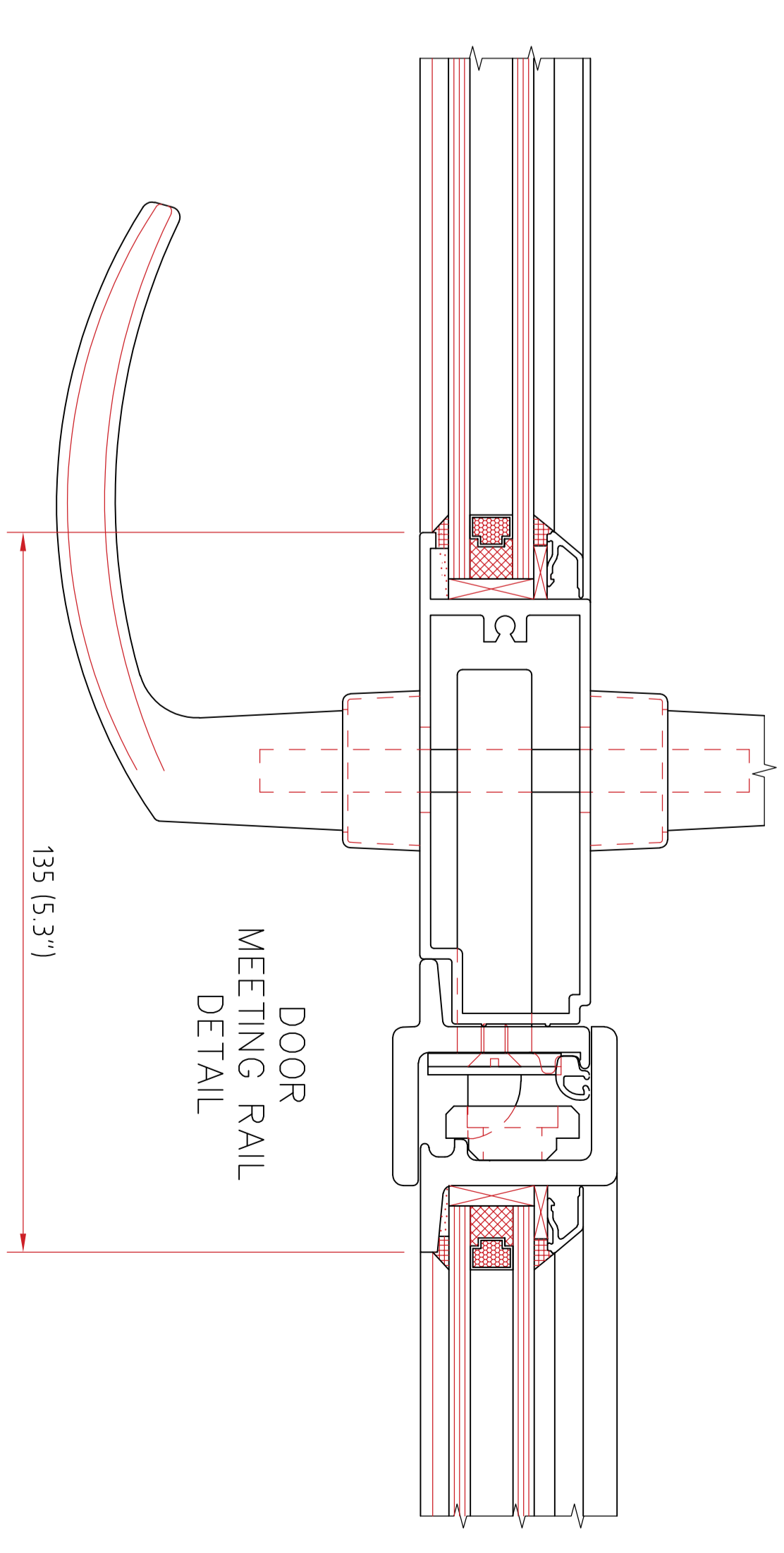
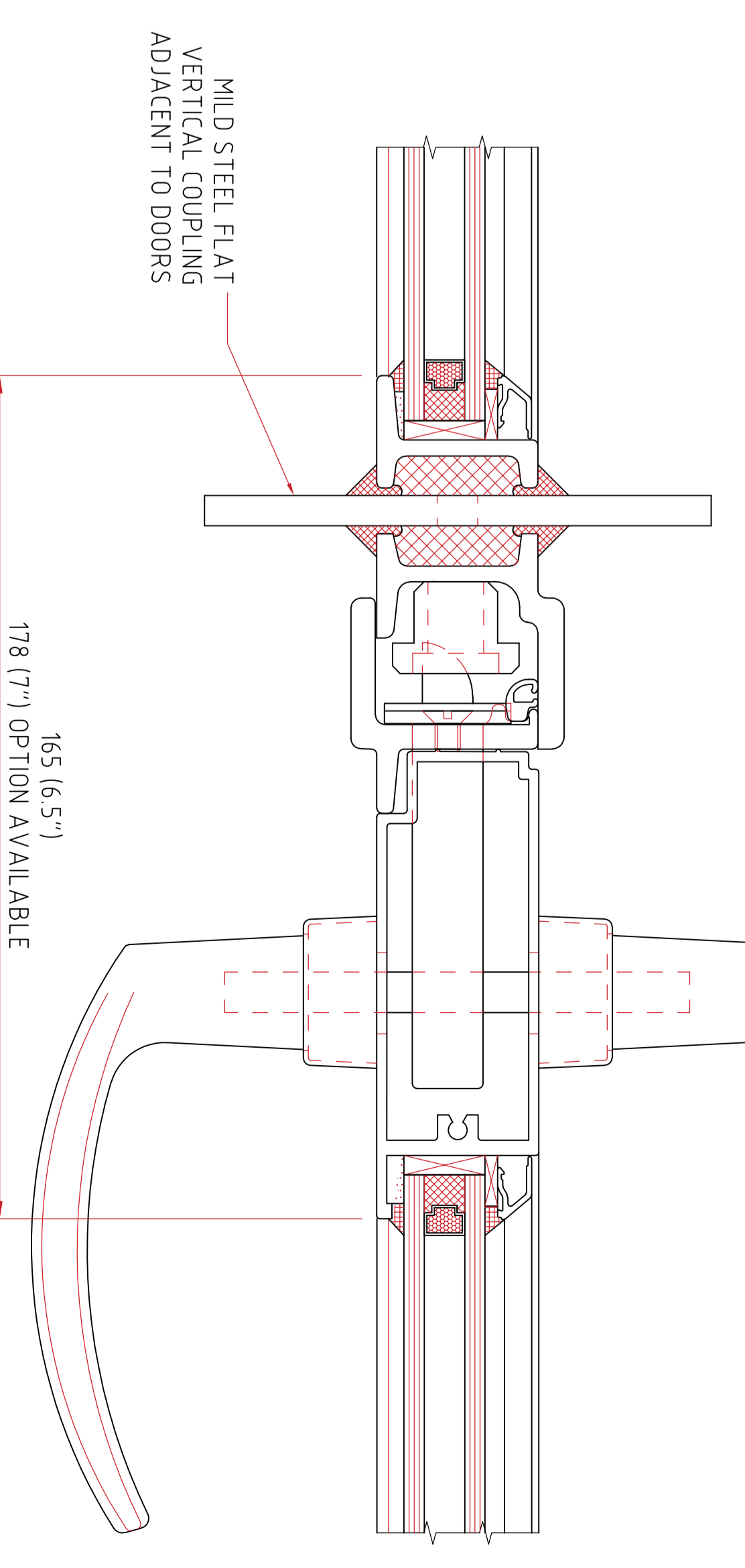
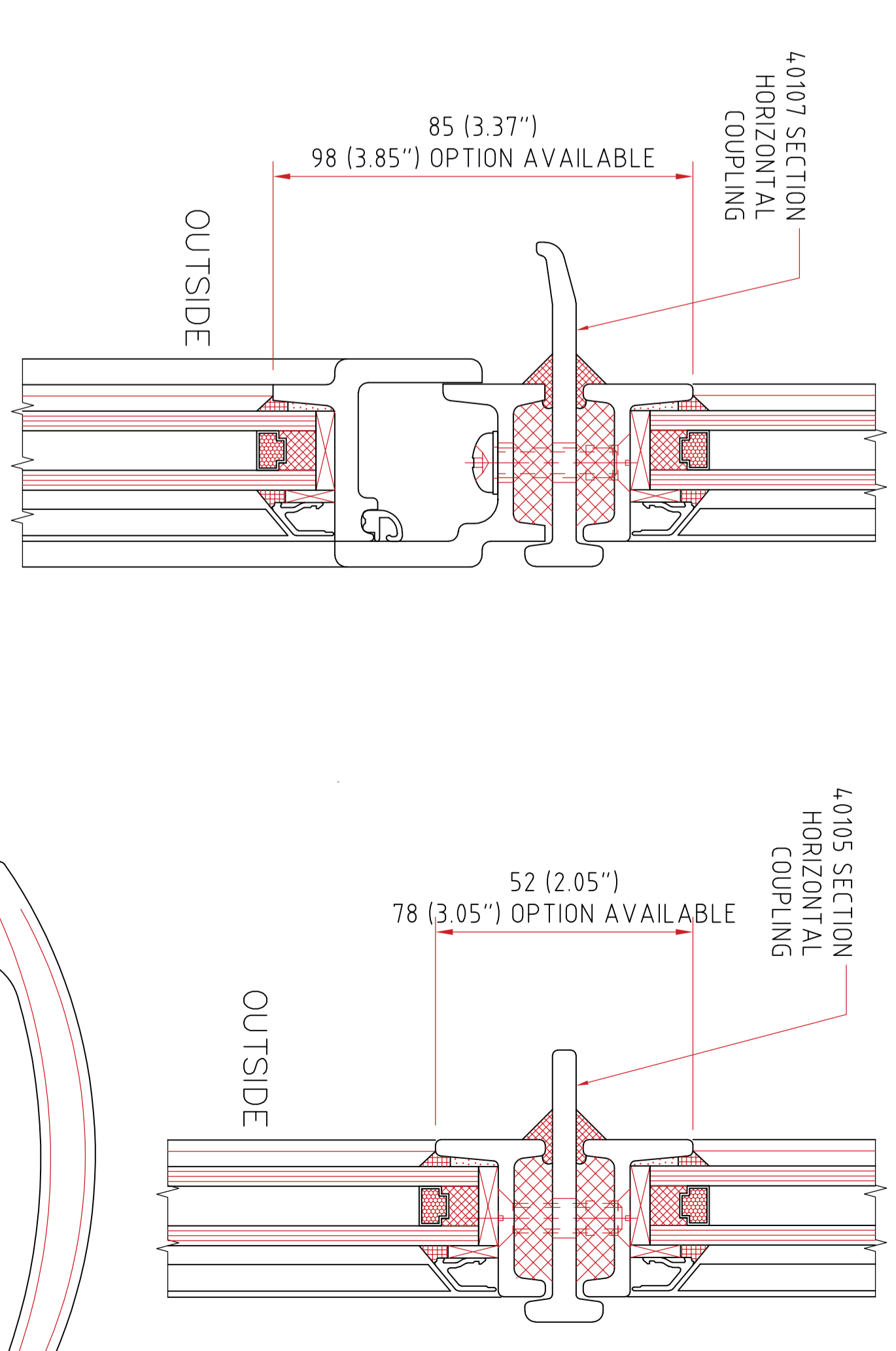
DDA/ADA COMPLIANT THRESHOLD OPEN-OUT, INTERIOR GLAZED OPTION SHOWN (OPEN-OUT, EXTERIOR GLAZED AVAILABLE)

DDA/ADA COMPLIANT THRESHOLD OPEN-IN, EXTERIOR GLAZED OPTION SHOWN (OPEN-IN, INTERIOR GLAZED AVAILABLE)

STANDARD DOOR SILL OPEN-OUT, EXTERIOR GLAZED OPTION SHOWN (OPEN-OUT, INTERIOR GLAZED OPTION AVAILABLE)

STANDARD DOOR SILL OPEN-IN, INTERIOR GLAZED OPTION SHOWN (OPEN-IN, EXTERIOR GLAZED OPTION AVAILABLE)

TYPICAL COUPLING DETAILS



CORPORATE™ W20 DOORS GENERAL ARRANGEMENT

CRITTALL® IS A REGISTERED TRADE MARK OF CRITTALL WINDOWS LIMITED

REF: W20D 01/21 SHEET 1 OF 1