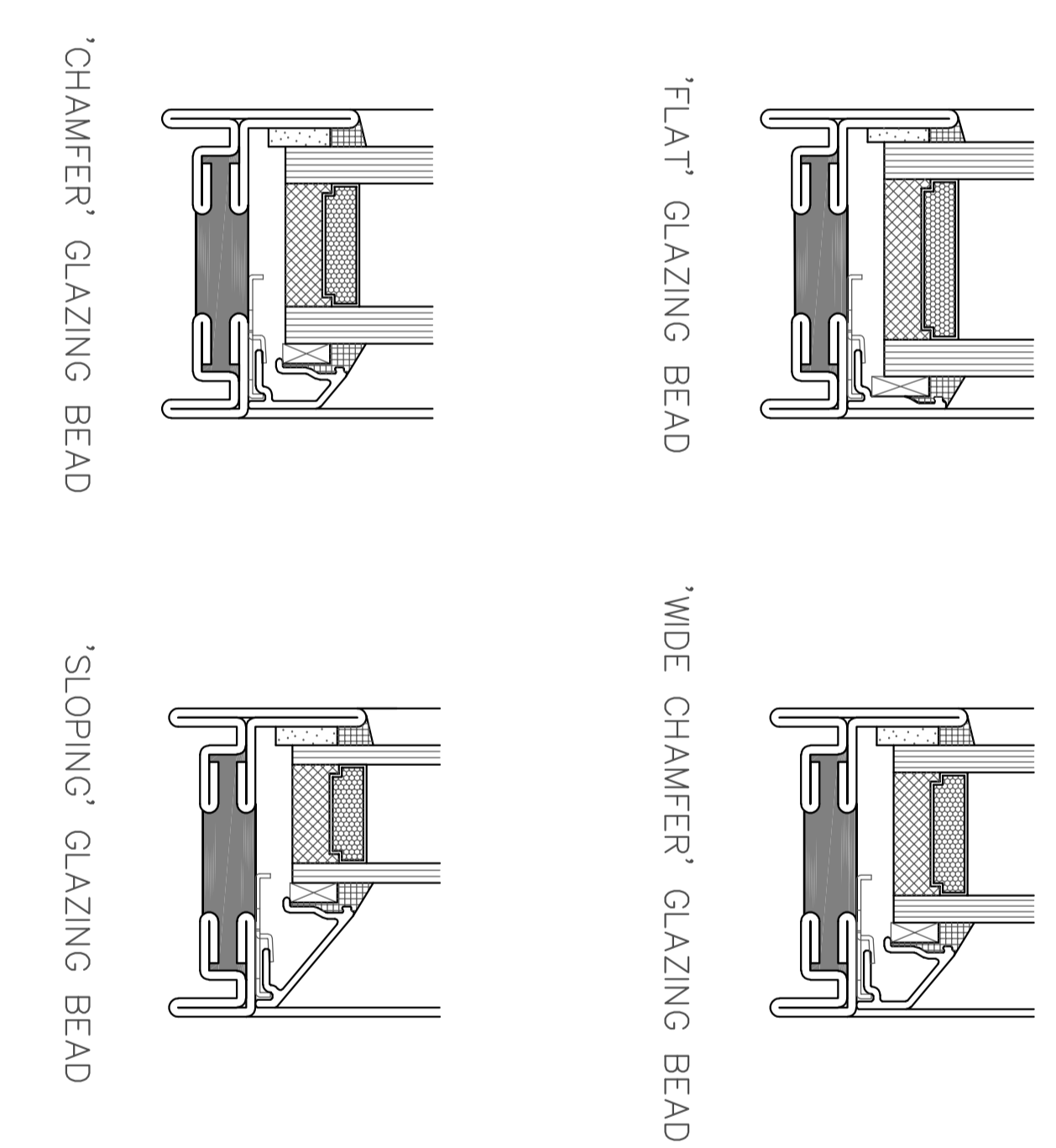
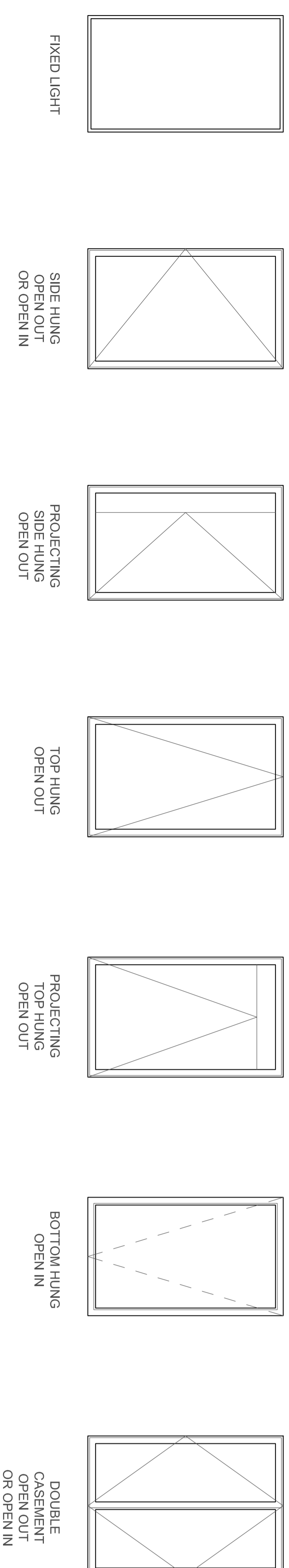
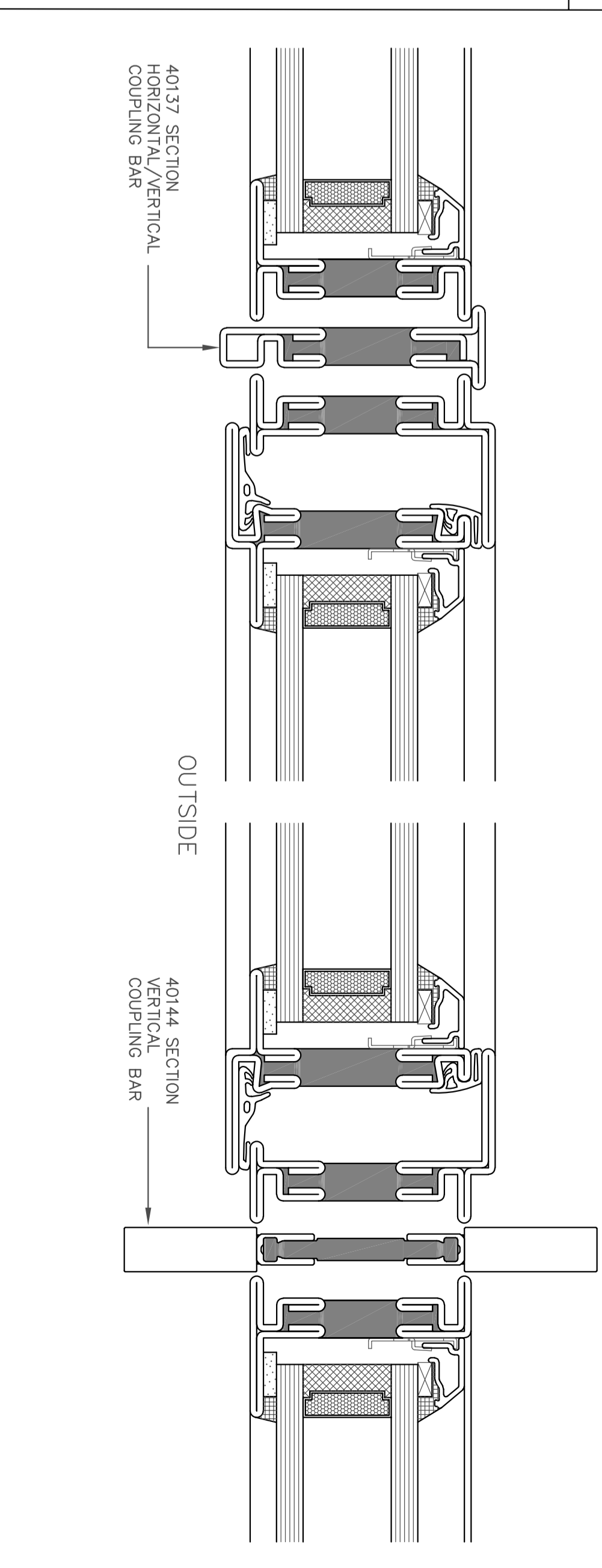
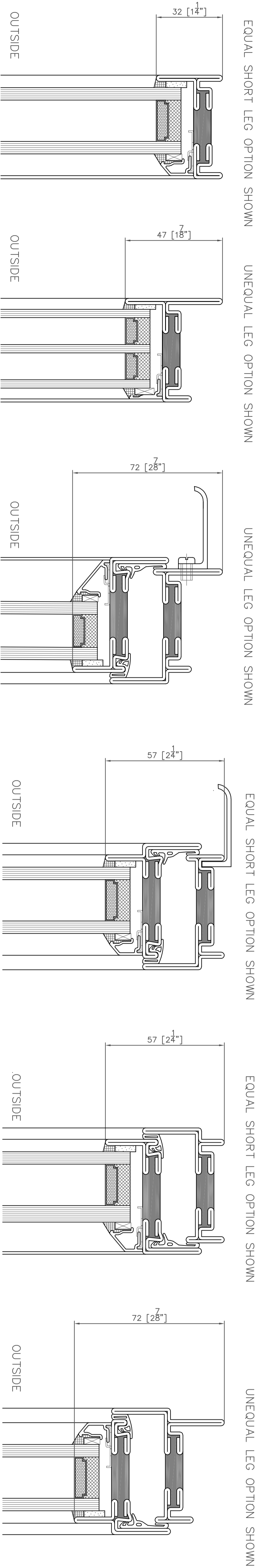
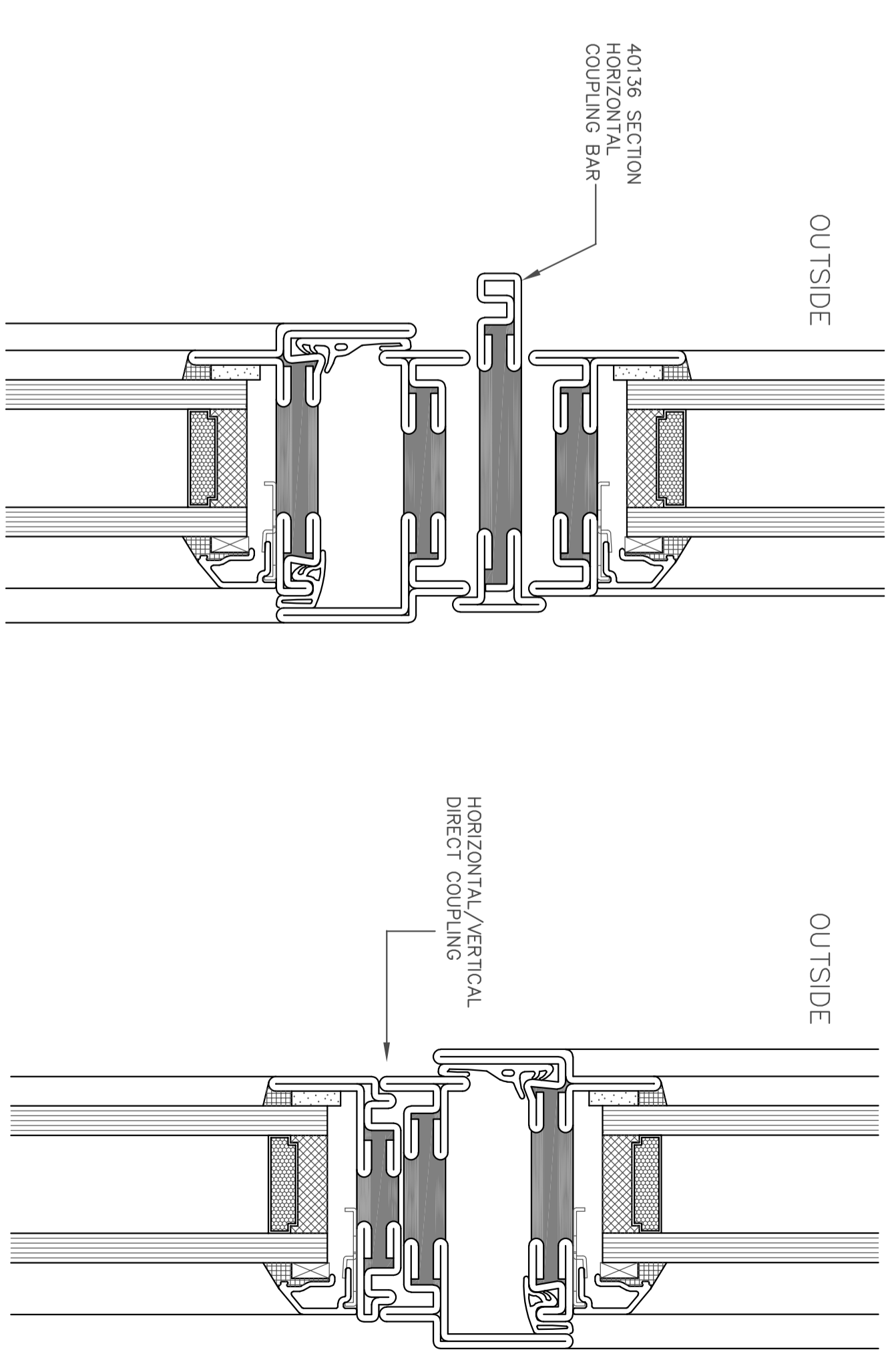


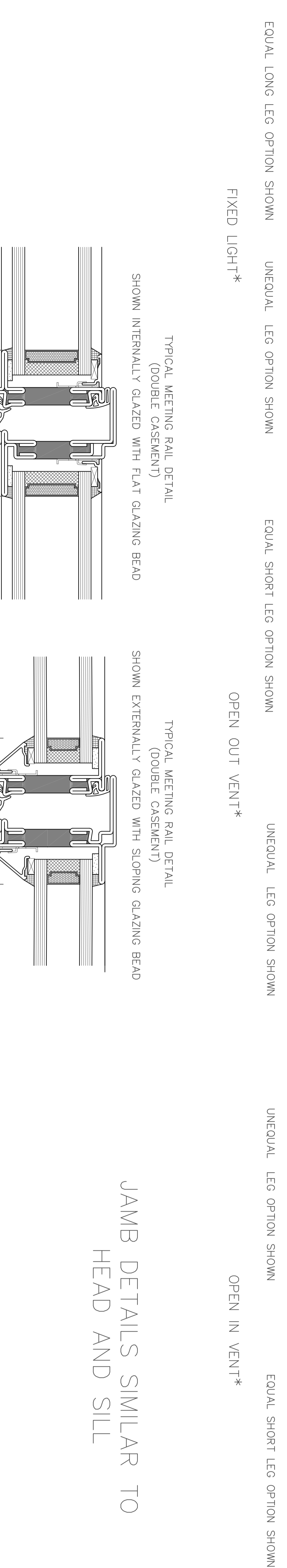
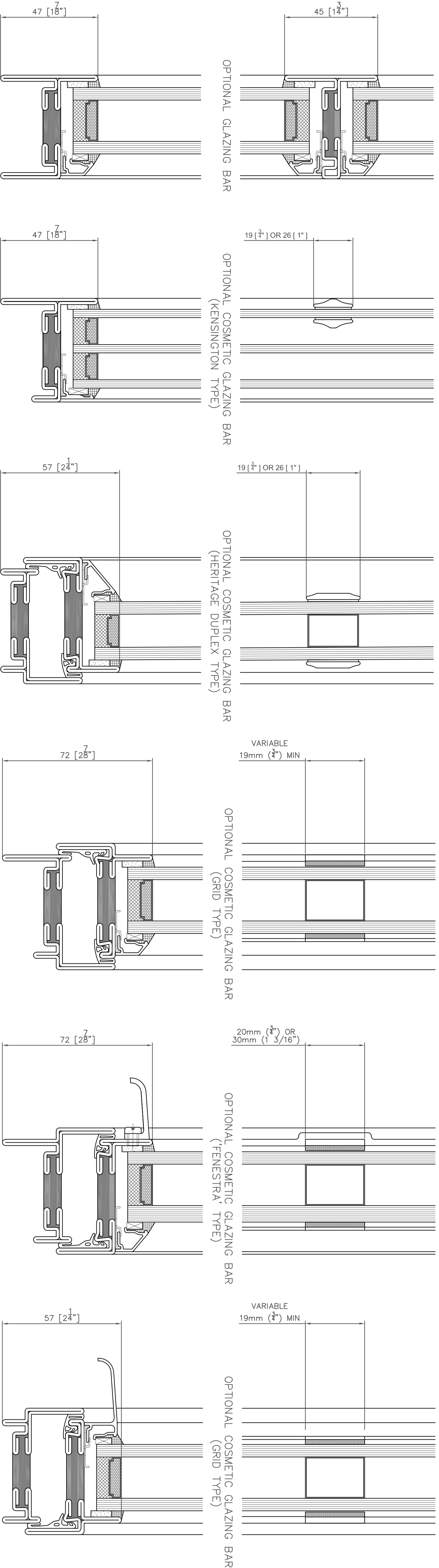
PRODUCT RANGE



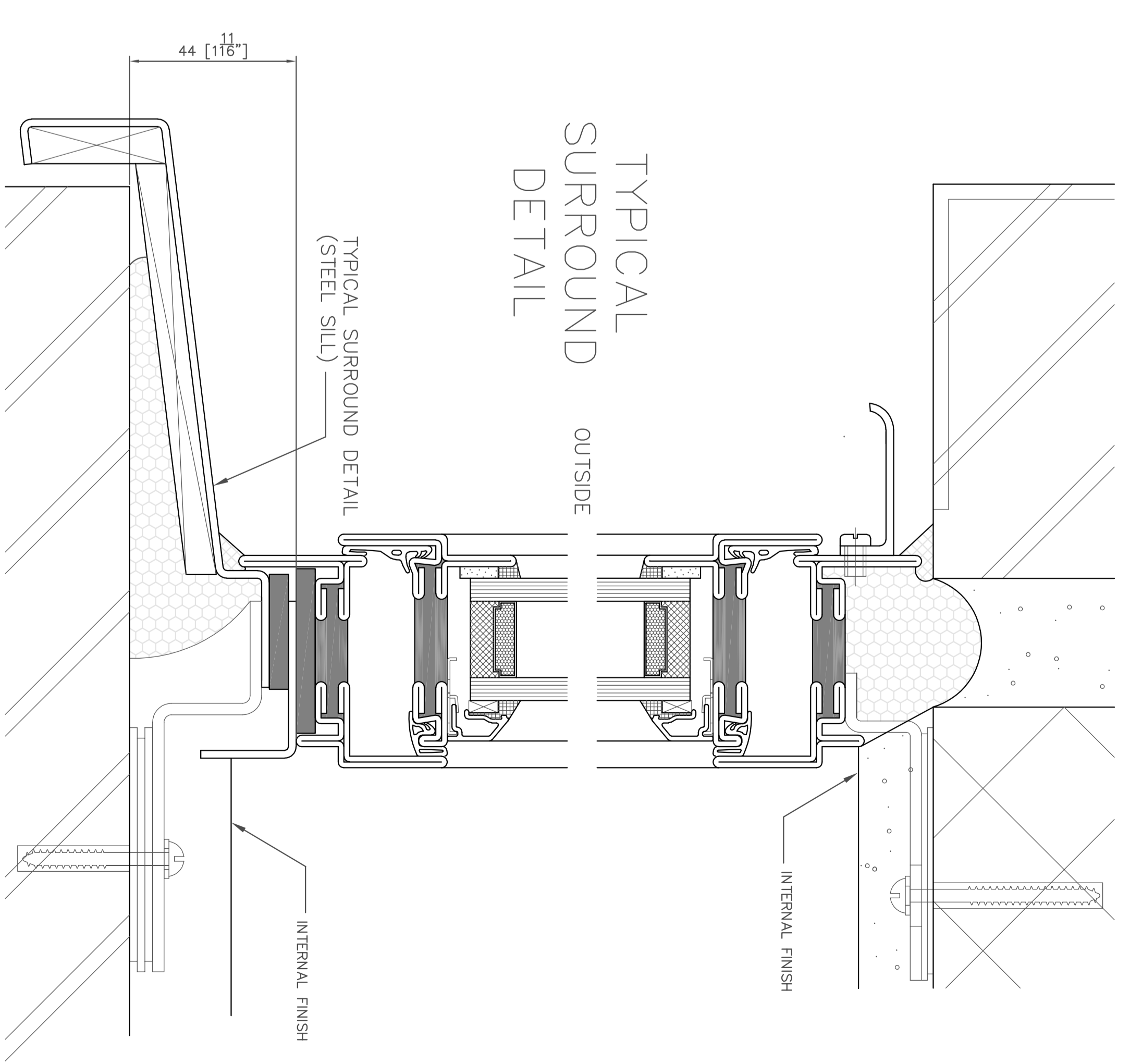
GLAZING BEAD OPTIONS



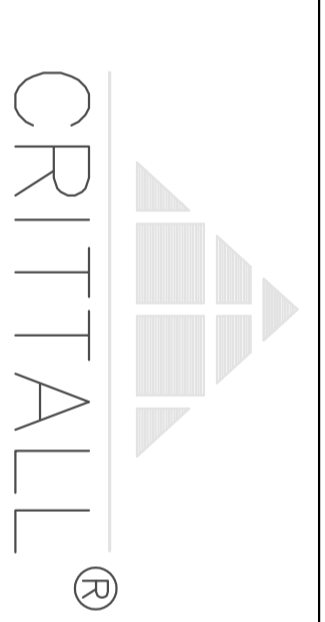
TYPICAL COUPLING DETAILS



JAMB DETAILS SIMILAR TO JAMB HEAD AND SILL



*NOTE: INTERIOR/EXTERIOR GLAZING, WEATHERBAR AND PROFILE OPTIONS ARE AVAILABLE. CONTACT CRITTALL FOR DETAILS



CRITTALL® IS A REGISTERED TRADE MARK OF CRITTALL WINDOWS LIMITED
CRITTALL T60 WINDOW FRAME PROFILES

REF T60 04/21