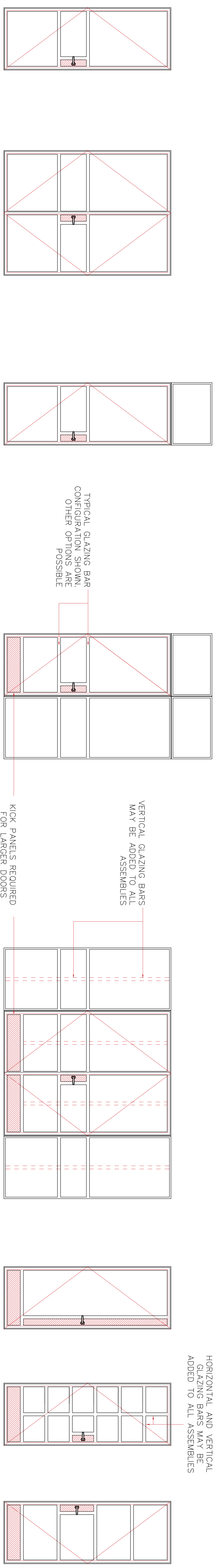


PRODUCT RANGE – SINGLE OR DOUBLE DOORS PLUS OPTIONAL FIXED SIDE LIGHTS AND/OR TOP (FAN) LIGHTS. DOORS MAY BE COUPLED TO ANY OTHER T60 WINDOW TYPES TO FORM LARGE SCREENS OR WINDOW WALLS. DOORS MAY SWING INWARDS OR OUTWARDS AND CAN BE GLAZED FROM EITHER SIDE



HORIZONTAL AND VERTICAL GLAZING BARS MAY BE ADDED TO ALL ASSEMBLIES

TYPICAL SINGLE DOOR TYPICAL DOUBLE DOOR TYPICAL SINGLE DOOR WITH TOP-LIGHT TYPICAL SINGLE DOOR WITH SIDE-LIGHT AND TOP-LIGHTS TYPICAL DOUBLE DOOR WITH SIDE-LIGHTS ('BELGIUM DOOR') FURTHER DOOR ARRANGEMENT EXAMPLES SHOWN

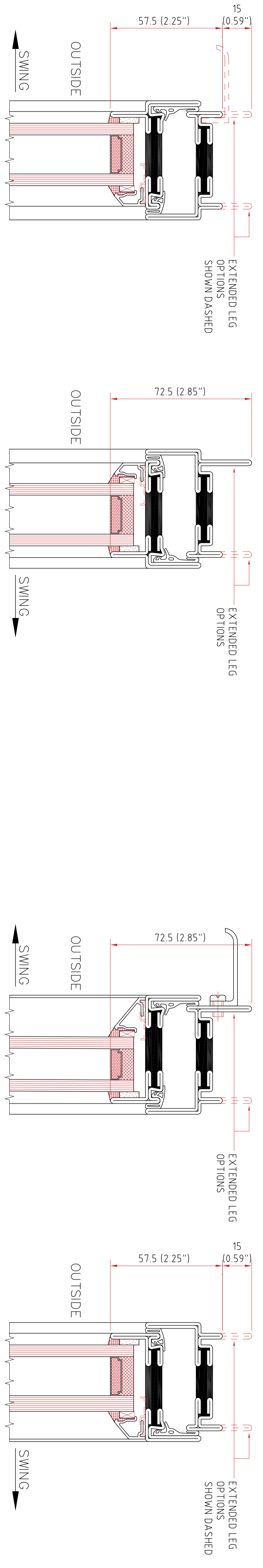
FRAME PROFILES

DOOR FRAME (USE AT HEAD AND/OR JAMBS) INTERIOR GLAZED OPTION SHOWN

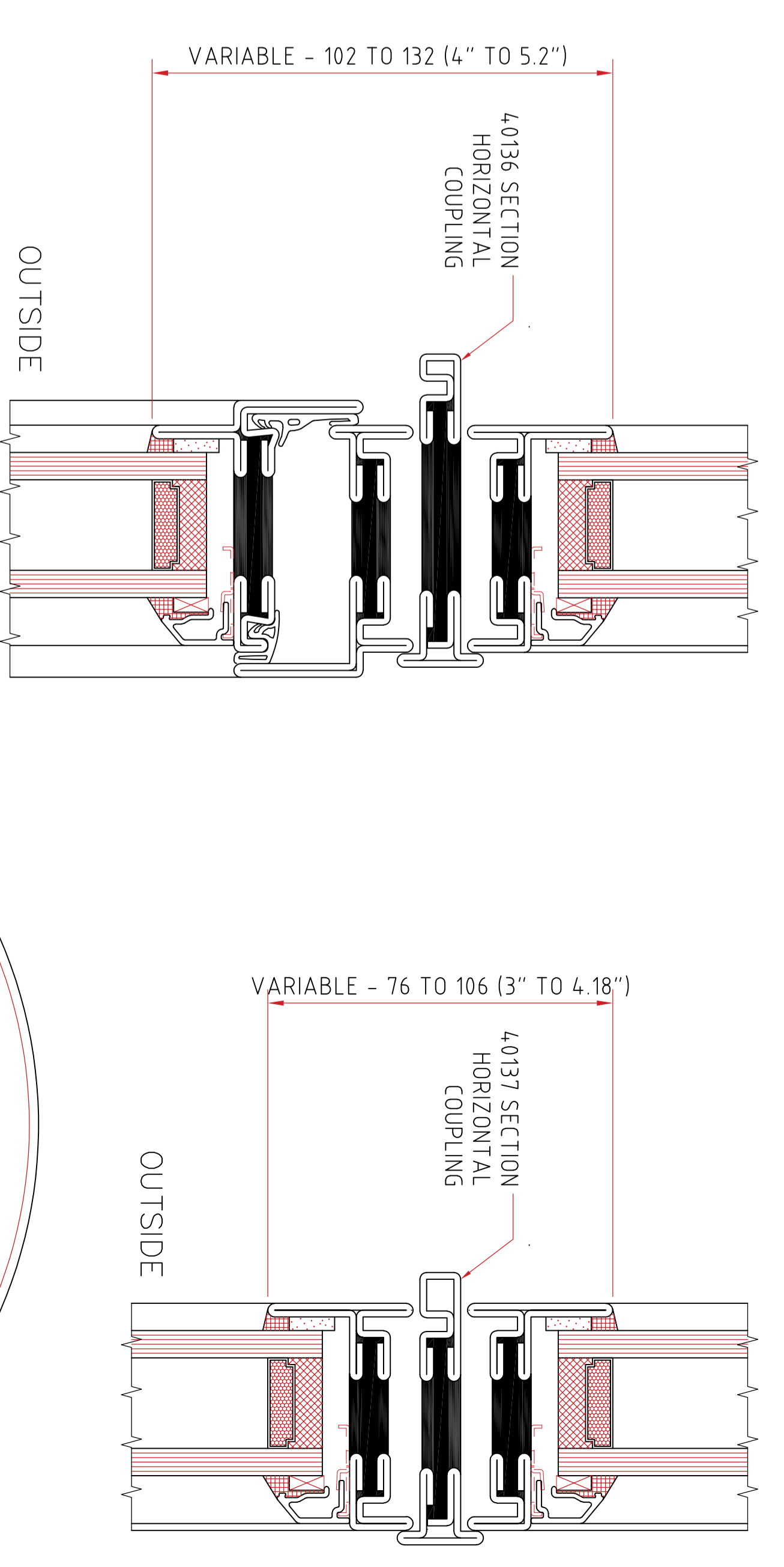
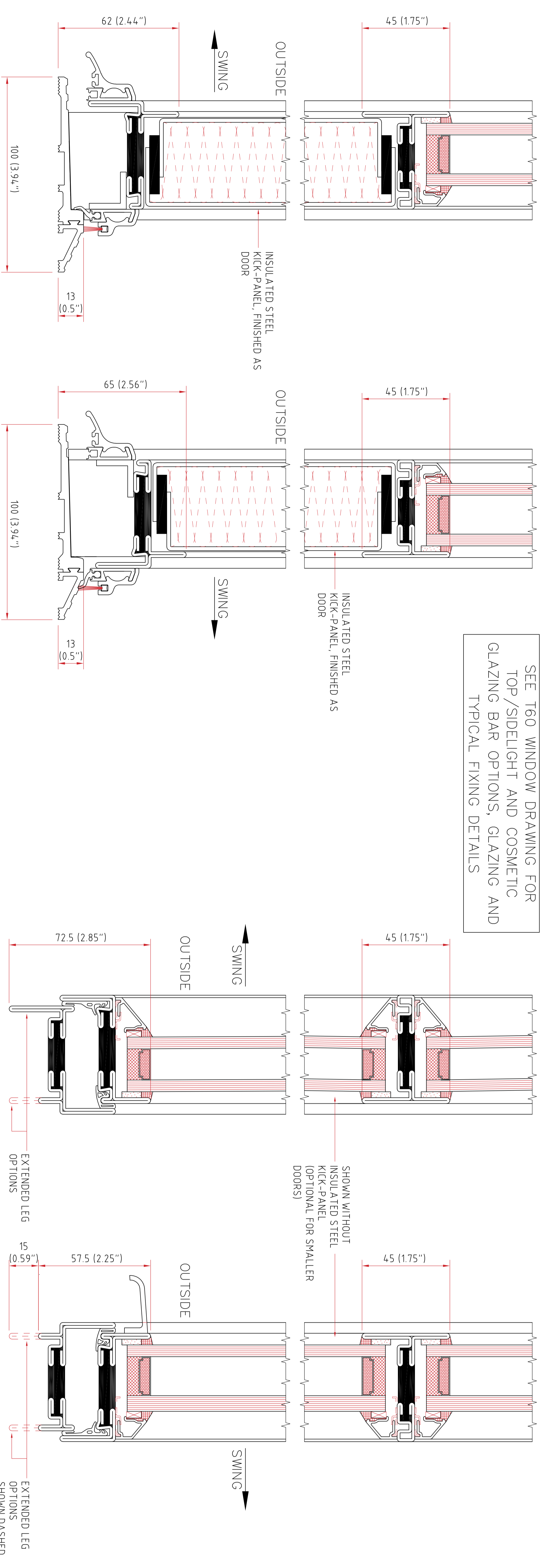
DOOR FRAME (USE AT HEAD AND/OR JAMBS) EXTERIOR GLAZED OPTION SHOWN

DOOR FRAME (USE AT HEAD AND/OR JAMBS) INTERIOR GLAZED OPTION SHOWN

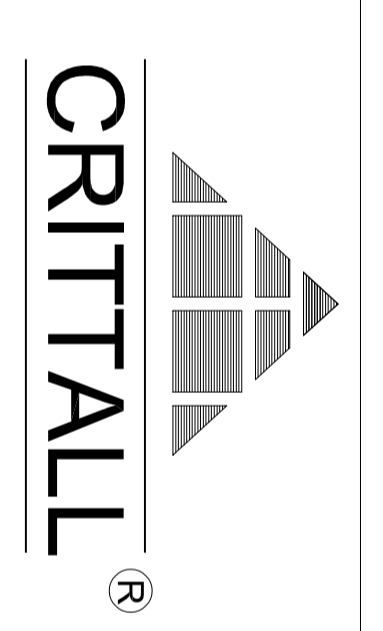
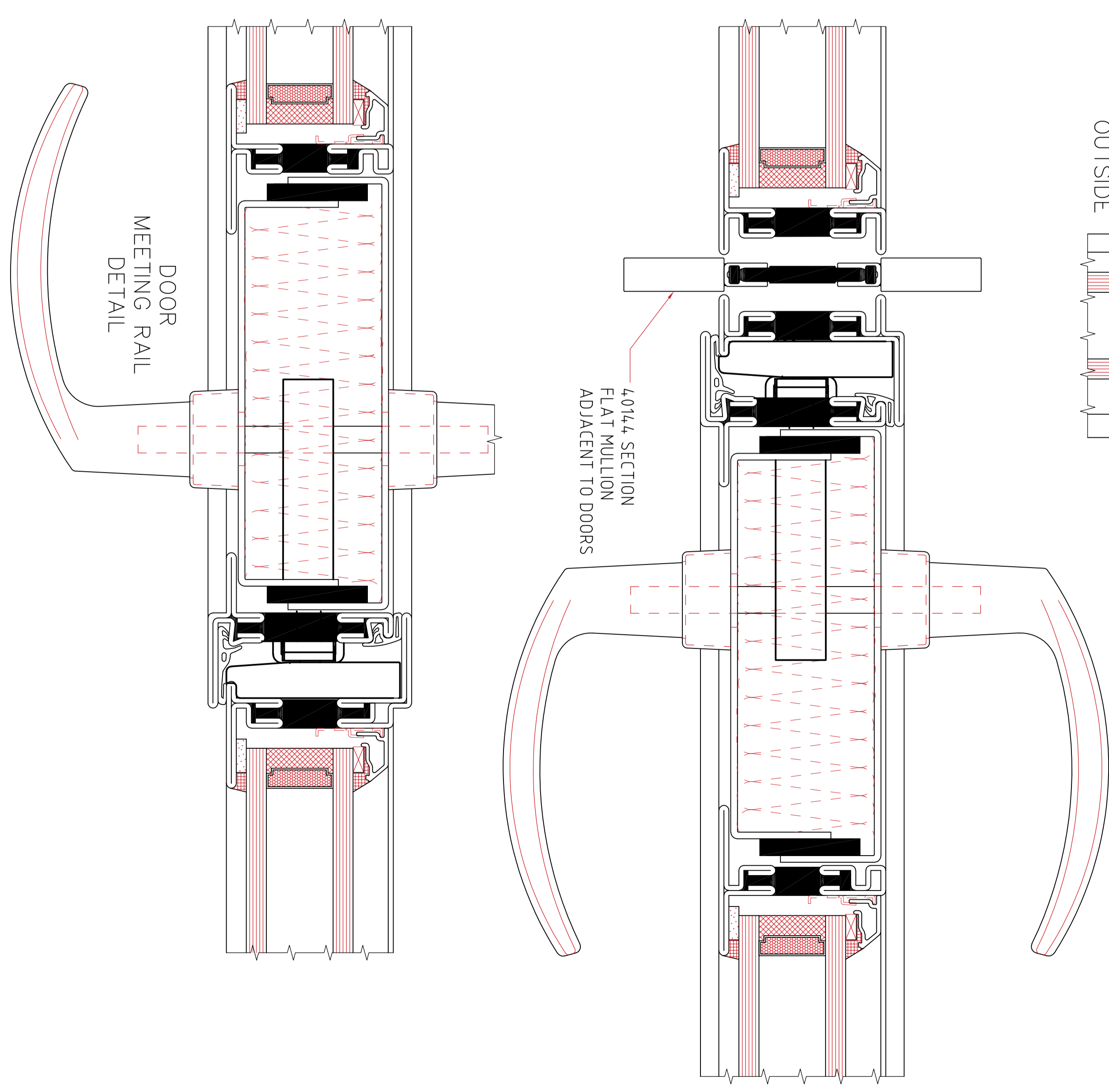
DOOR FRAME (USE AT HEAD AND/OR JAMBS) INTERIOR GLAZED OPTION SHOWN



SEE T60 WINDOW DRAWING FOR TOP/SIDELIGHT AND COSMETIC GLAZING BAR OPTIONS, GLAZING AND TYPICAL FIXING DETAILS



TYPICAL COUPLING DETAILS



T60 DOORS
GENERAL ARRANGEMENT
CRITTALL® IS A REGISTERED TRADE MARK OF CRITTALL WINDOWS LIMITED

REF: T60D 04/21
SHEET 1 OF 1