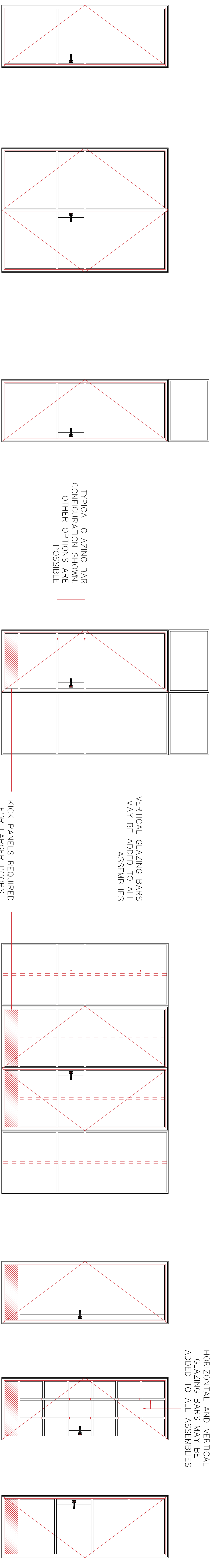
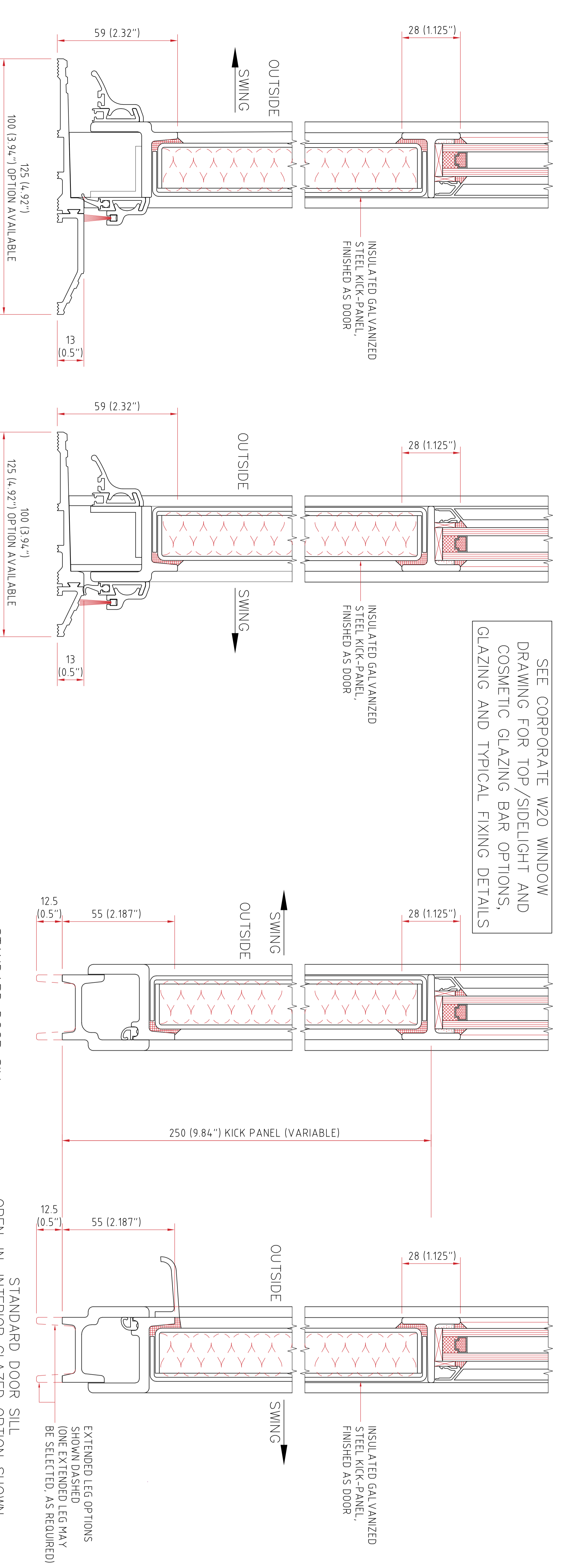
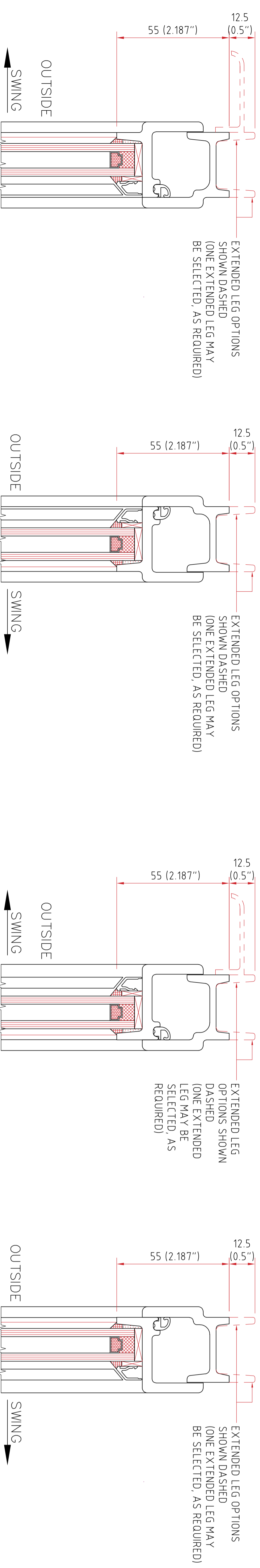


PRODUCT RANGE – SINGLE OR DOUBLE DOORS PLUS OPTIONAL FIXED SIDE LIGHTS AND/OR TOP (FAN) LIGHTS.  
DOORS MAY BE COUPLED TO ANY OTHER W20 WINDOW TYPES TO FORM LARGE SCREENS OR WINDOW WALLS.  
DOORS MAY SWING INWARDS OR OUTWARDS AND CAN BE GLAZED FROM EITHER SIDE



TYPICAL SINGLE DOOR WITH TOP-LIGHT  
TYPICAL DOUBLE DOOR WITH TOP-LIGHT  
TYPICAL SINGLE DOOR WITH SIDE-LIGHT AND TOP-LIGHTS  
TYPICAL DOUBLE DOOR WITH SIDE-LIGHTS ('BELGIUM DOOR')

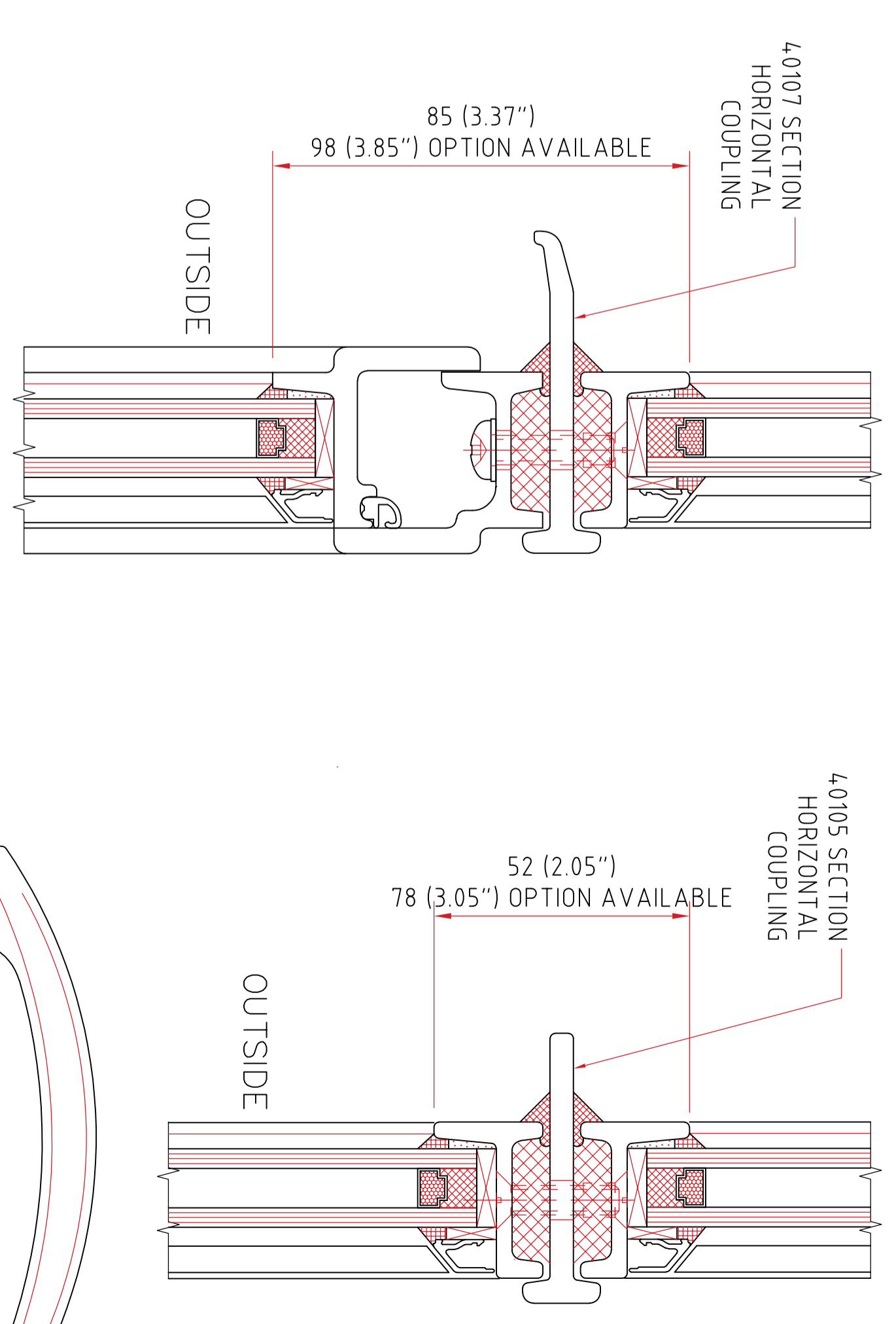
FRAME PROFILES



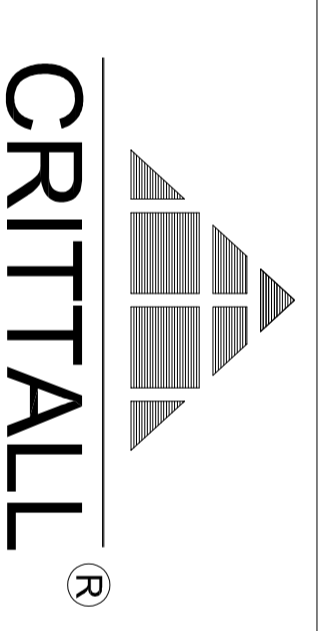
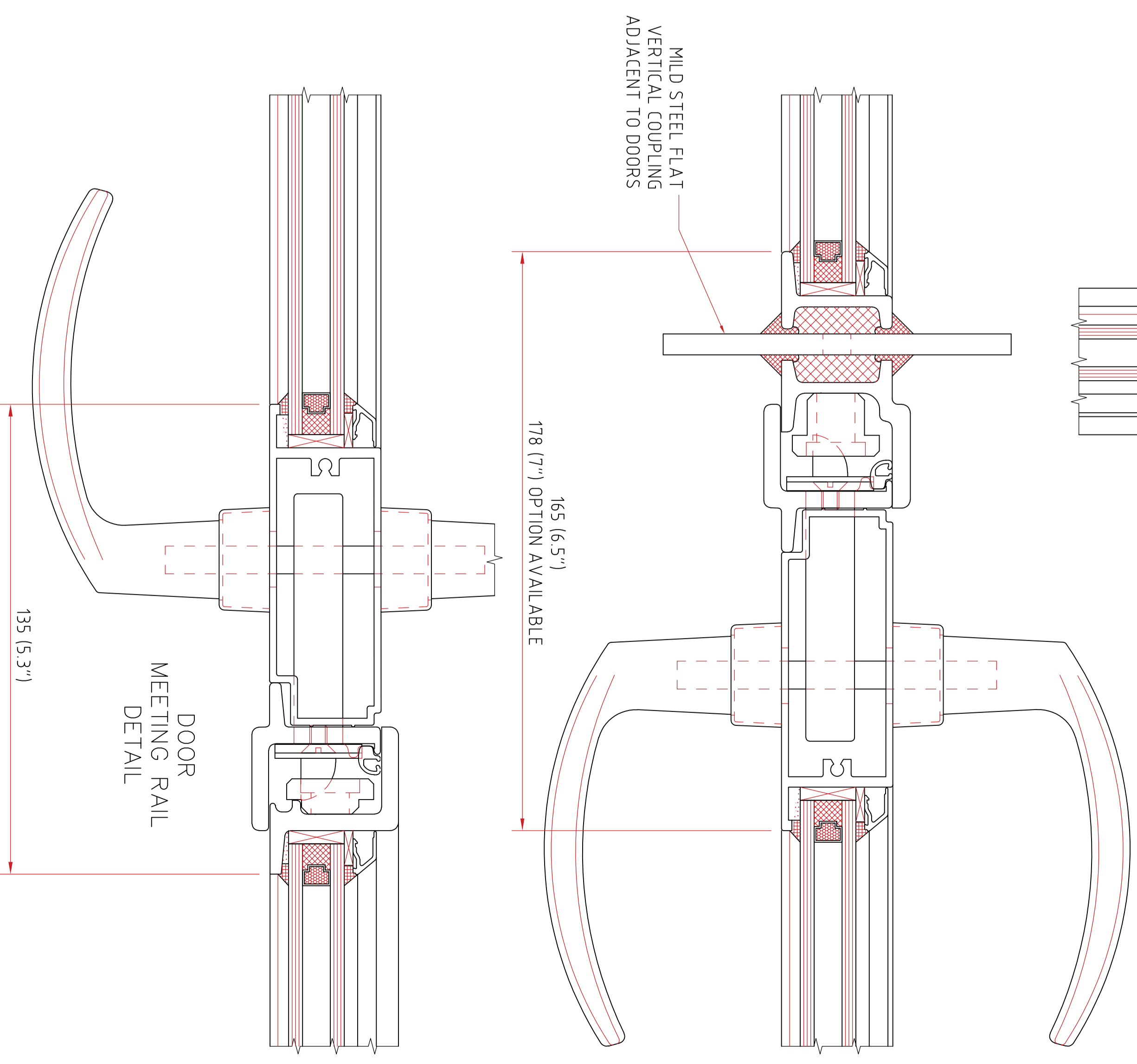
DDA/ADA COMPLIANT THRESHOLD OPEN-OUT, INTERIOR GLAZED OPTION SHOWN (OPEN-OUT, EXTERIOR GLAZED AVAILABLE)

DDA/ADA COMPLIANT THRESHOLD OPEN-IN, EXTERIOR GLAZED OPTION SHOWN (OPEN-IN, INTERIOR GLAZED AVAILABLE)

TYPICAL COUPLING DETAILS



FURTHER DOOR ARRANGEMENT EXAMPLES SHOWN



CORPORATE™ W20 DOORS  
GENERAL ARRANGEMENT

REF: W20D 05/21  
SHEET 1 OF 1