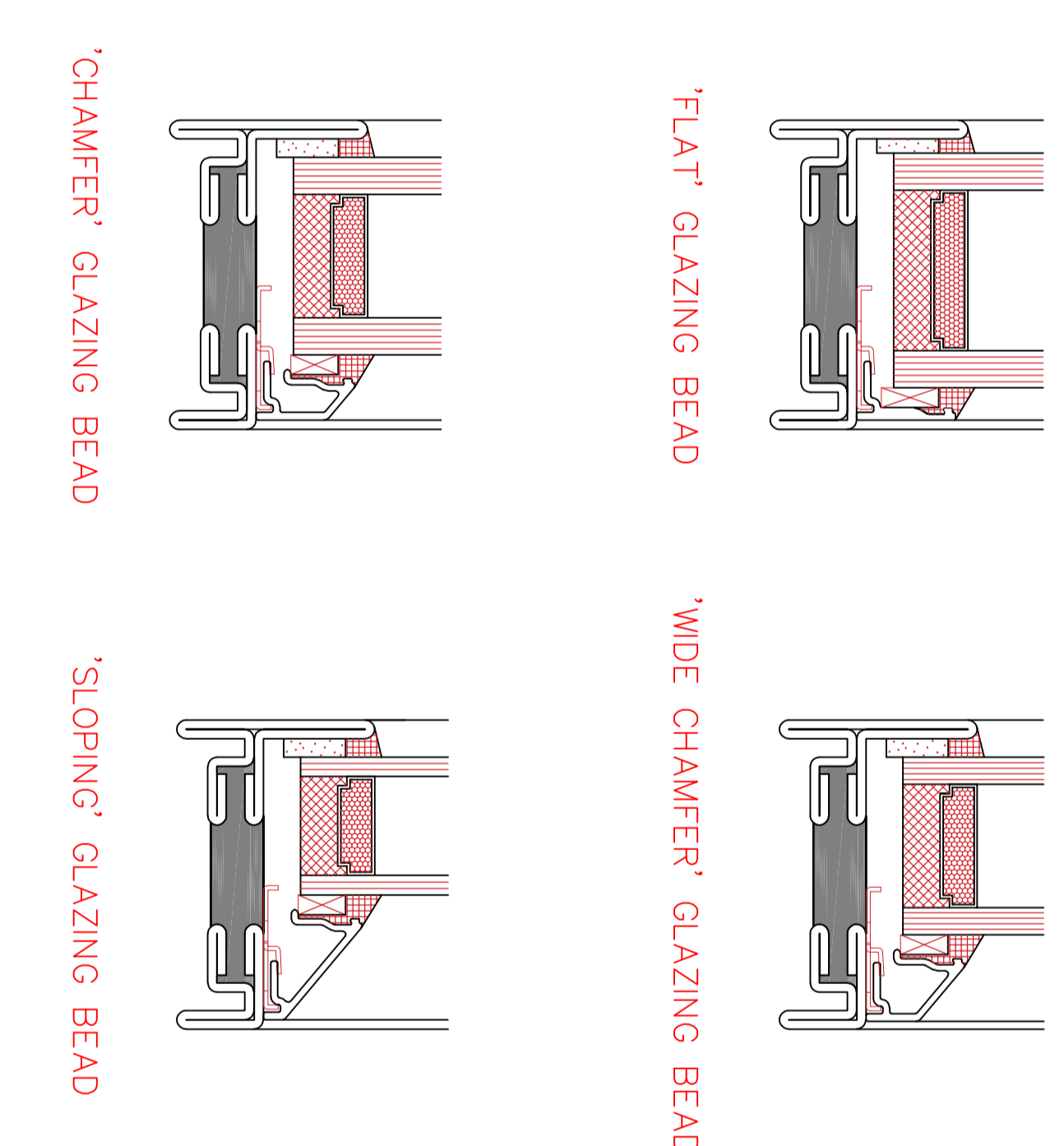
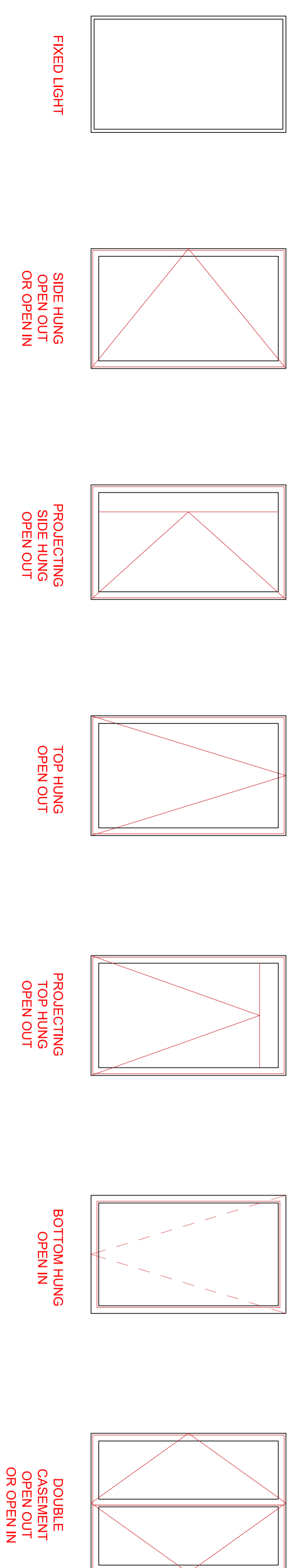
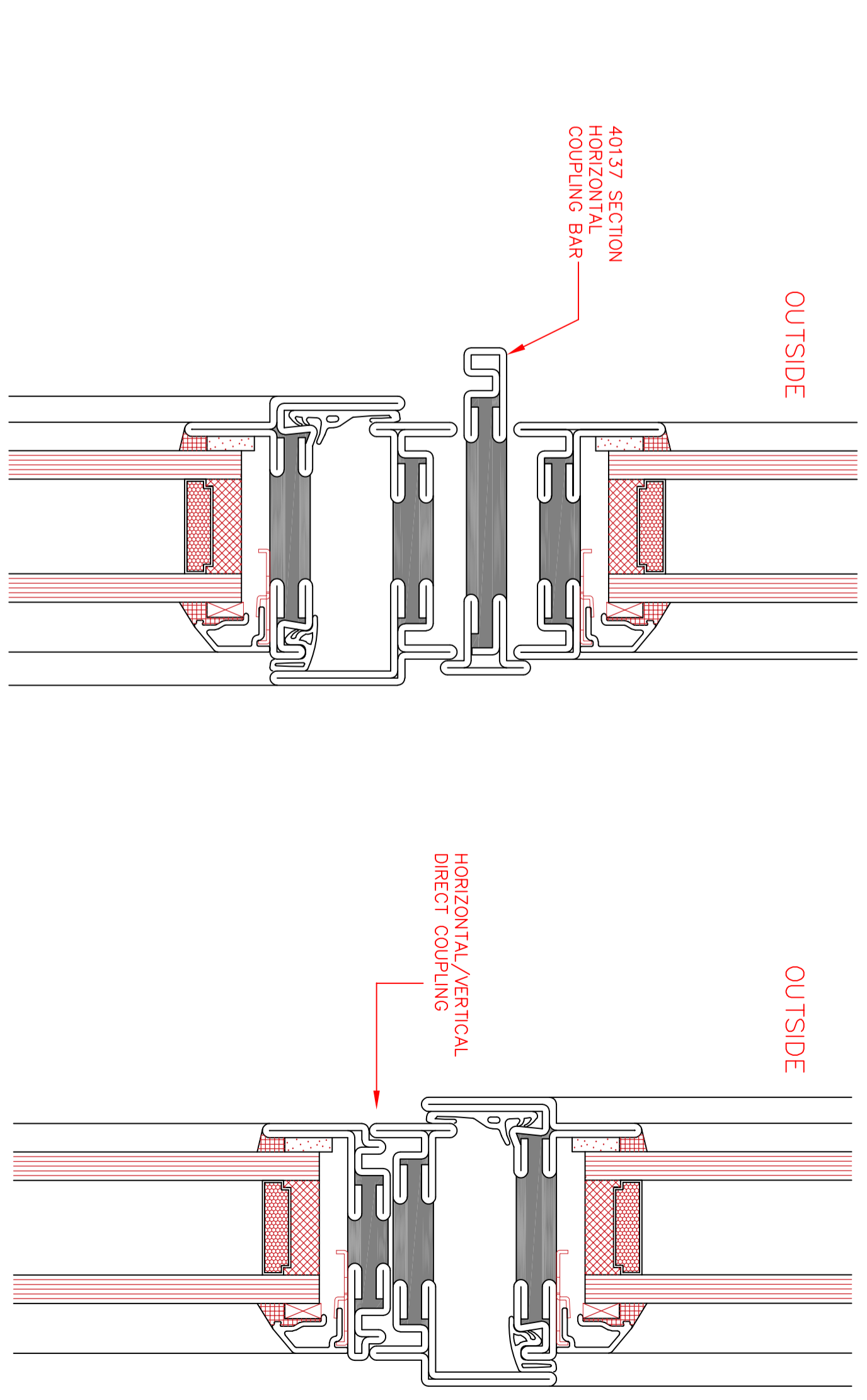


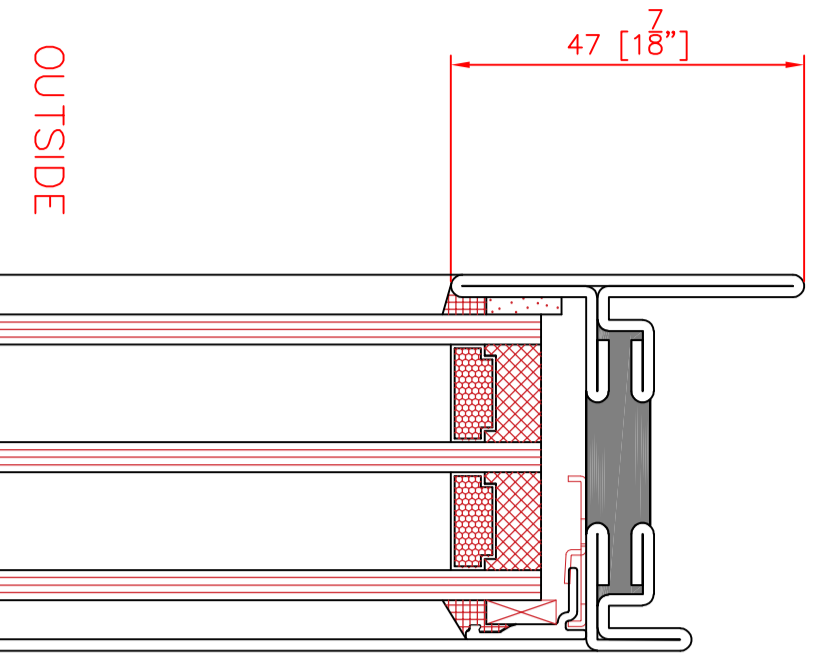
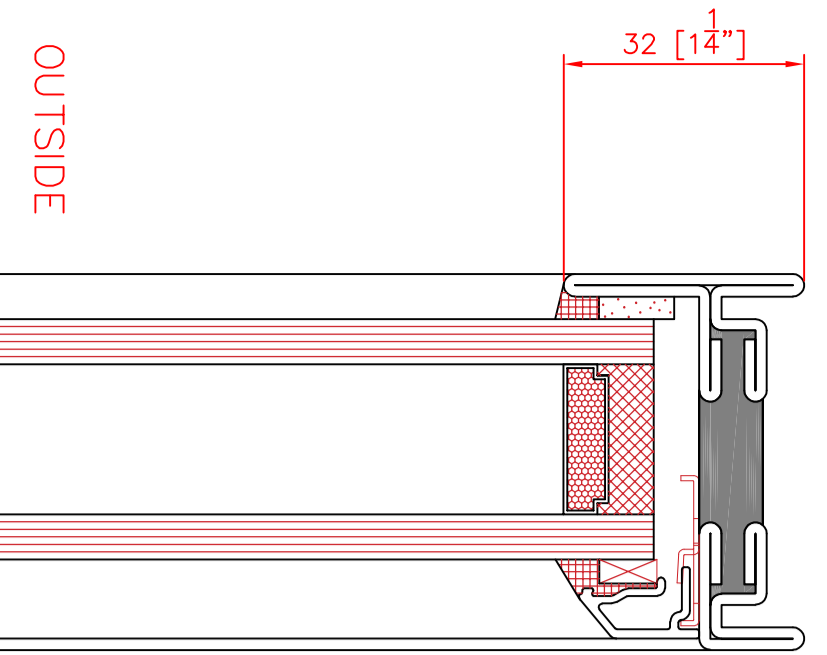
PRODUCT RANGE



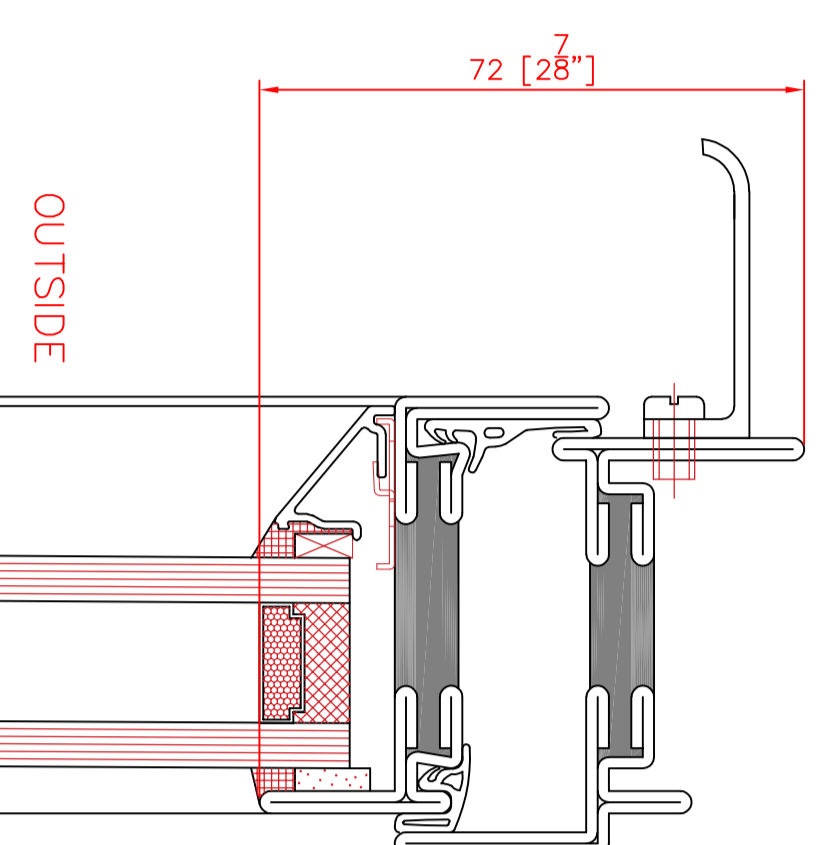
GLAZING BEAD OPTIONS



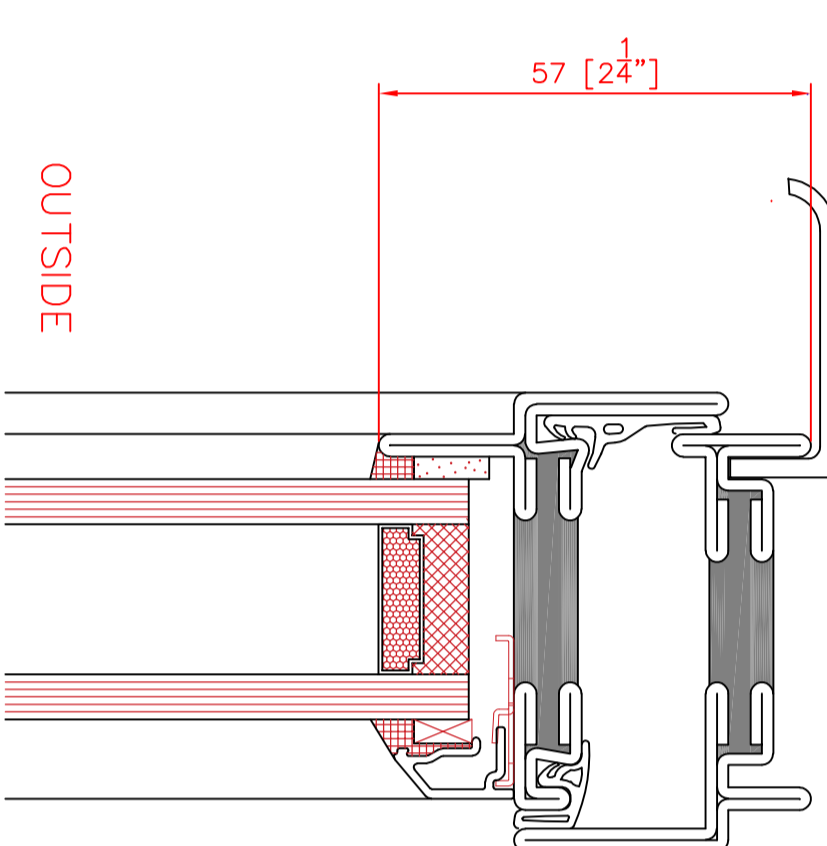
EQUAL SHORT LEG OPTION SHOWN



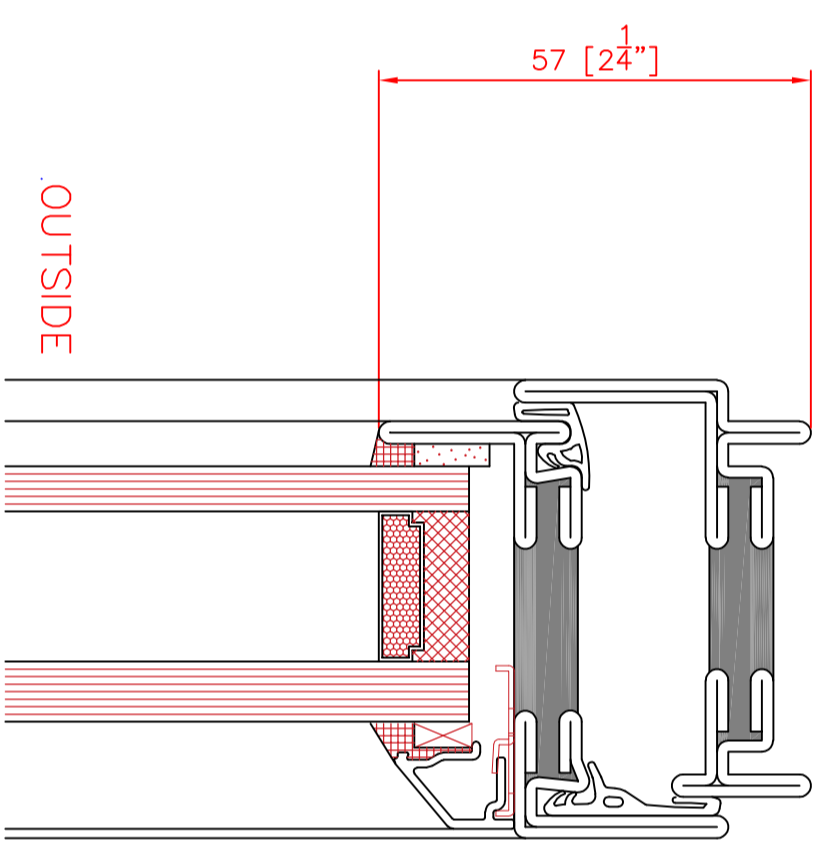
UNEQUAL LEG OPTION SHOWN



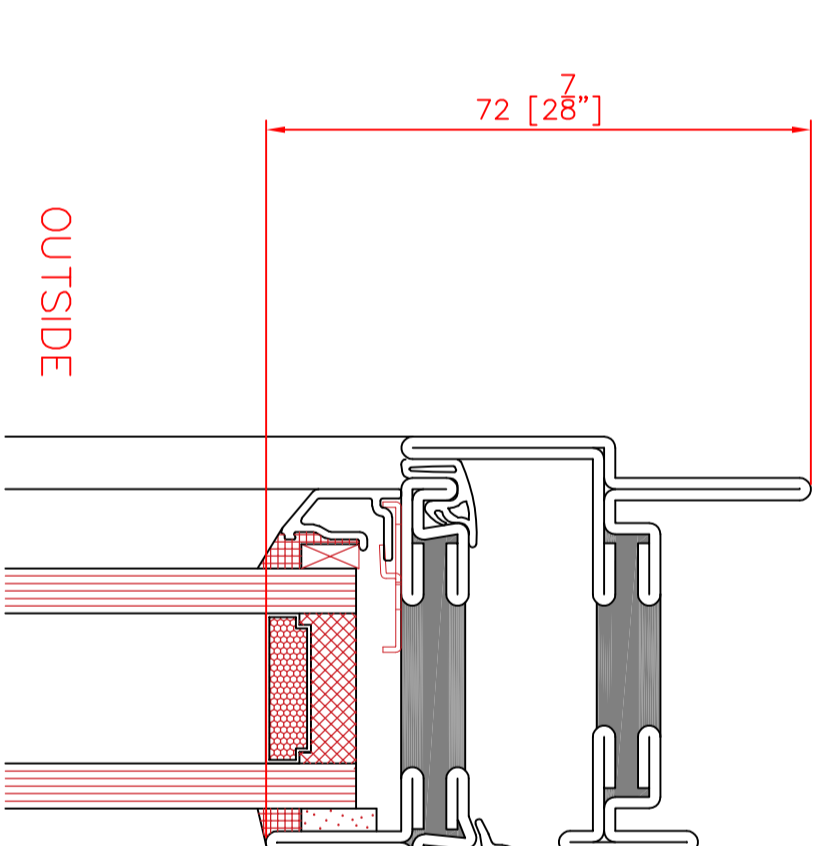
UNEQUAL LEG OPTION SHOWN



EQUAL SHORT LEG OPTION SHOWN

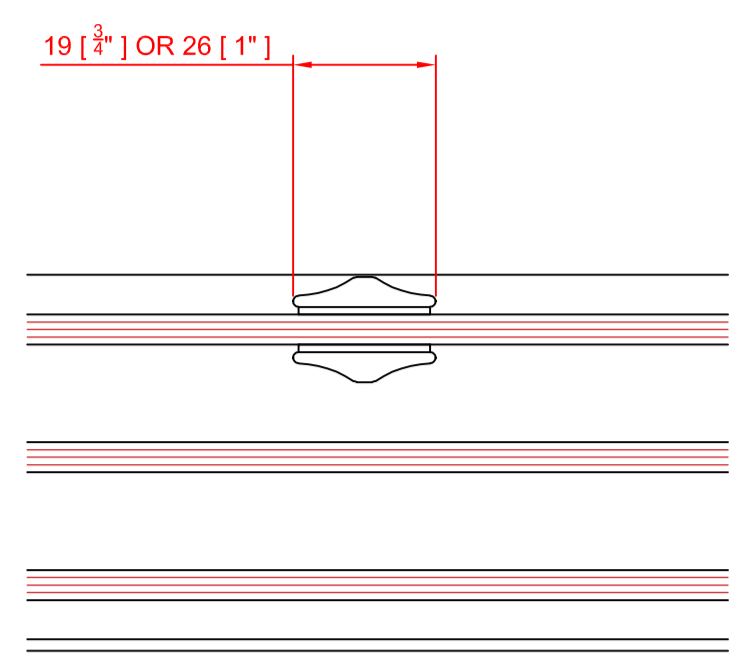
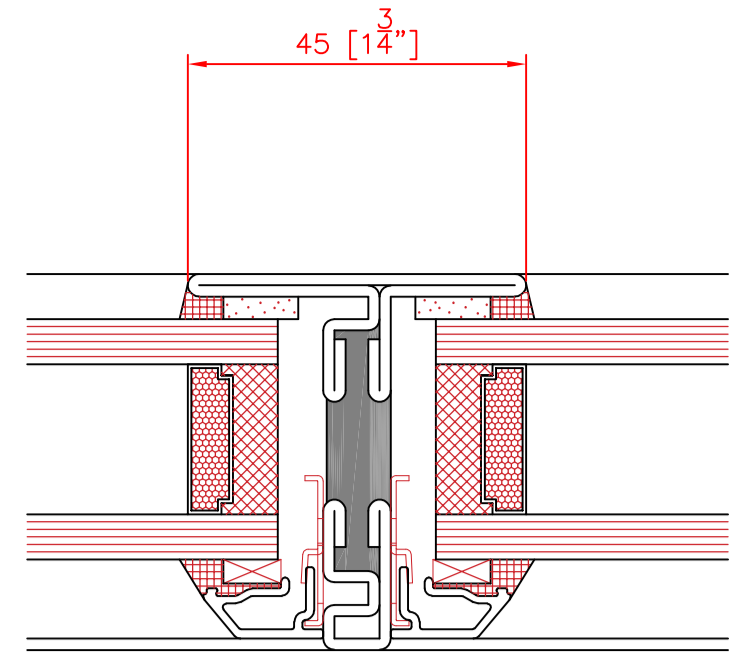


EQUAL SHORT LEG OPTION SHOWN

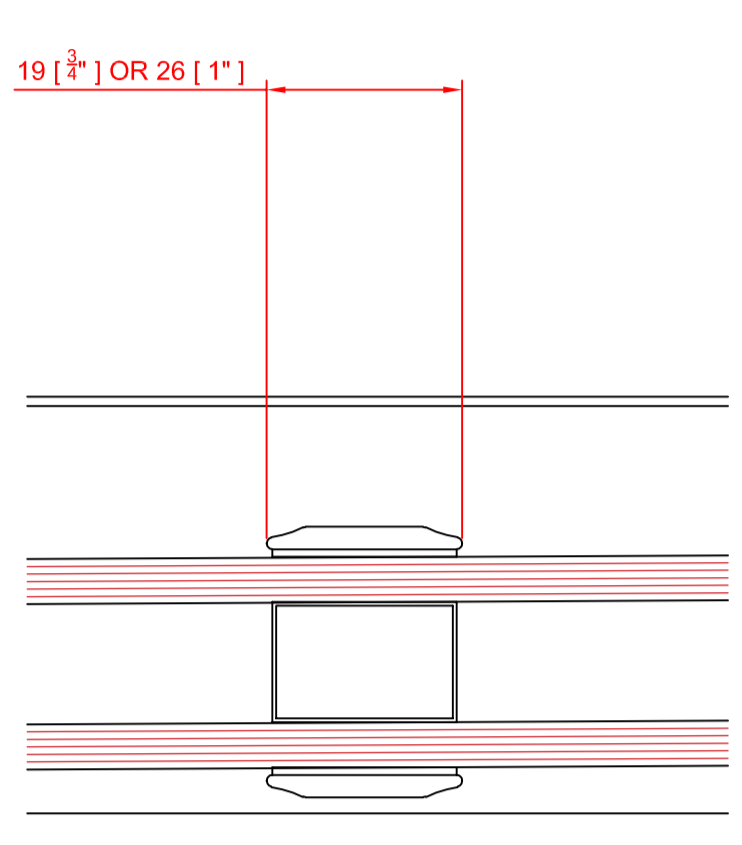


UNEQUAL LEG OPTION SHOWN

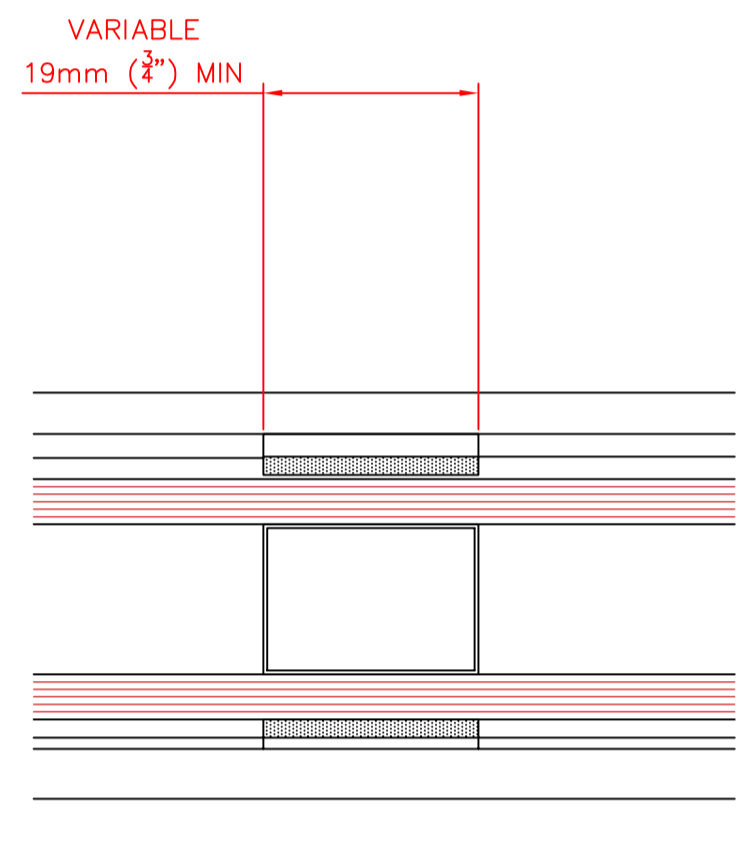
OPTIONAL GLAZING BAR



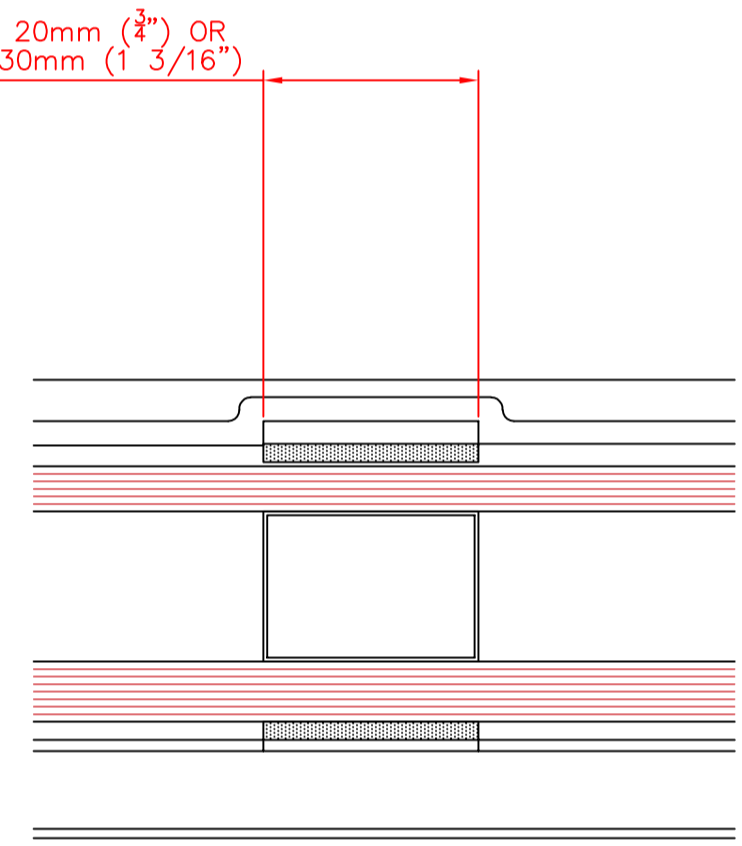
OPTIONAL COSMETIC GLAZING BAR (KENINGTON TYPE)



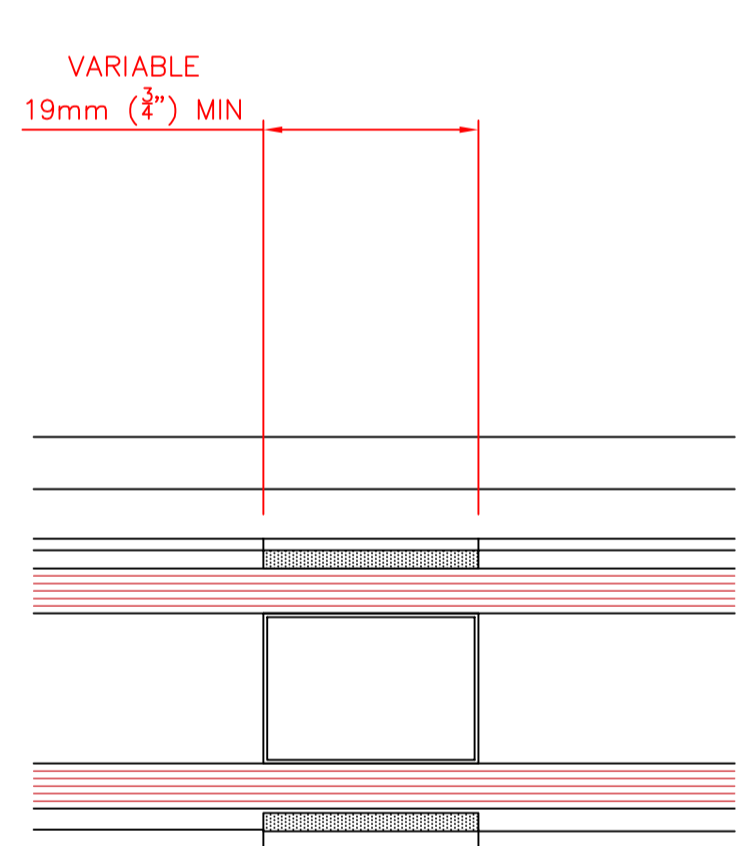
OPTIONAL COSMETIC GLAZING BAR (HERITAGE DUPLEX TYPE)



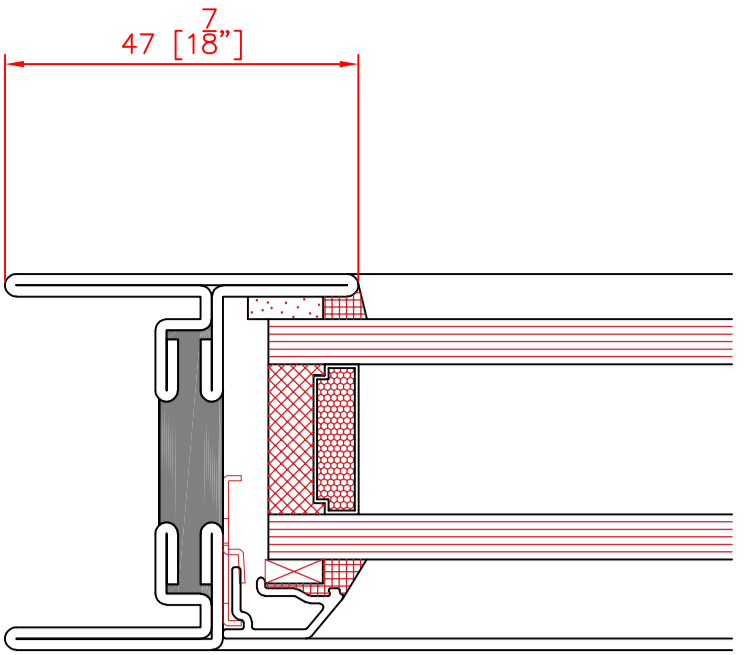
OPTIONAL COSMETIC GLAZING BAR (GRID TYPE)



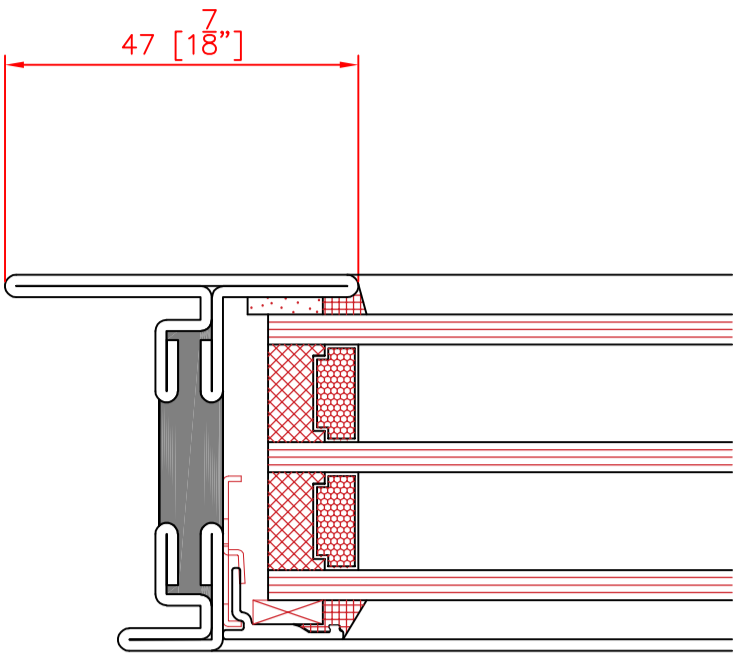
OPTIONAL COSMETIC GLAZING BAR (FENESTRA TYPE)



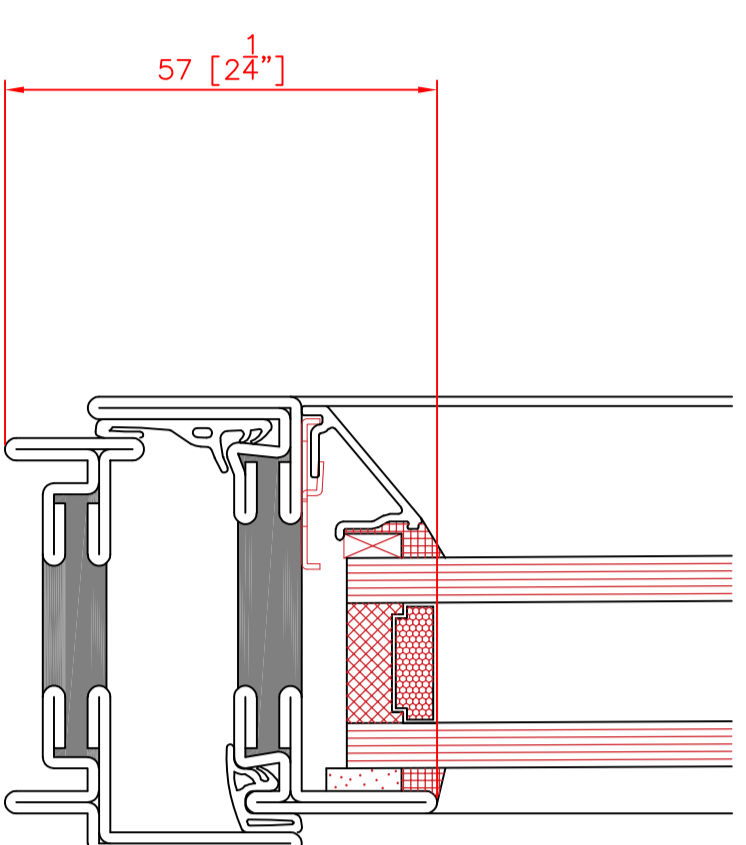
OPTIONAL COSMETIC GLAZING BAR (GRID TYPE)



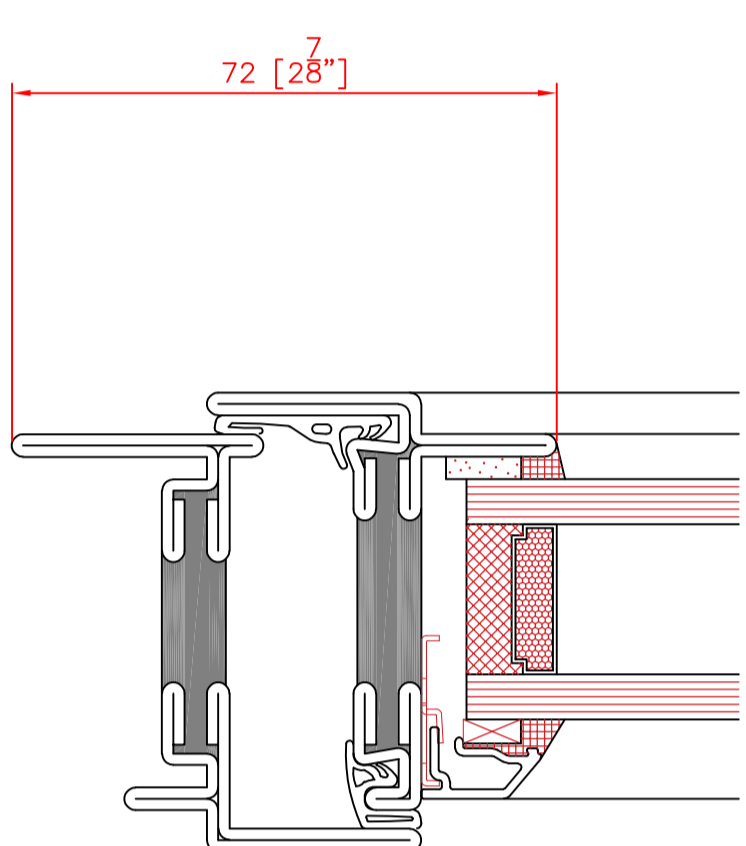
EQUAL LONG LEG OPTION SHOWN



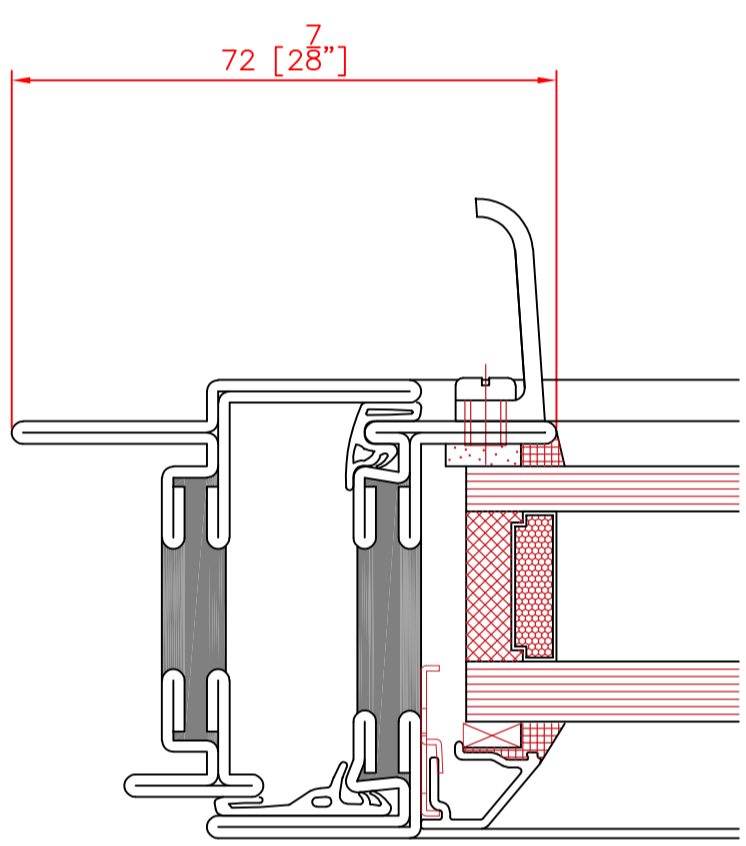
UNEQUAL LEG OPTION SHOWN



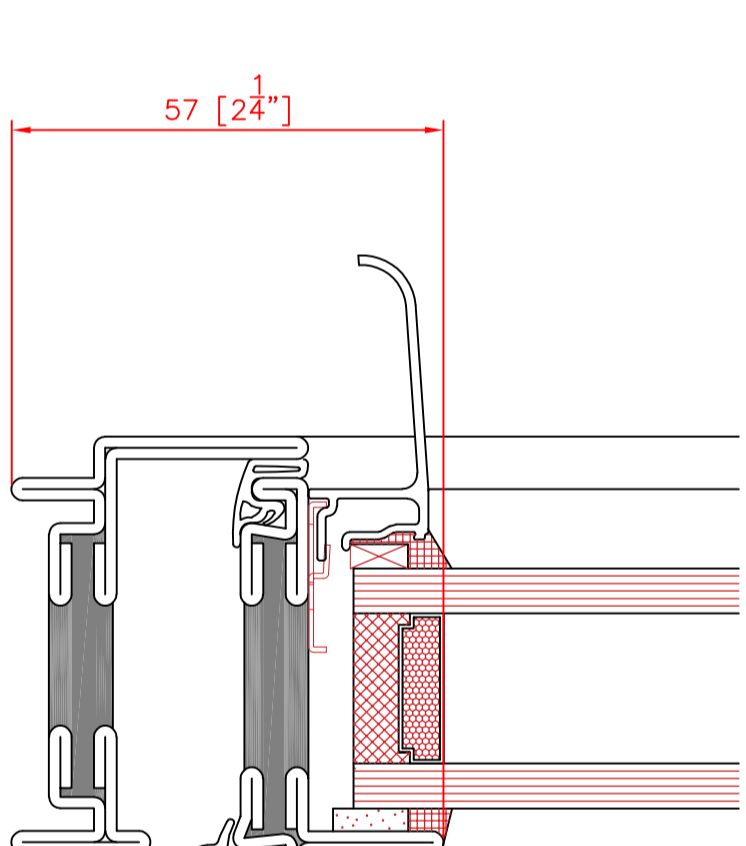
EQUAL SHORT LEG OPTION SHOWN



UNEQUAL LEG OPTION SHOWN



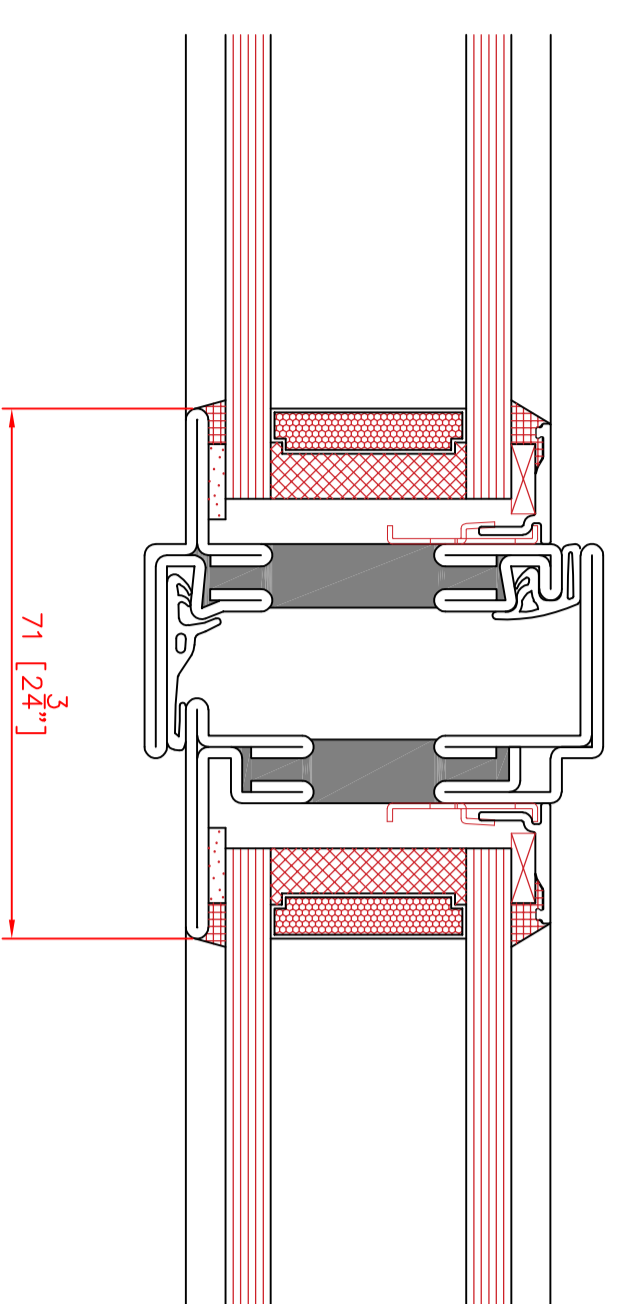
UNEQUAL LEG OPTION SHOWN



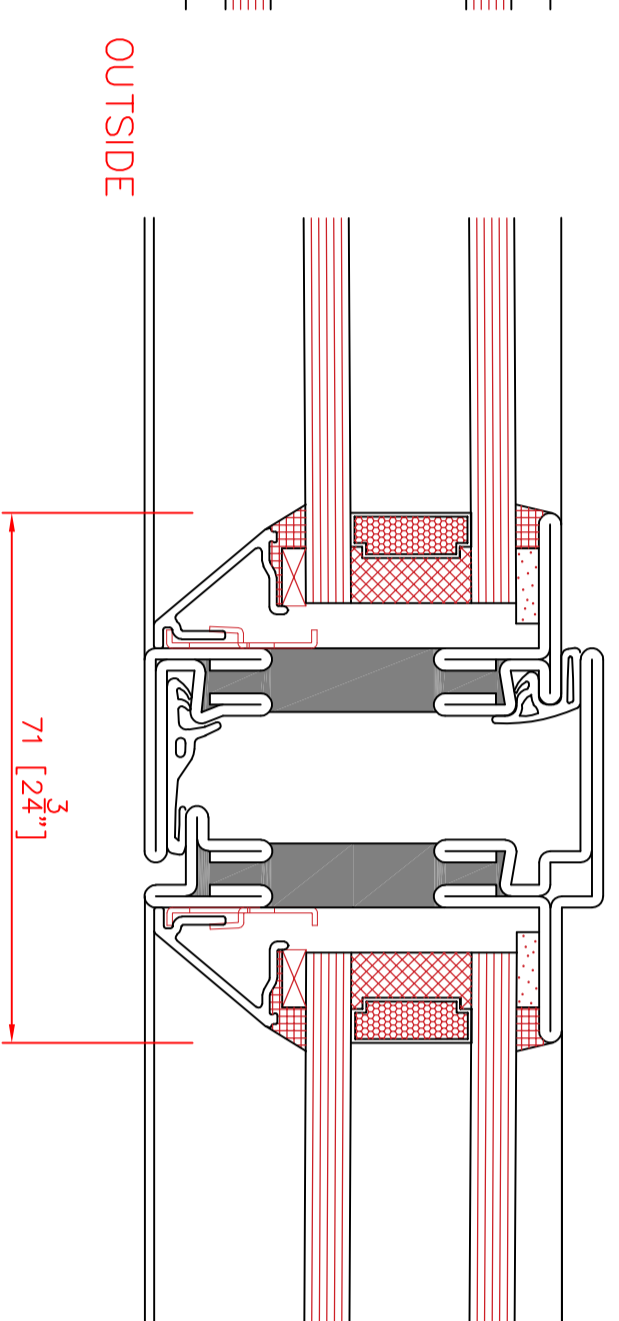
EQUAL SHORT LEG OPTION SHOWN

FIXED LIGHT*

TYPICAL MEETING RAIL DETAIL (DOUBLE CASEMENT)
SHOWN INTERNALLY GLAZED WITH FLAT GLAZING BEAD

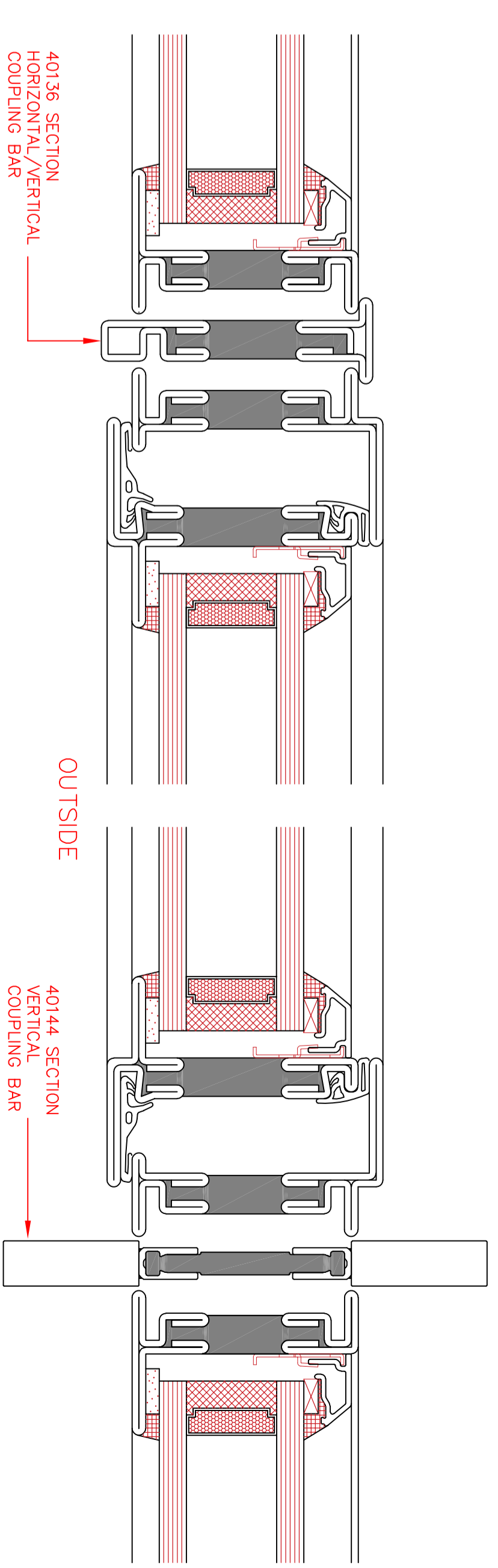


TYPICAL MEETING RAIL DETAIL (DOUBLE CASEMENT)
SHOWN EXTERNALLY GLAZED WITH SLOPING GLAZING BEAD

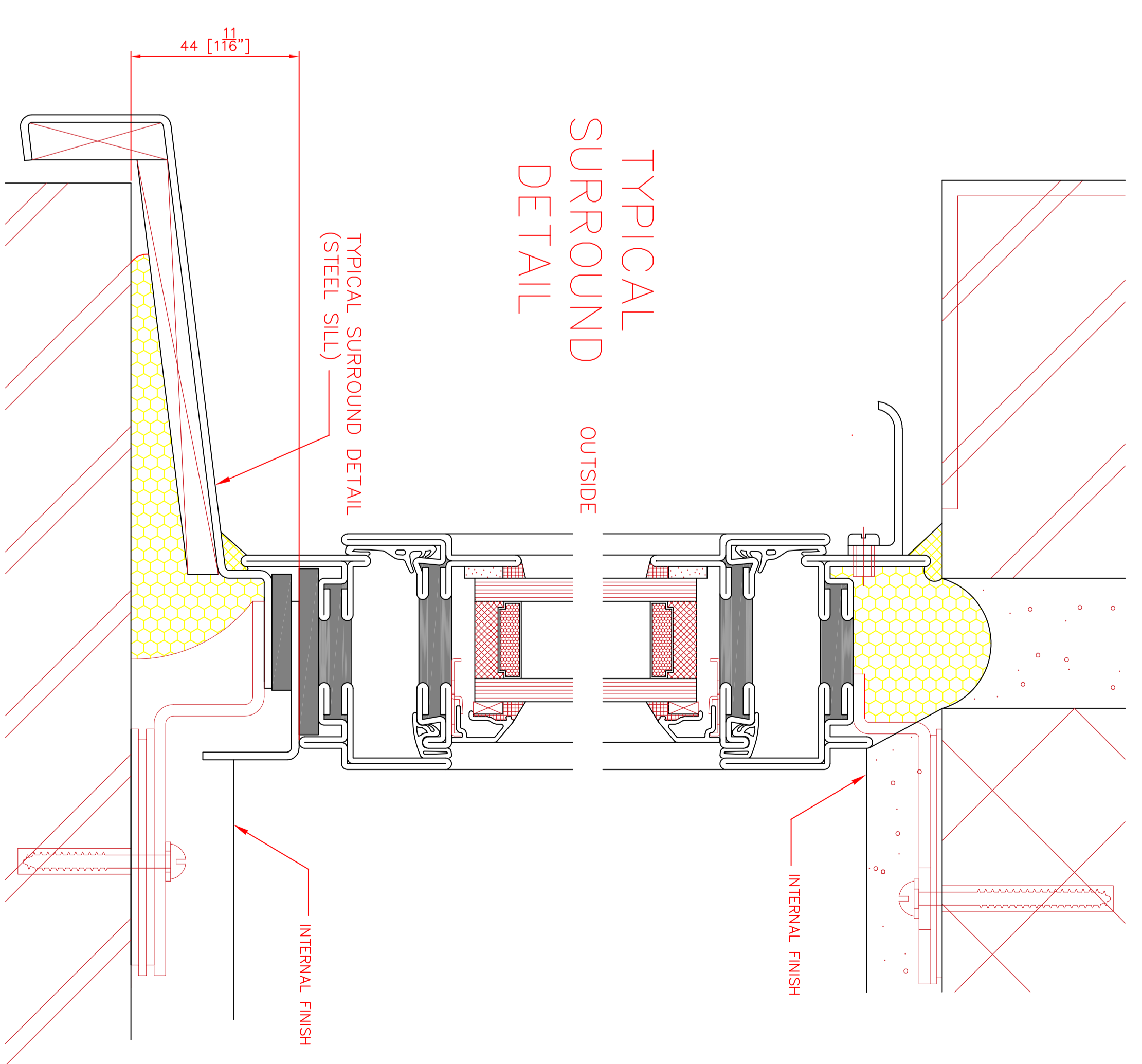


JAMB DETAILS SIMILAR TO HEAD AND SILL

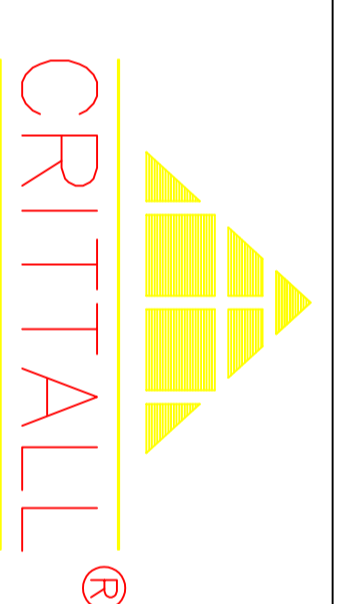
TYPICAL COUPLING DETAILS



TYPICAL SURROUND DETAIL



*NOTE: INTERIOR/EXTERIOR GLAZING, WEATHERBAR AND PROFILE OPTIONS ARE AVAILABLE. CONTACT CRITTALL FOR DETAILS



CRITTALL® IS A REGISTERED TRADE MARK OF CRITTALL WINDOWS LIMITED
CRITTALL T60 WINDOW FRAME PROFILES

REF T60 08/21