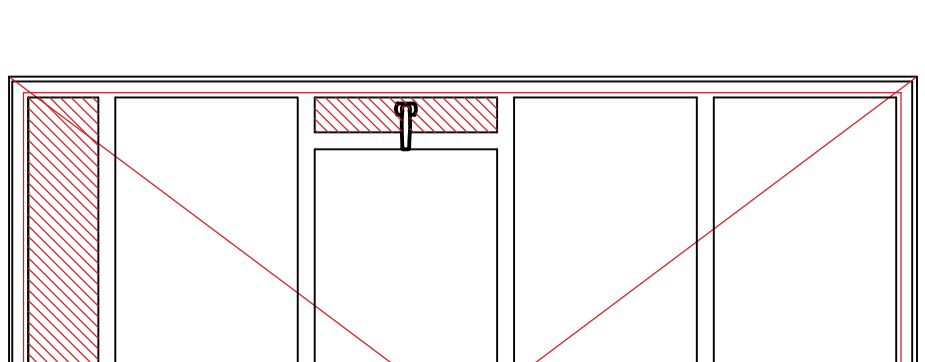
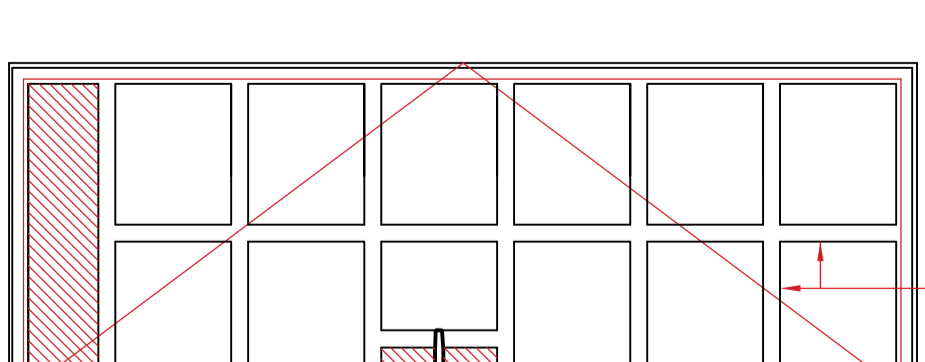
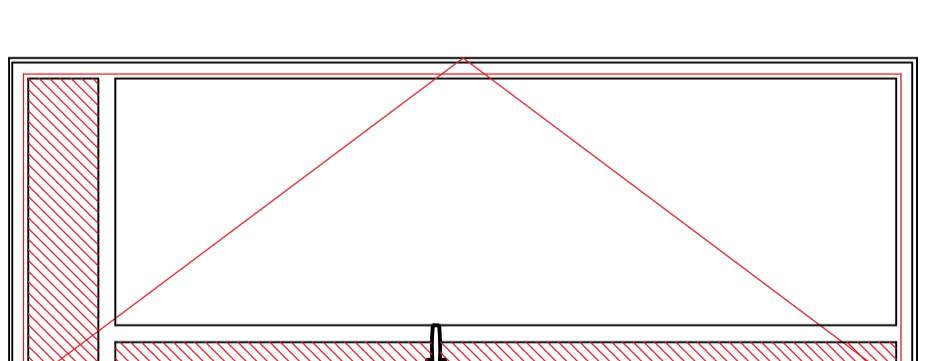
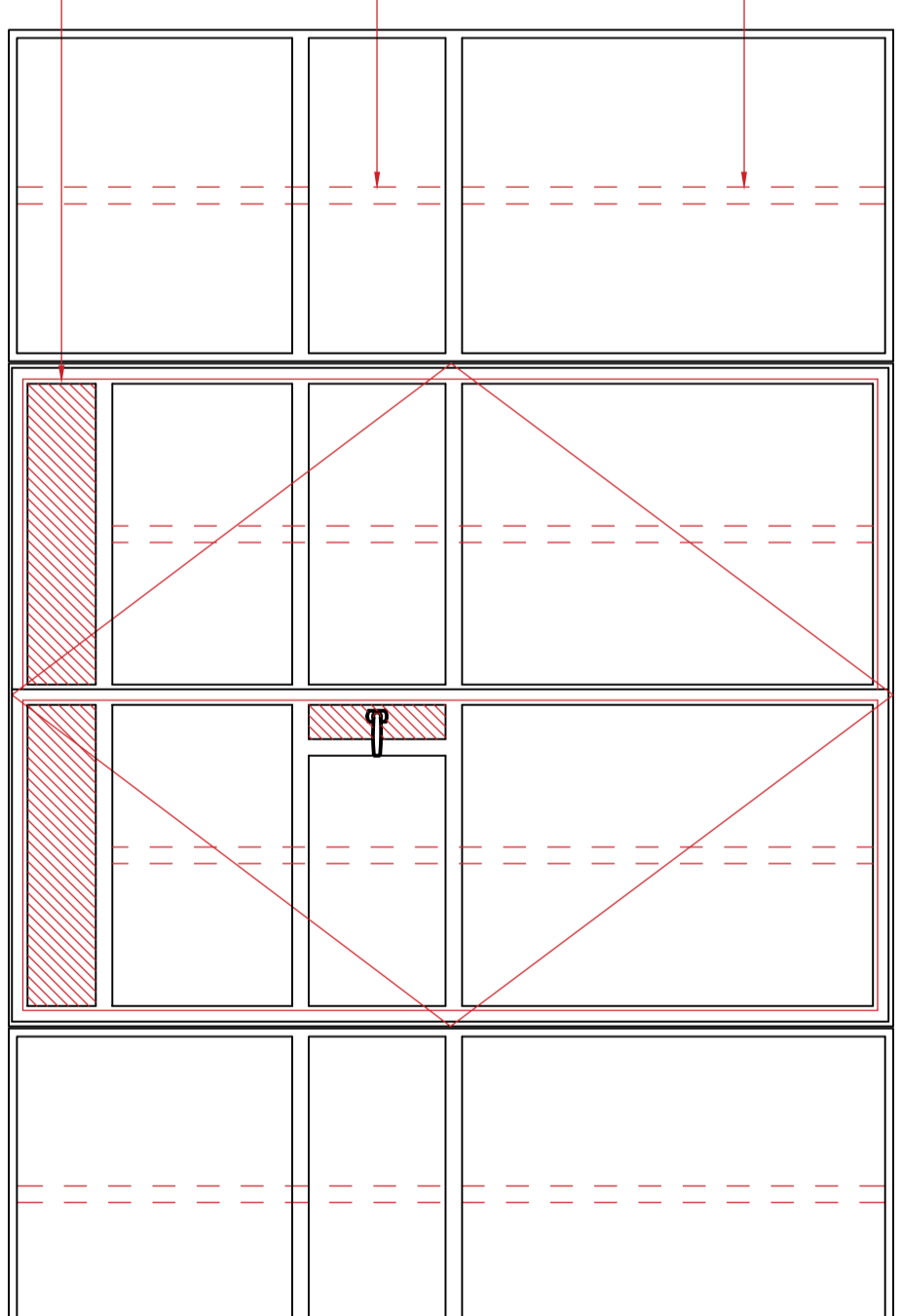
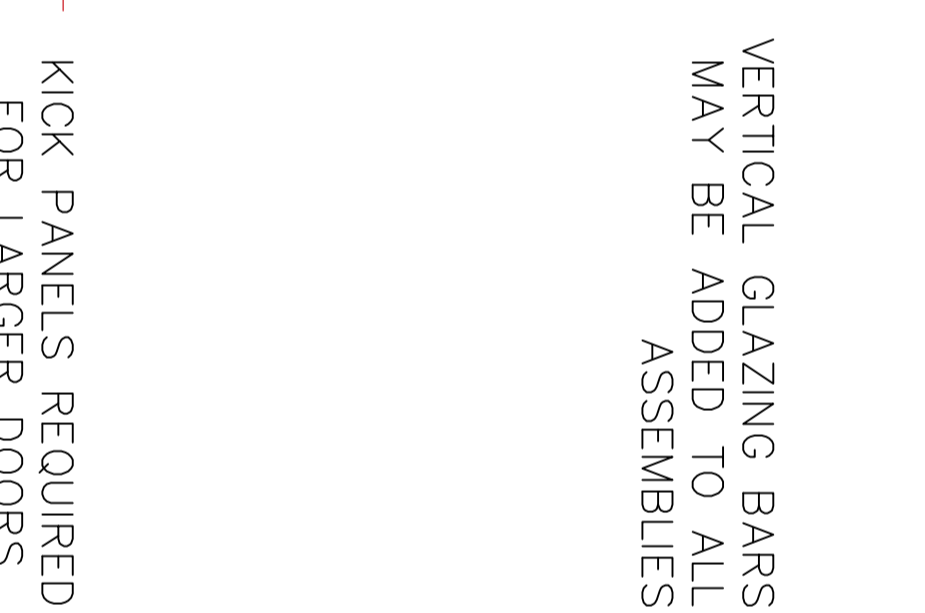
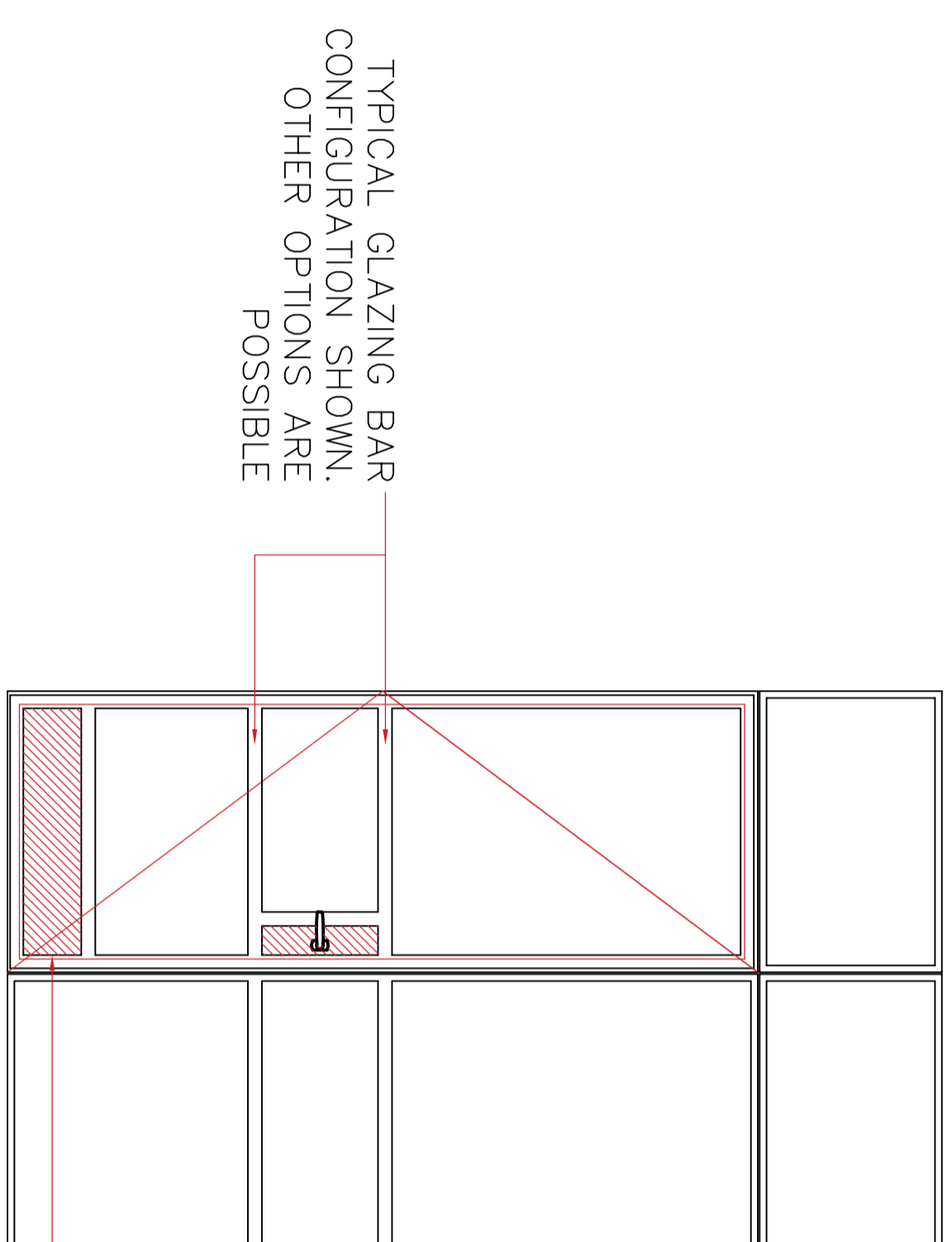
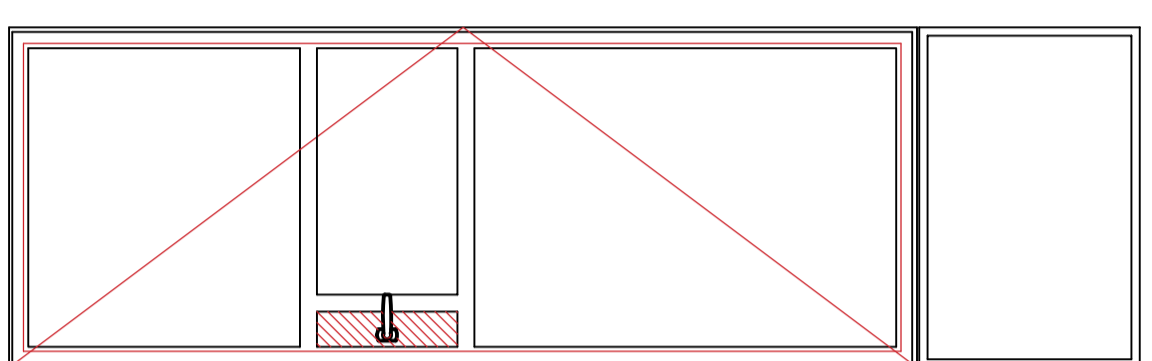
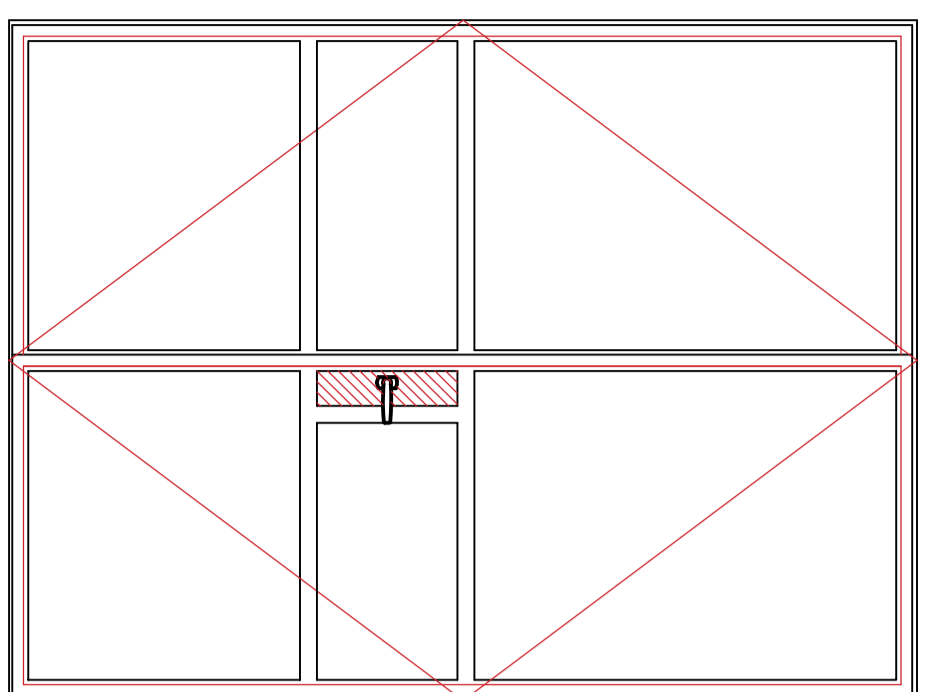
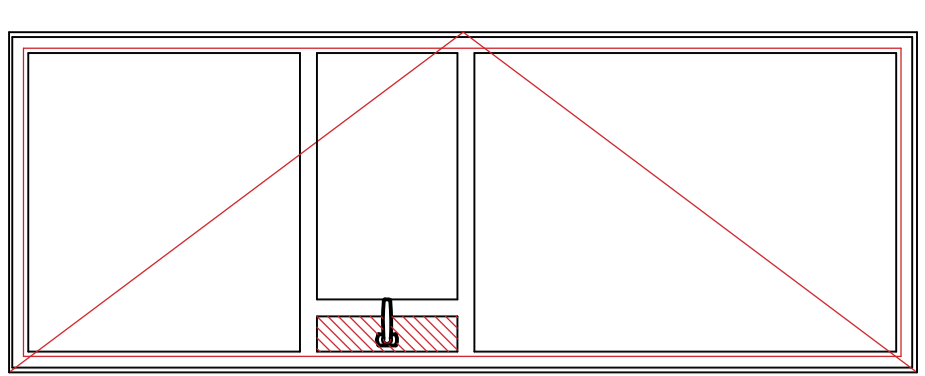


PRODUCT RANGE – SINGLE OR DOUBLE DOORS PLUS OPTIONAL FIXED SIDE LIGHTS AND/OR TOP (FAN) LIGHTS. DOORS MAY BE COUPLED TO ANY OTHER T60 WINDOW TYPES TO FORM LARGE SCREENS OR WINDOW WALLS. DOORS MAY SWING INWARDS OR OUTWARDS AND CAN BE GLAZED FROM EITHER SIDE

HORIZONTAL AND VERTICAL GLAZING BARS MAY BE ADDED TO ALL ASSEMBLIES



TYPICAL GLAZING BAR CONFIGURATION SHOWN. OTHER OPTIONS ARE POSSIBLE

VERTICAL GLAZING BARS MAY BE ADDED TO ALL ASSEMBLIES

KICK PANELS REQUIRED FOR LARGER DOORS

TYPICAL SINGLE DOOR

TYPICAL DOUBLE DOOR

TYPICAL SINGLE DOOR WITH TOP-LIGHT

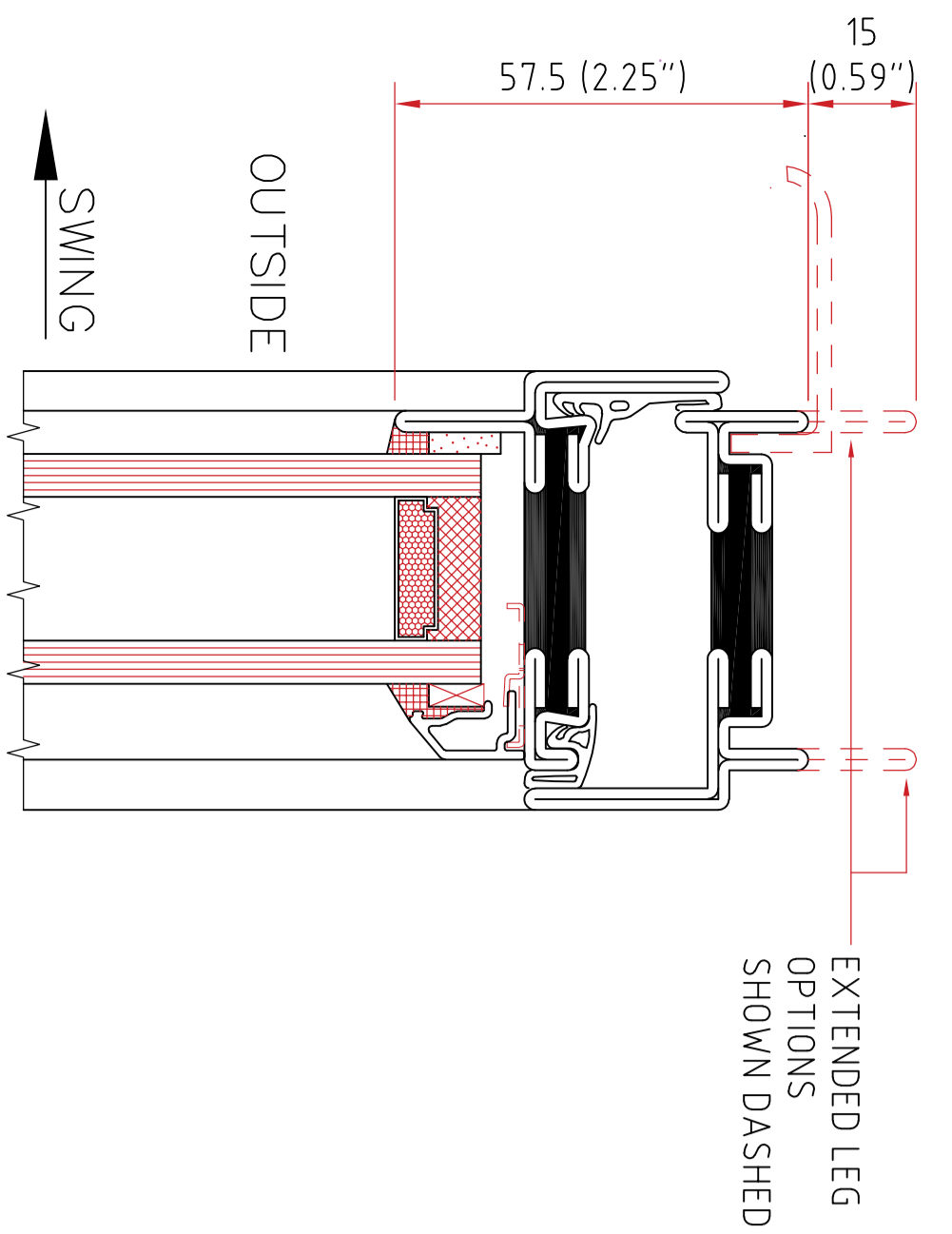
TYPICAL SINGLE DOOR WITH SIDE-LIGHT AND TOP-LIGHTS

TYPICAL DOUBLE DOOR WITH SIDE-LIGHTS ('BELGIUM DOOR')

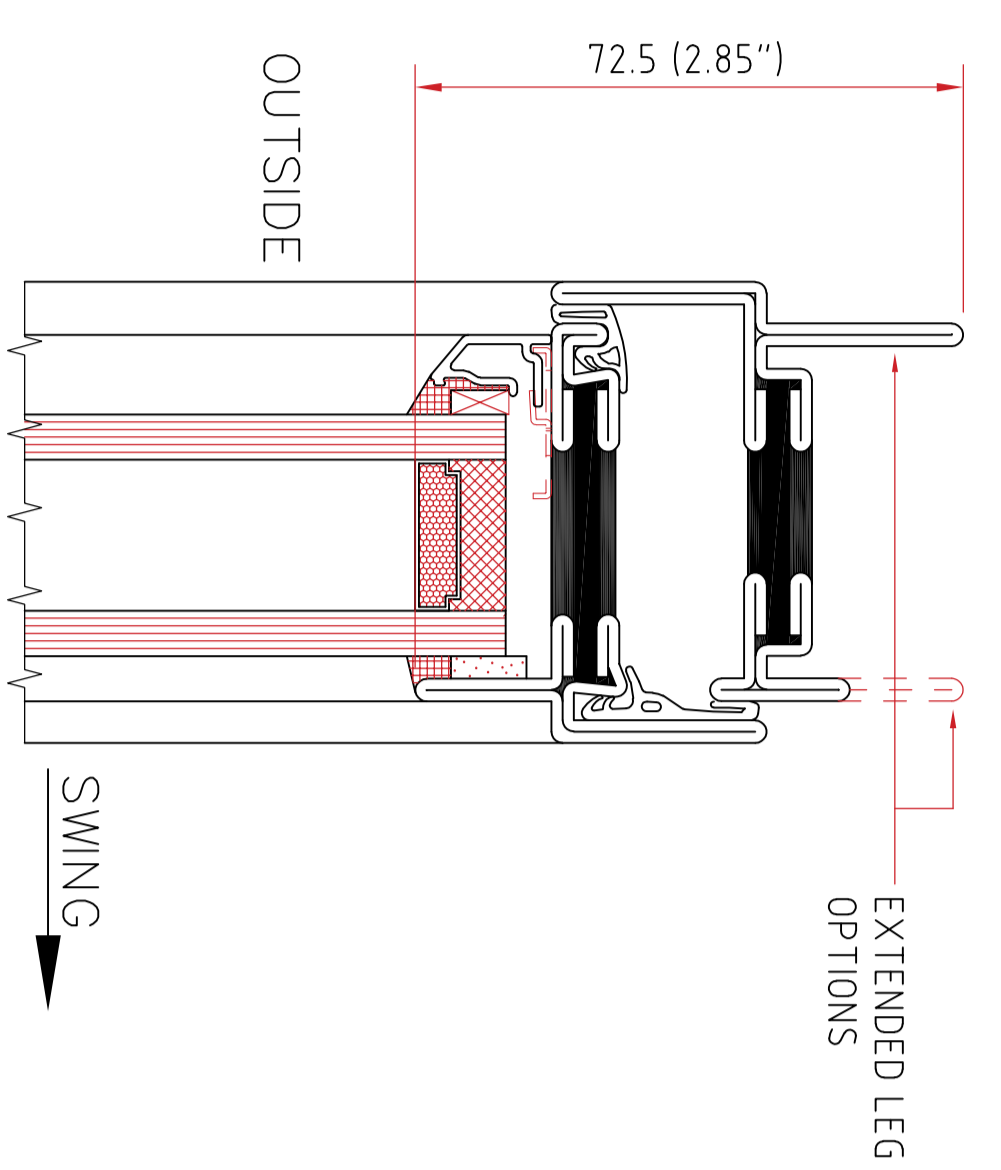
FURTHER DOOR ARRANGEMENT EXAMPLES SHOWN

FRAME PROFILES

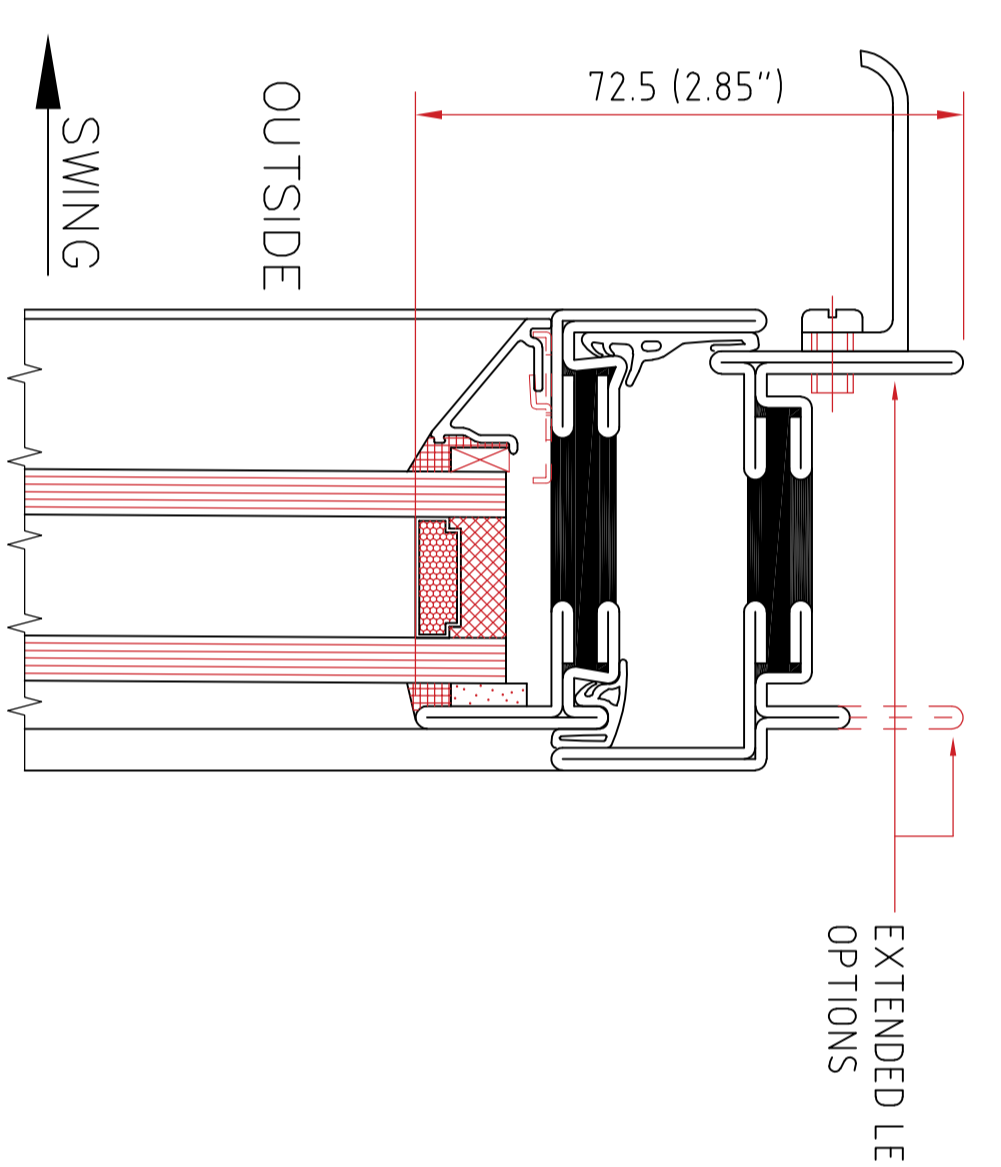
DOOR FRAME (USE AT HEAD AND/OR JAMBS) INTERIOR GLAZED OPTION SHOWN



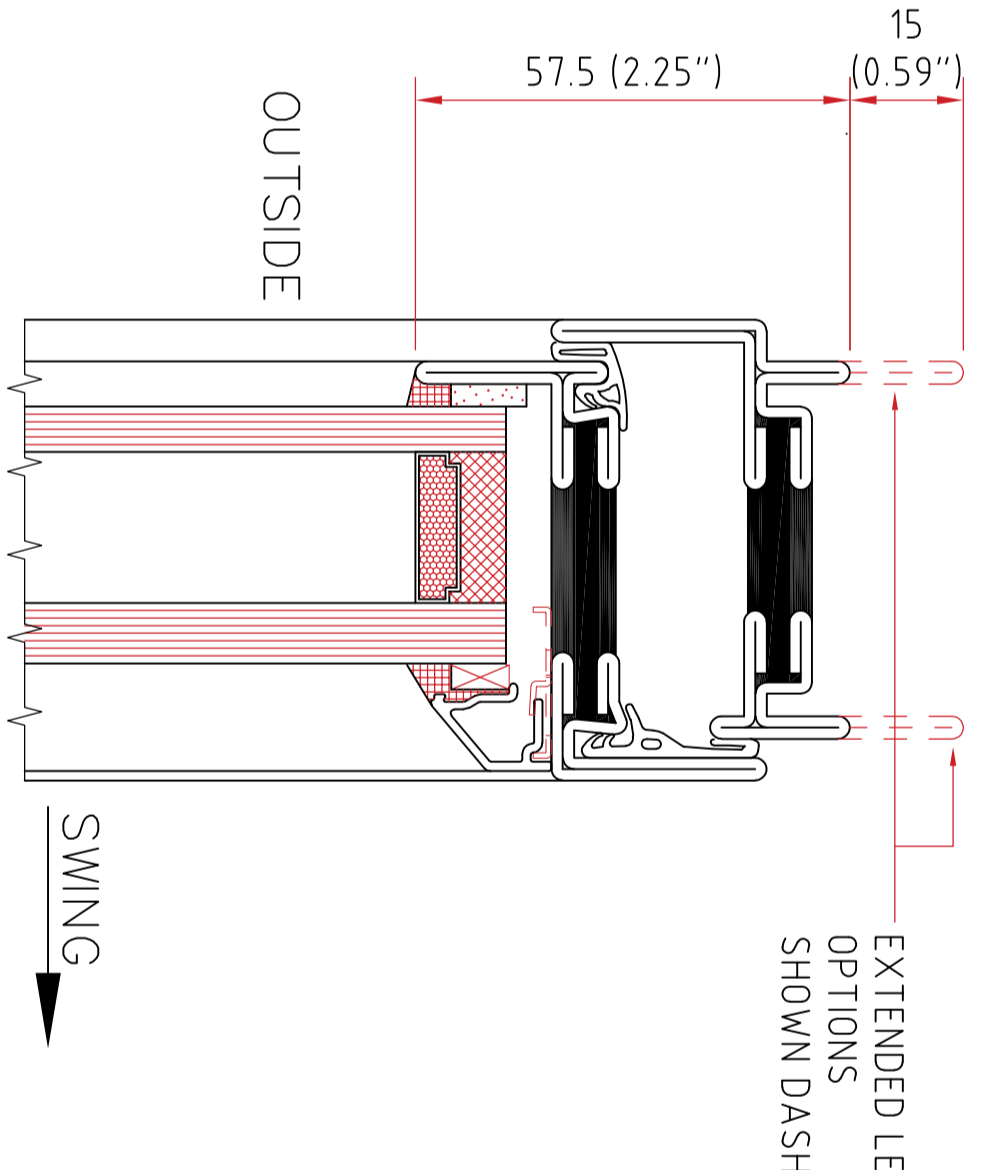
DOOR FRAME (USE AT HEAD AND/OR JAMBS) EXTERIOR GLAZED OPTION SHOWN



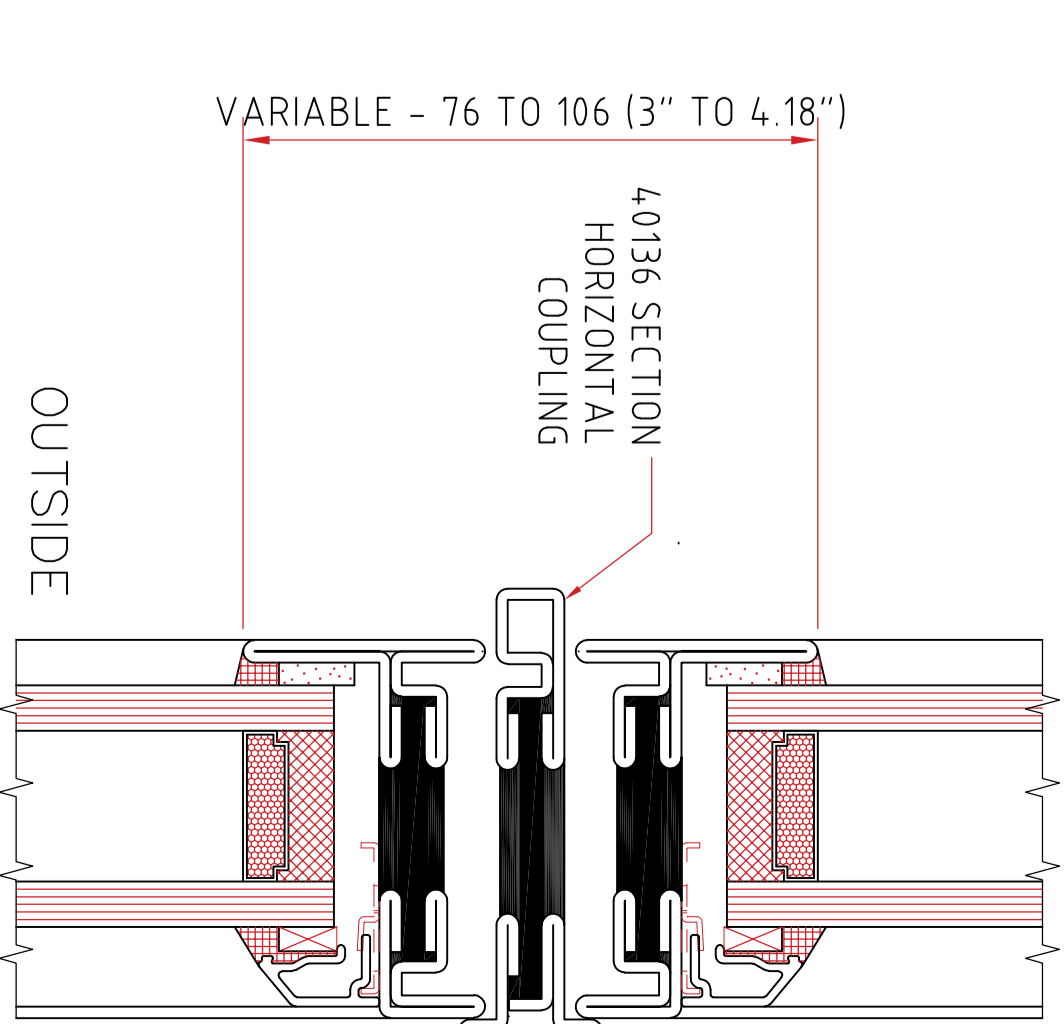
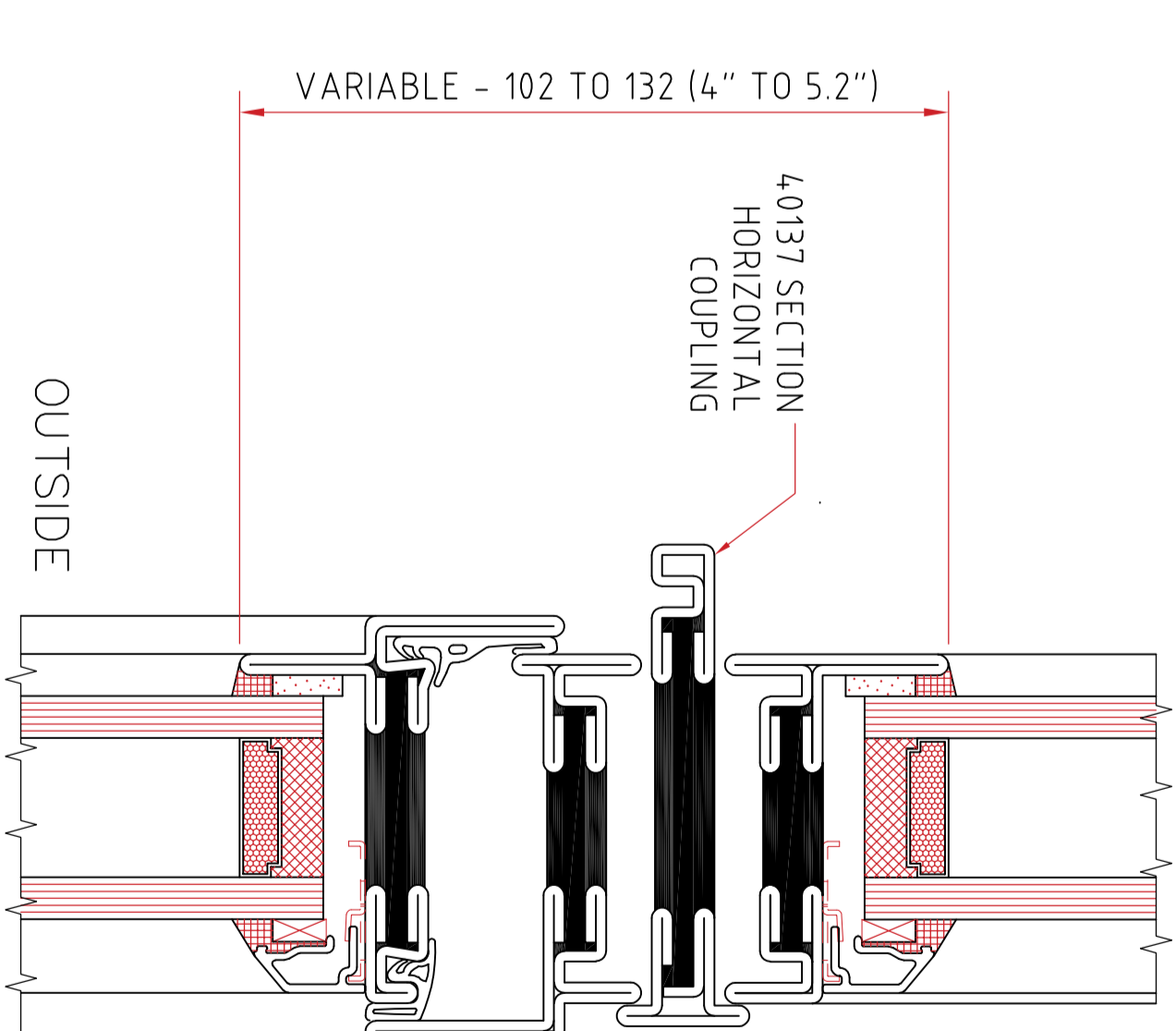
DOOR FRAME (USE AT HEAD AND/OR JAMBS) EXTERIOR GLAZED OPTION SHOWN



DOOR FRAME (USE AT HEAD AND/OR JAMBS) INTERIOR GLAZED OPTION SHOWN

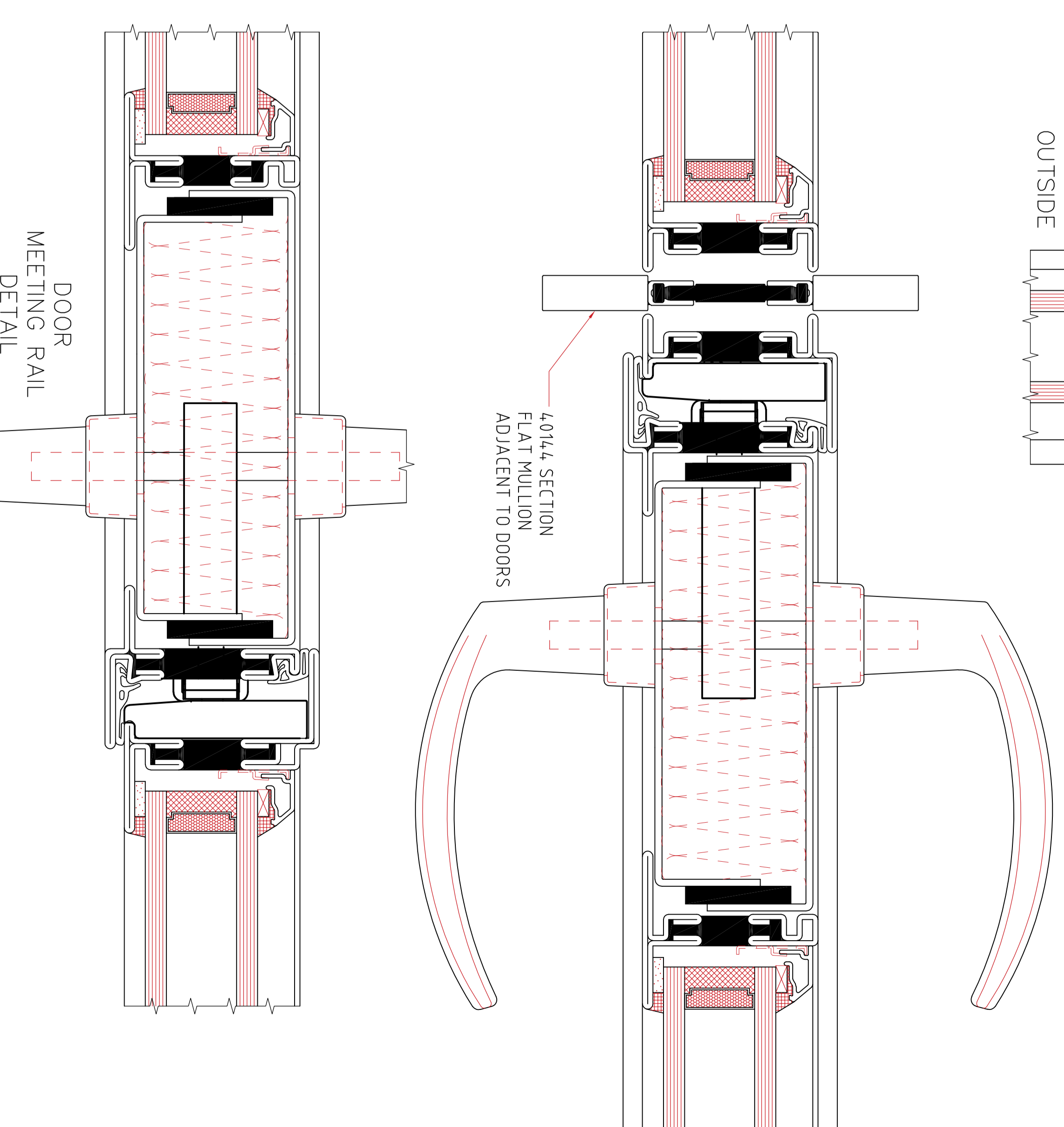
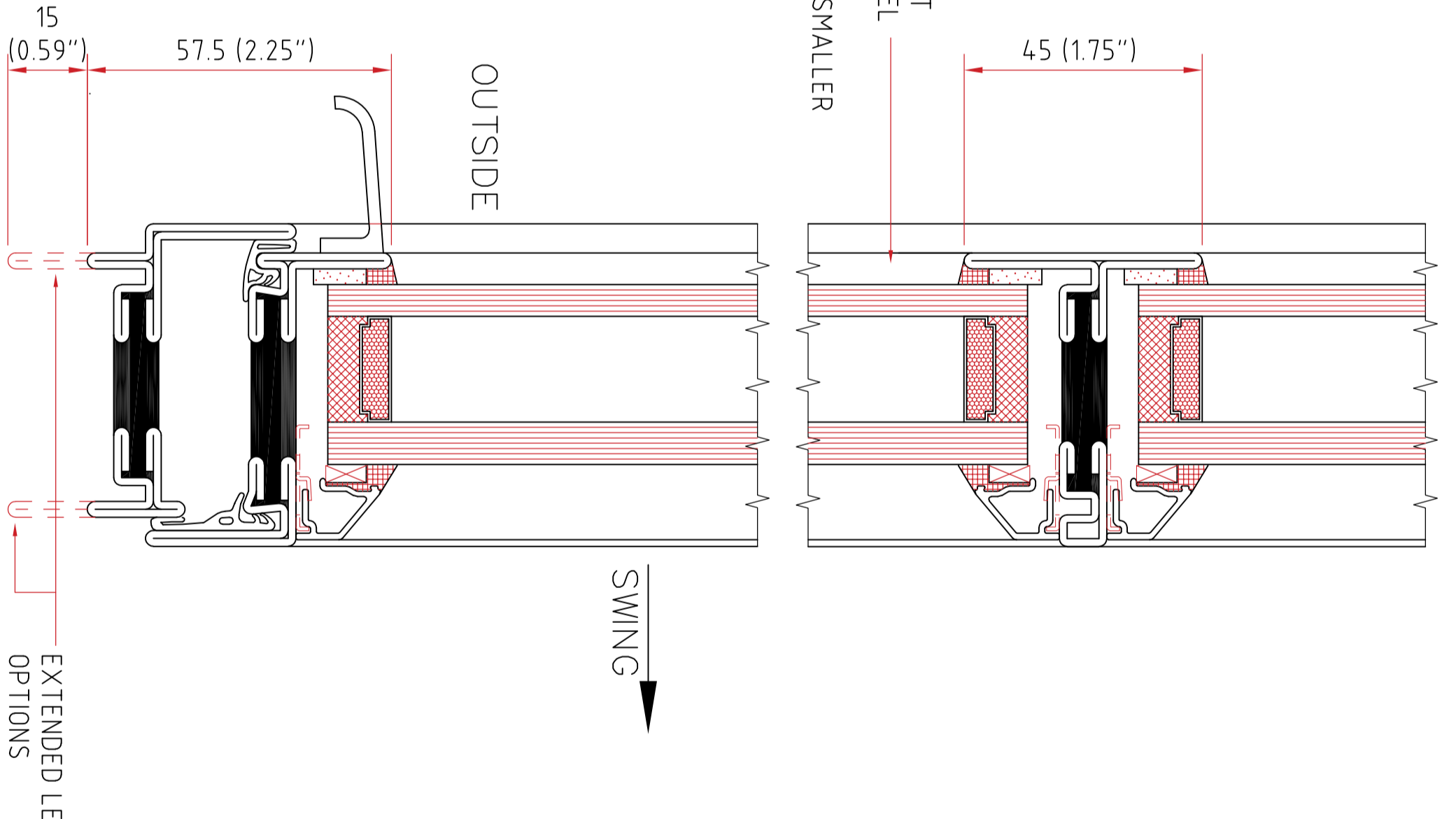
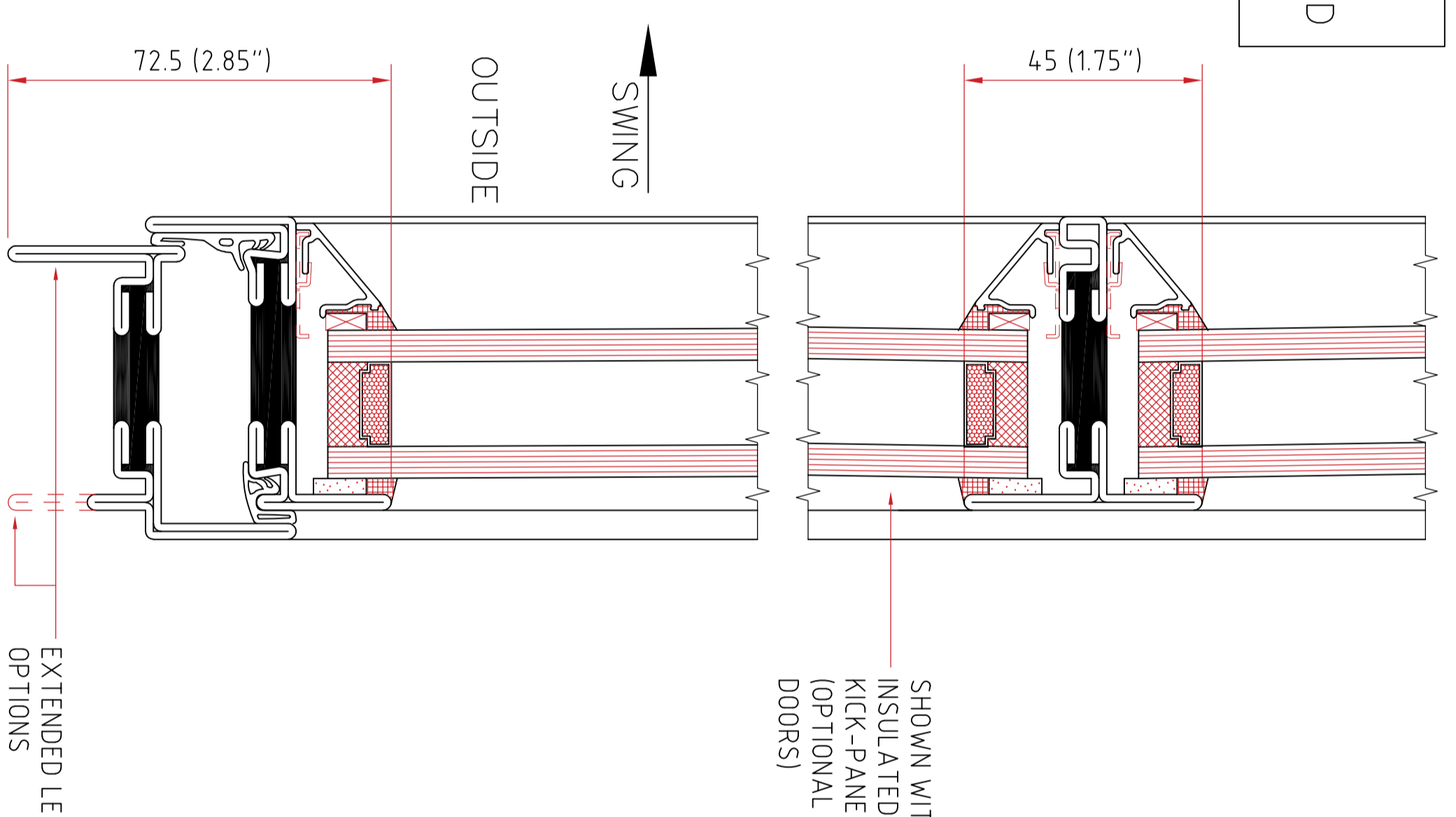
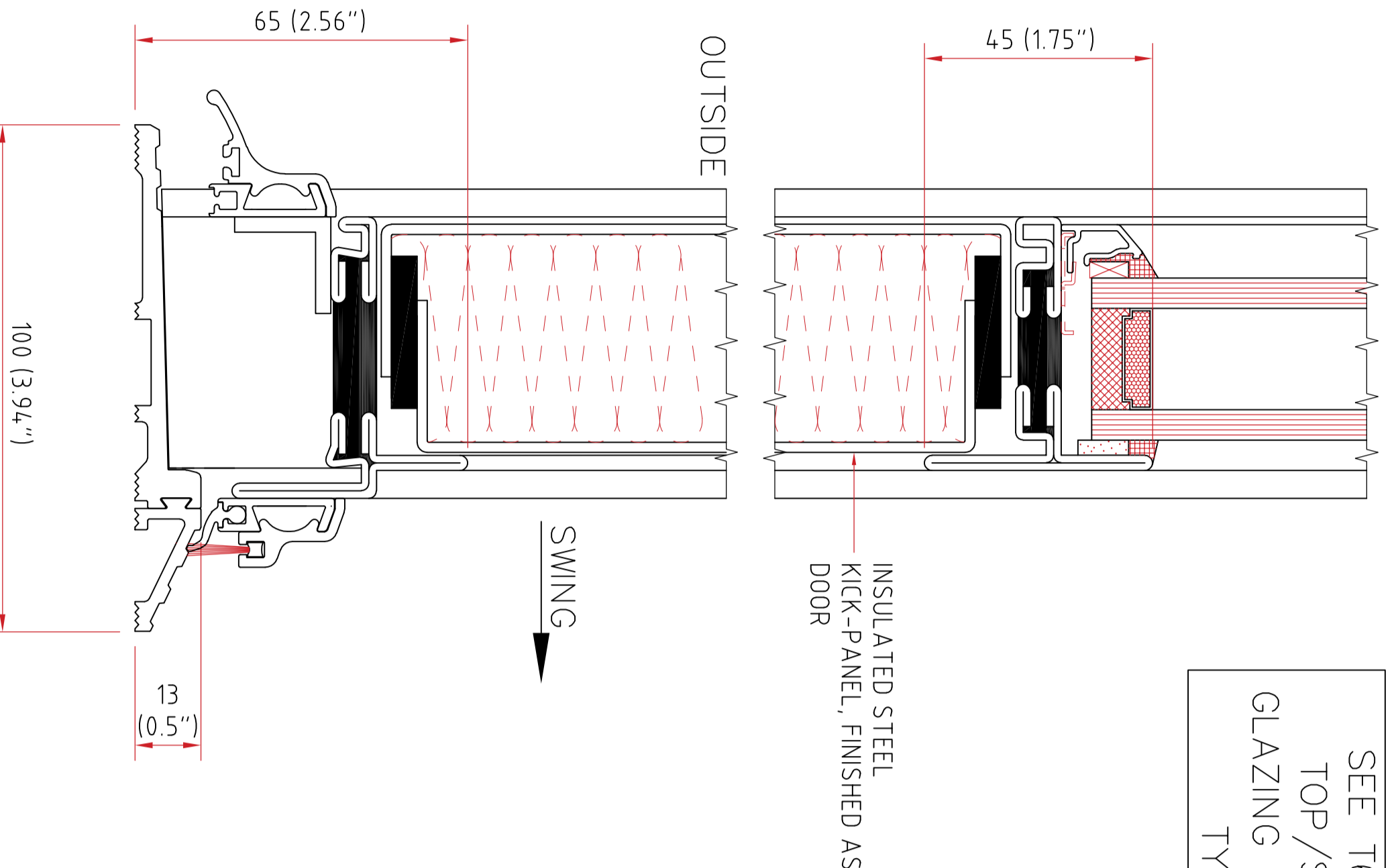
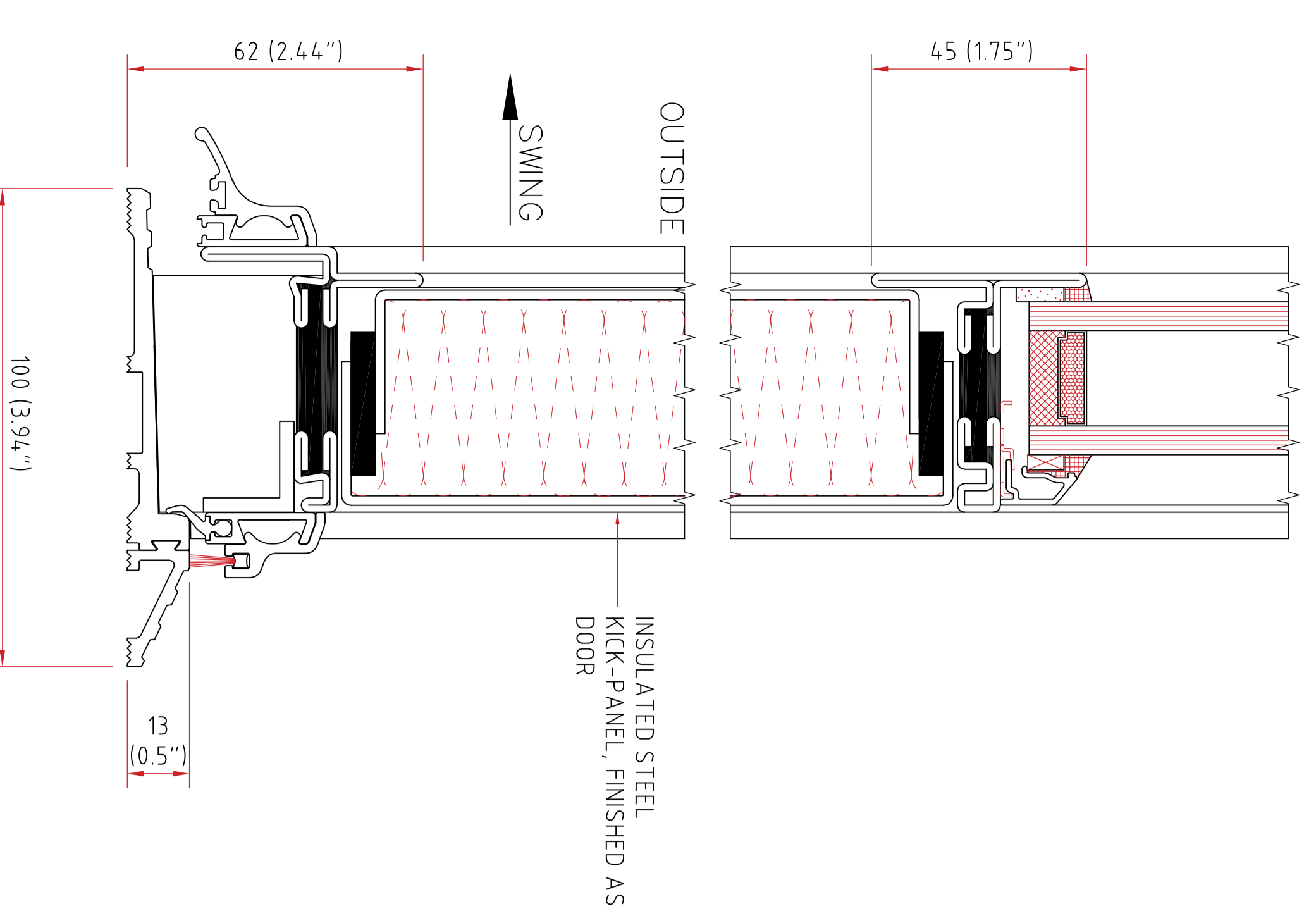


TYPICAL COUPLING DETAILS



SEE T60 WINDOW DRAWING FOR TOP/SIDELIGHT AND COSMETIC GLAZING BAR OPTIONS, GLAZING AND TYPICAL FIXING DETAILS

SHOWN WITHOUT INSULATED STEEL KICK-PANEL (OPTIONAL FOR SMALLER DOORS)



DDA/ADA COMPLIANT THRESHOLD OPEN-OUT, INTERIOR GLAZED OPTION SHOWN (OPEN-OUT, EXTERIOR GLAZED OPTION AVAILABLE)

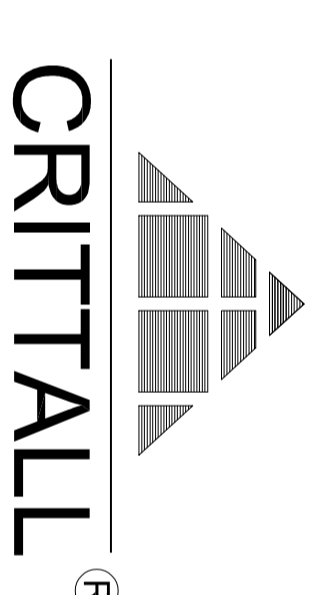
DDA/ADA COMPLIANT THRESHOLD OPEN-IN, EXTERIOR GLAZED OPTION SHOWN (OPEN-IN, INTERIOR GLAZED OPTION AVAILABLE)

STANDARD DOOR SILL OPEN-OUT, EXTERIOR GLAZED OPTION SHOWN (OPEN-OUT, INTERIOR GLAZED OPTION AVAILABLE)

STANDARD DOOR SILL OPEN-IN, INTERIOR GLAZED OPTION SHOWN (OPEN-IN, EXTERIOR GLAZED OPTION AVAILABLE)

T60 DOORS

GENERAL ARRANGEMENT



CRITTALL® IS A REGISTERED TRADE MARK OF CRITTALL WINDOWS LIMITED