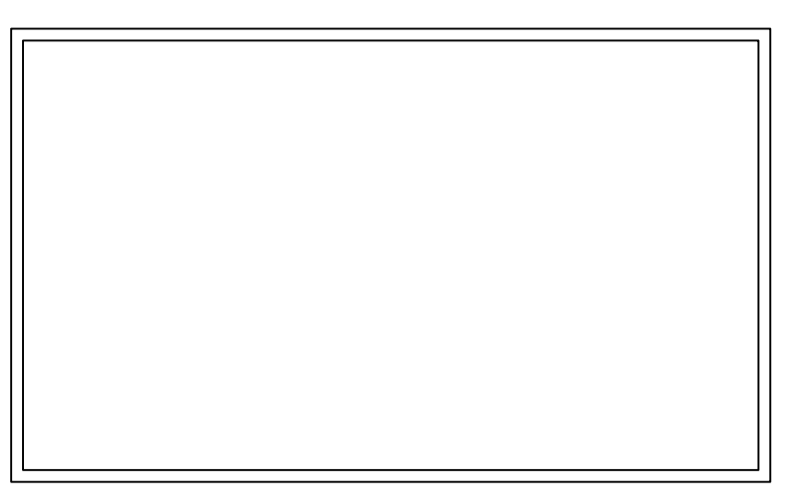
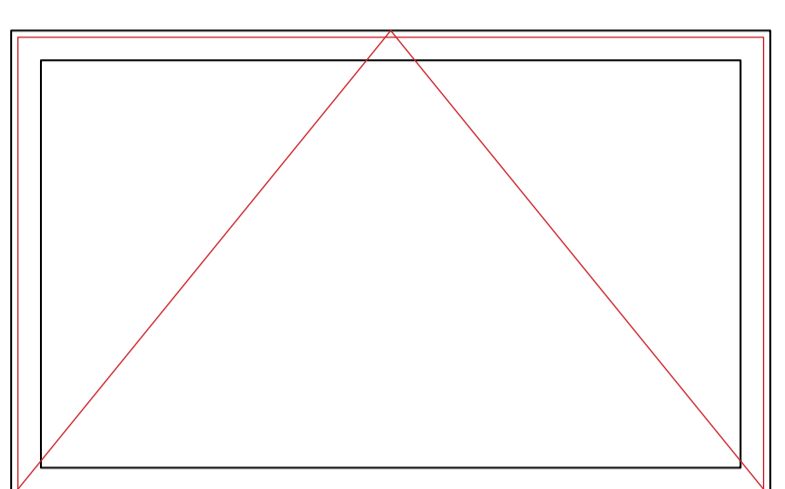


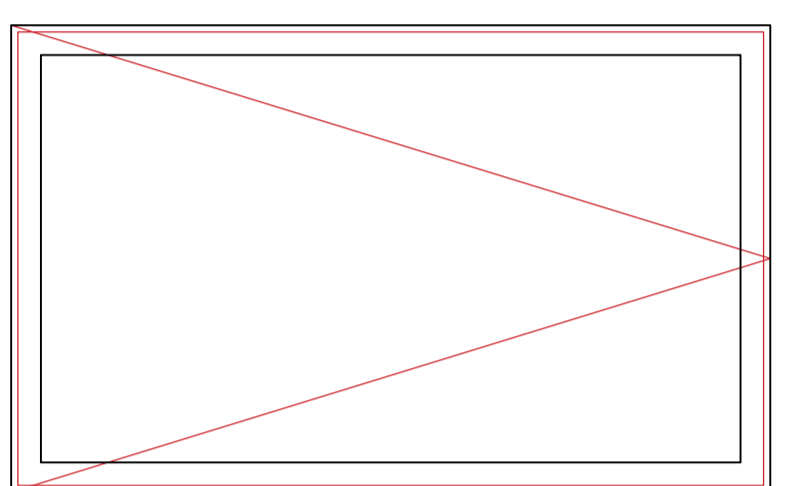
PRODUCT RANGE



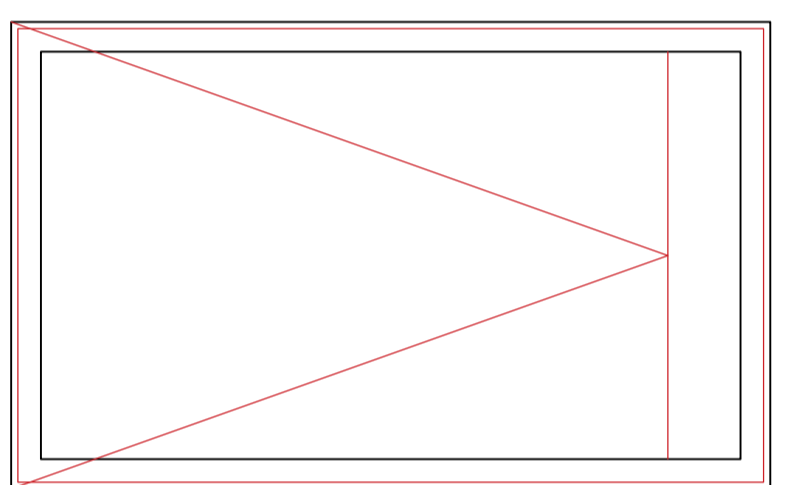
FIXED LIGHT



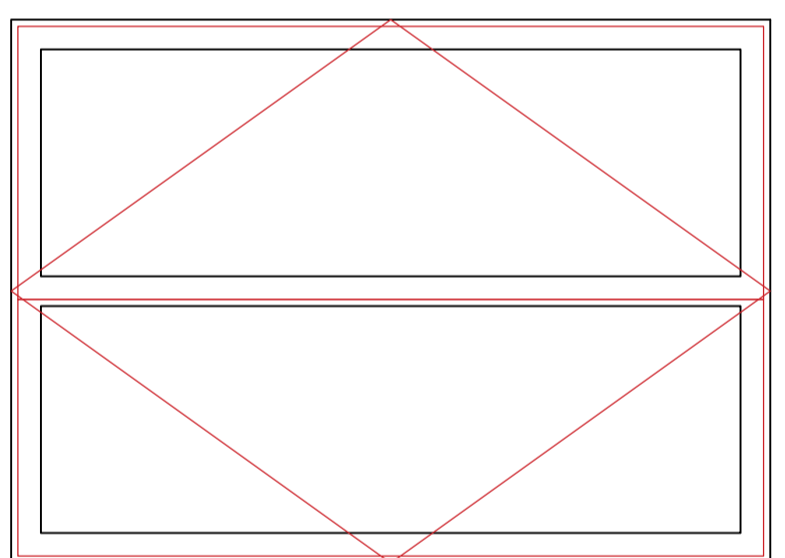
SIDE HUNG CASEMENT
OPEN OUT



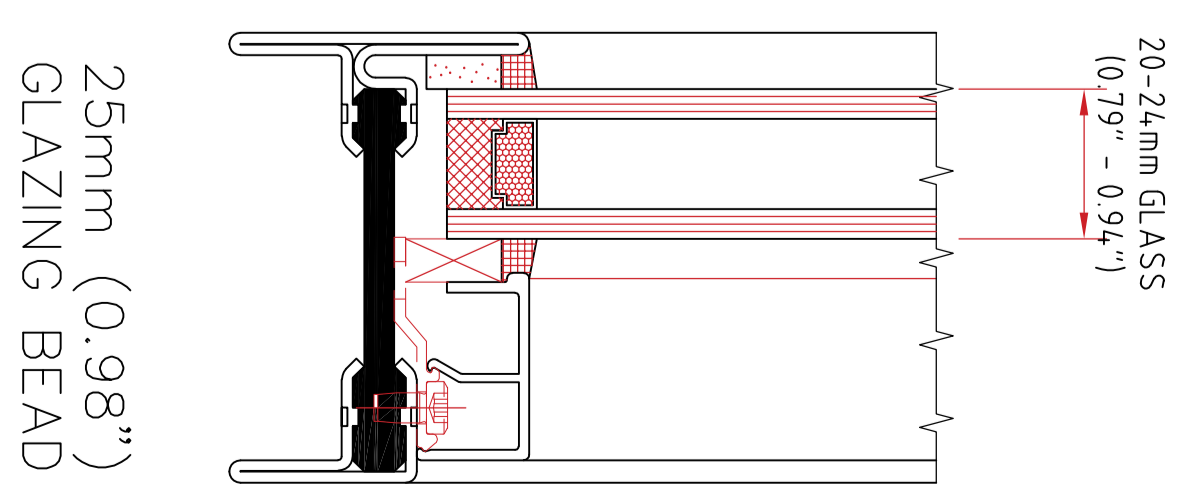
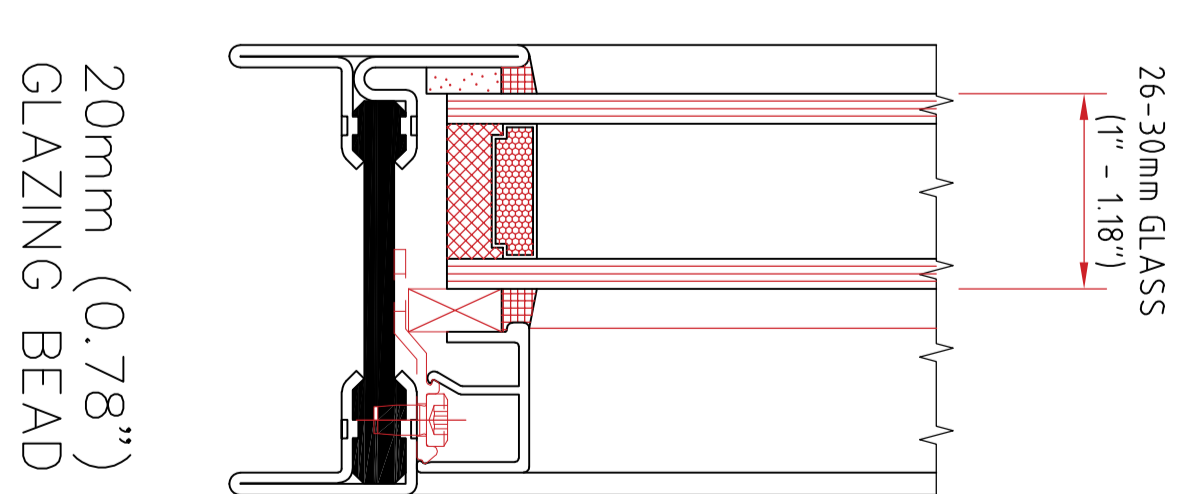
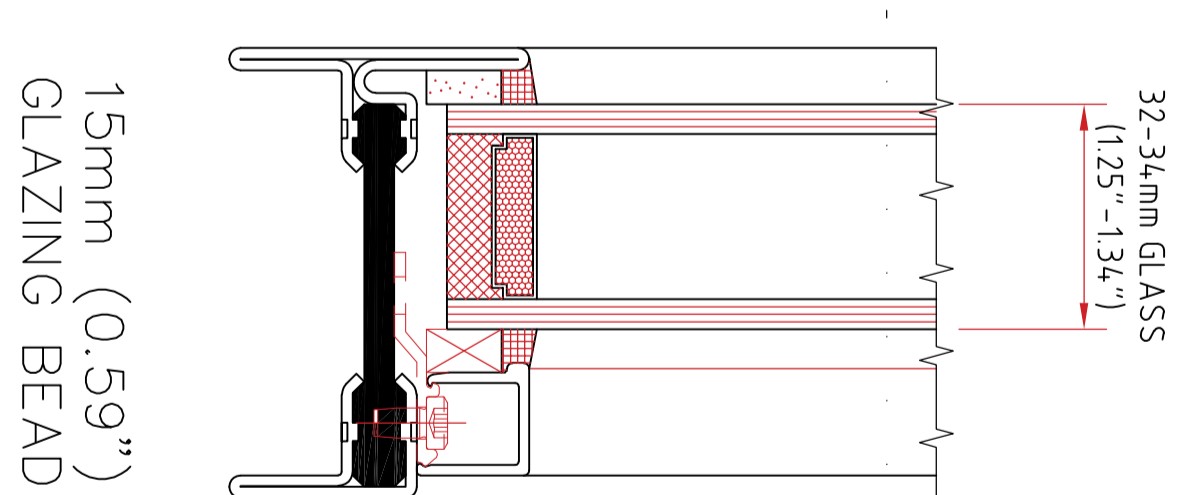
TOP HUNG VENT
OPEN OUT



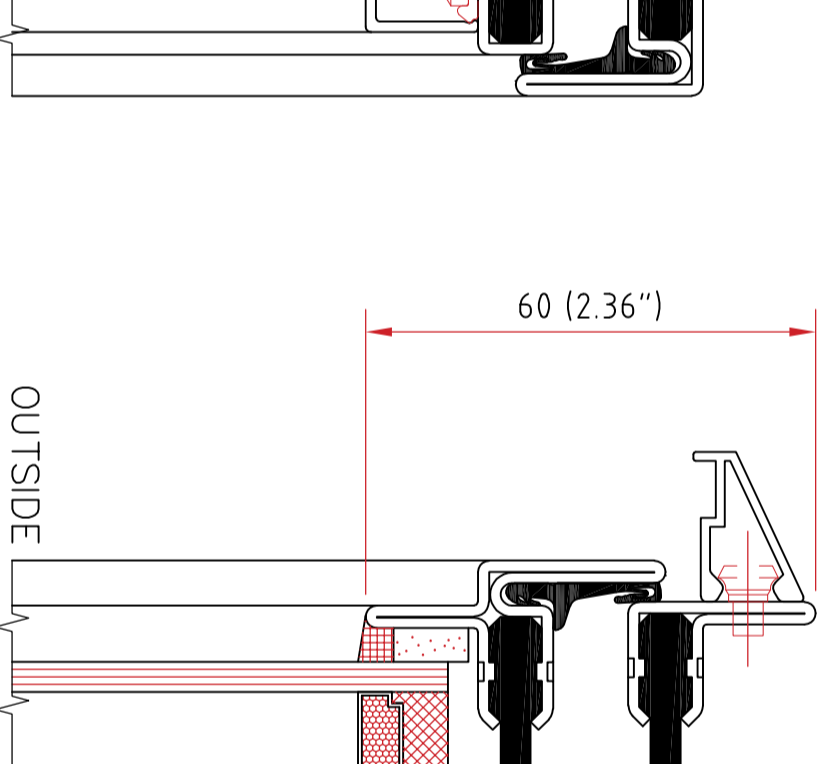
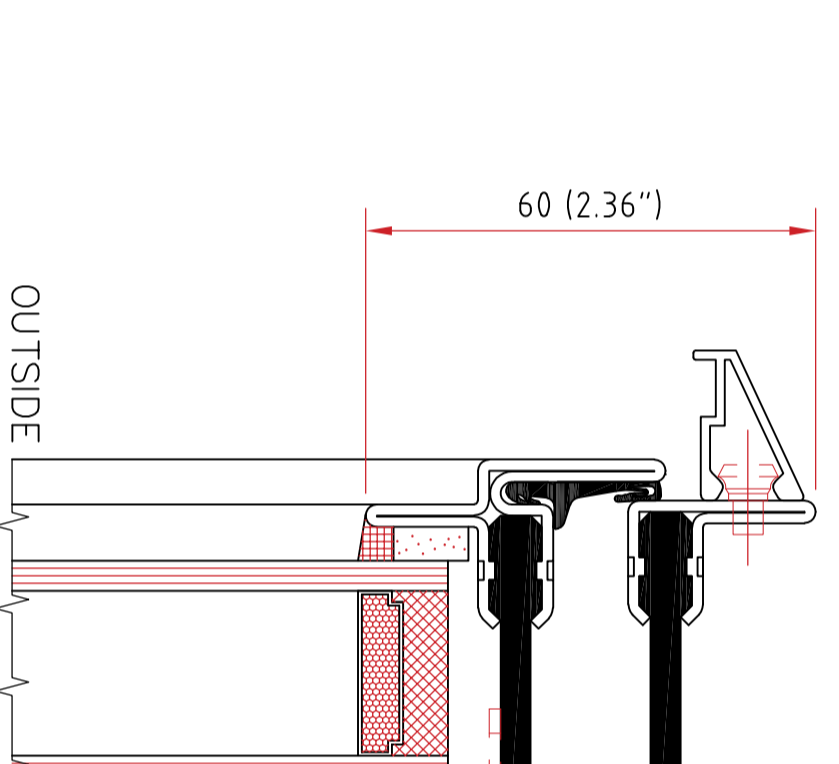
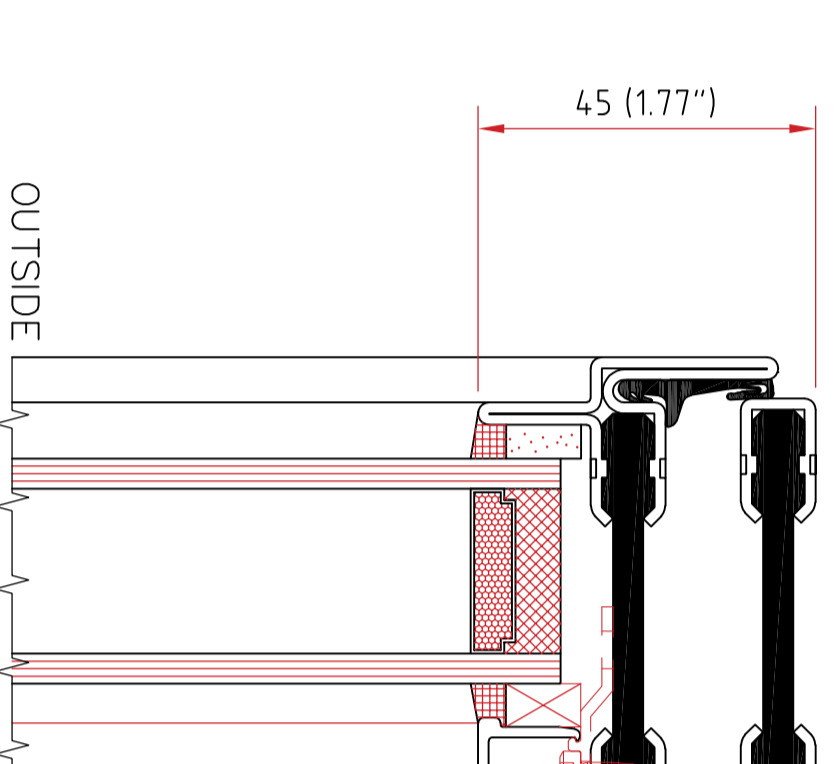
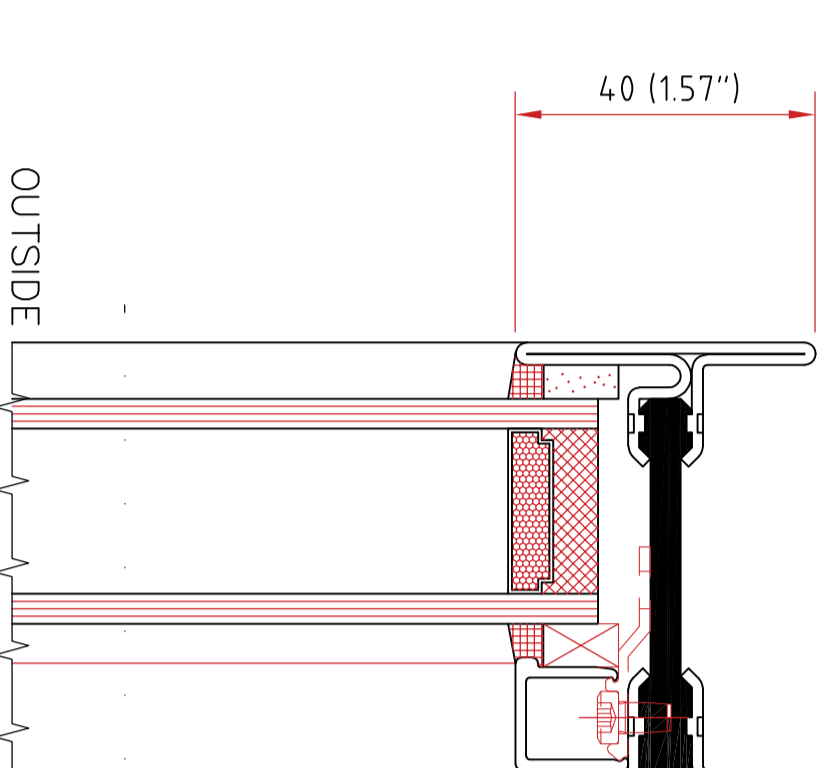
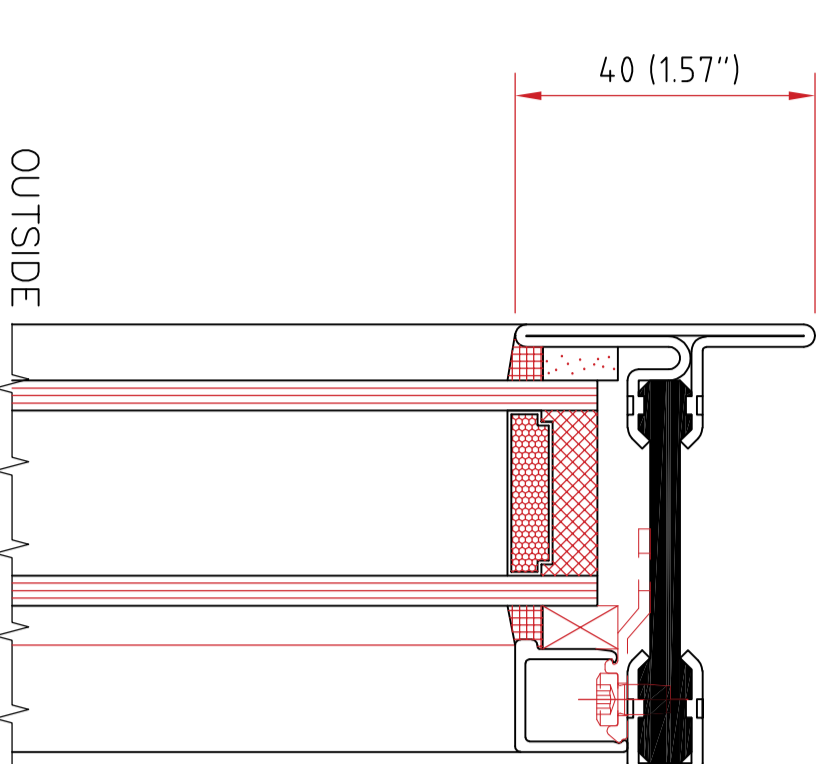
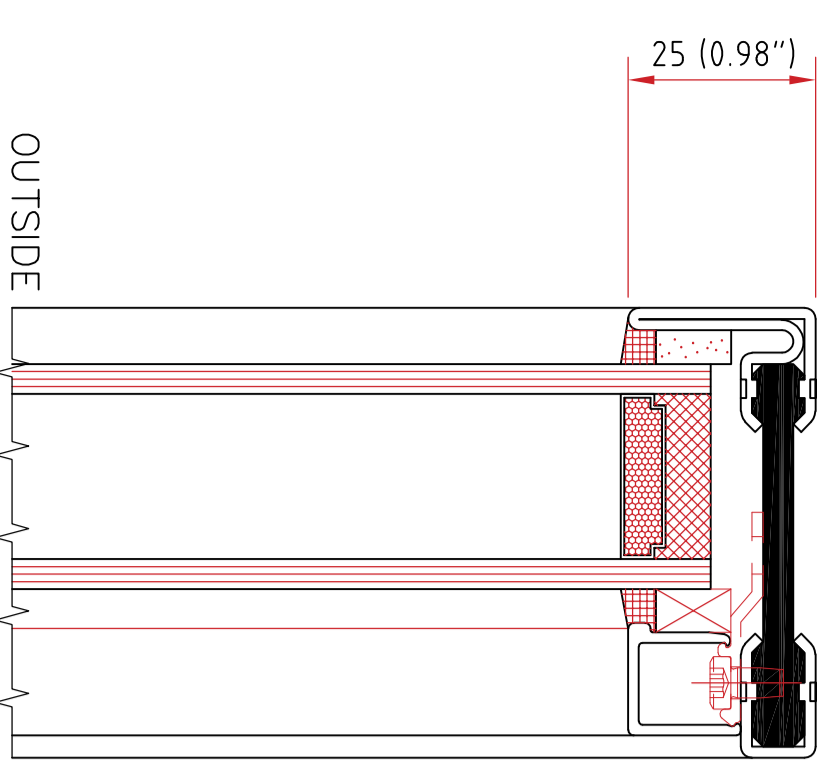
PROJECTING
TOP HUNG VENT
OPEN OUT



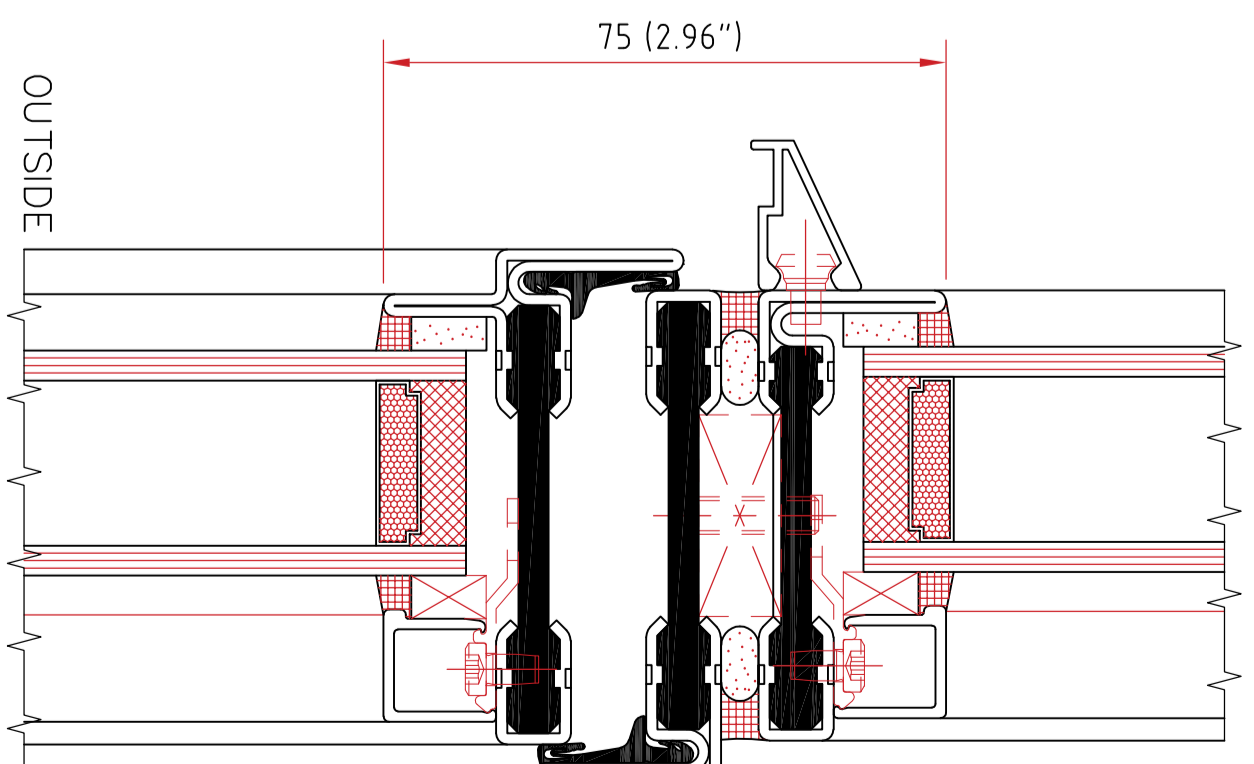
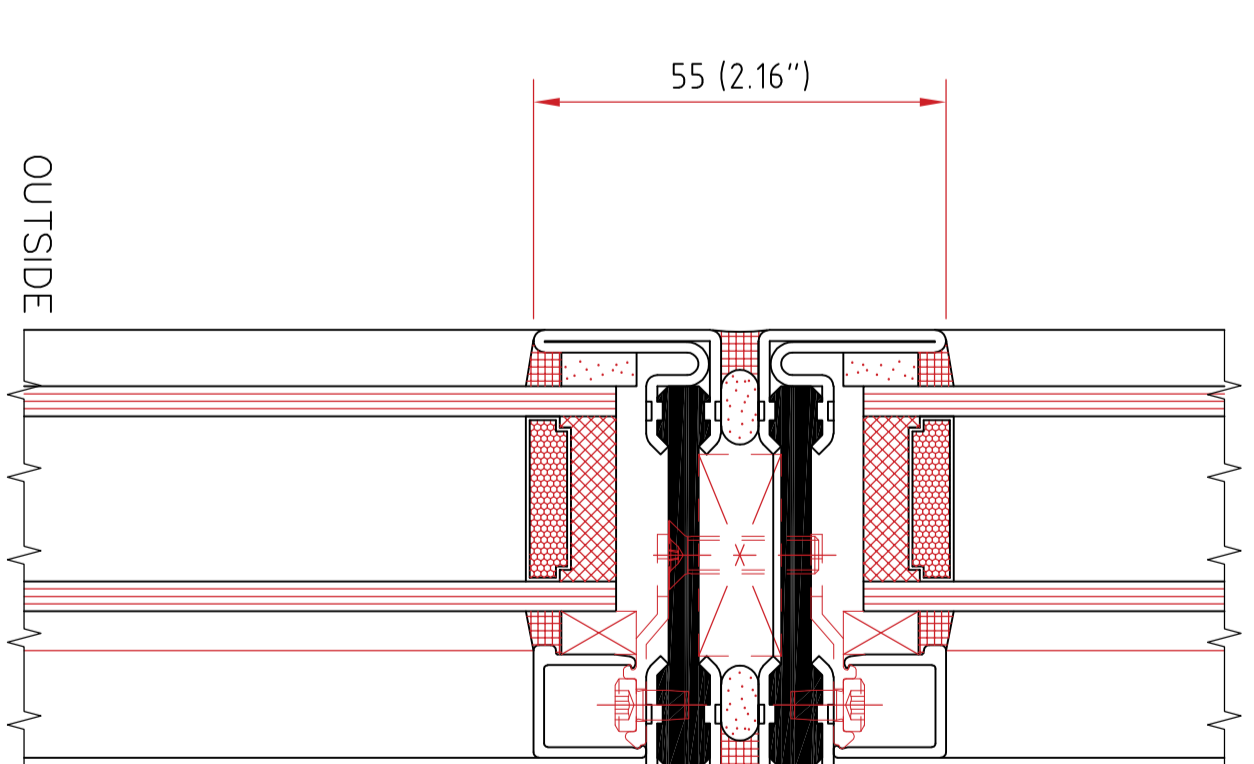
FRENCH CASEMENT
OPEN OUT



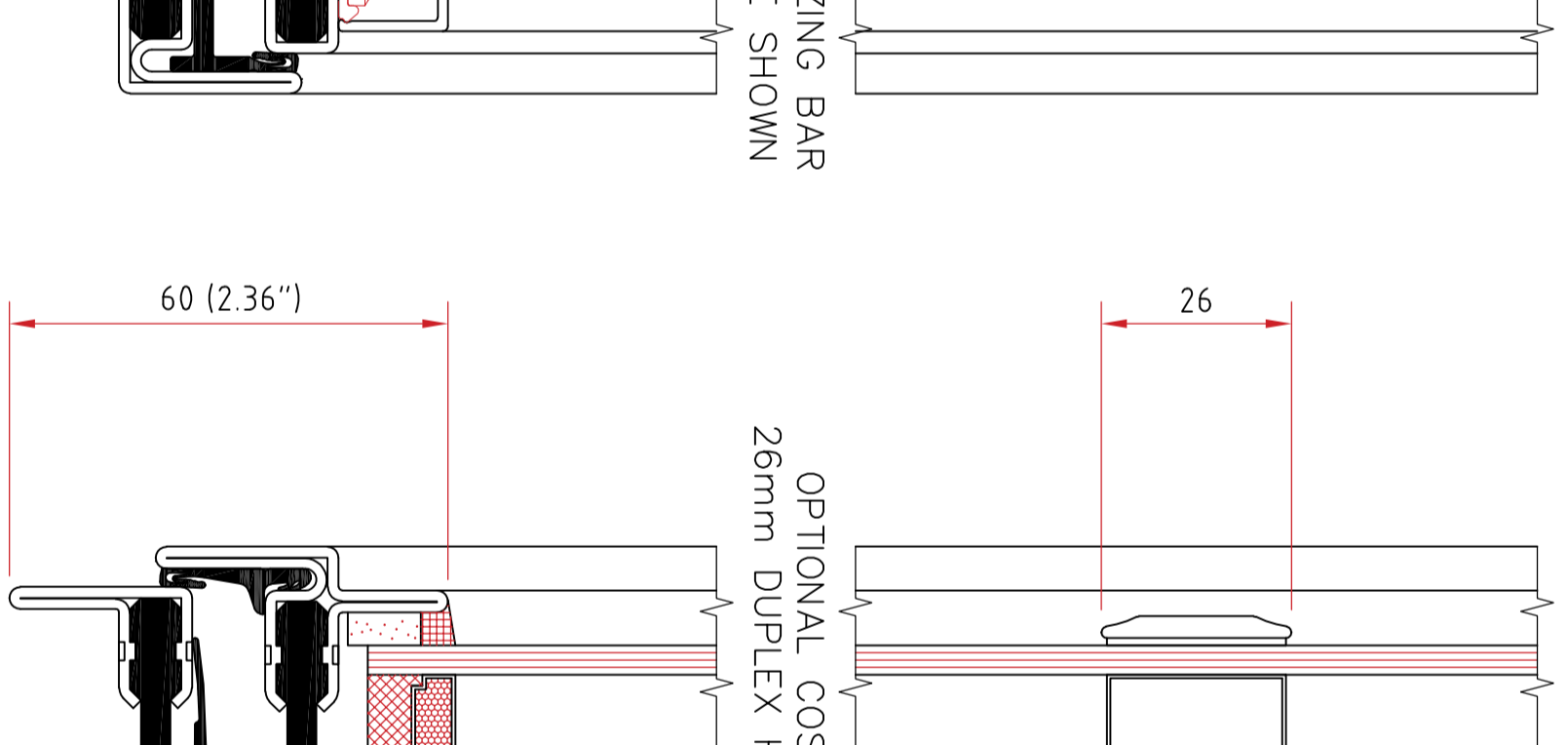
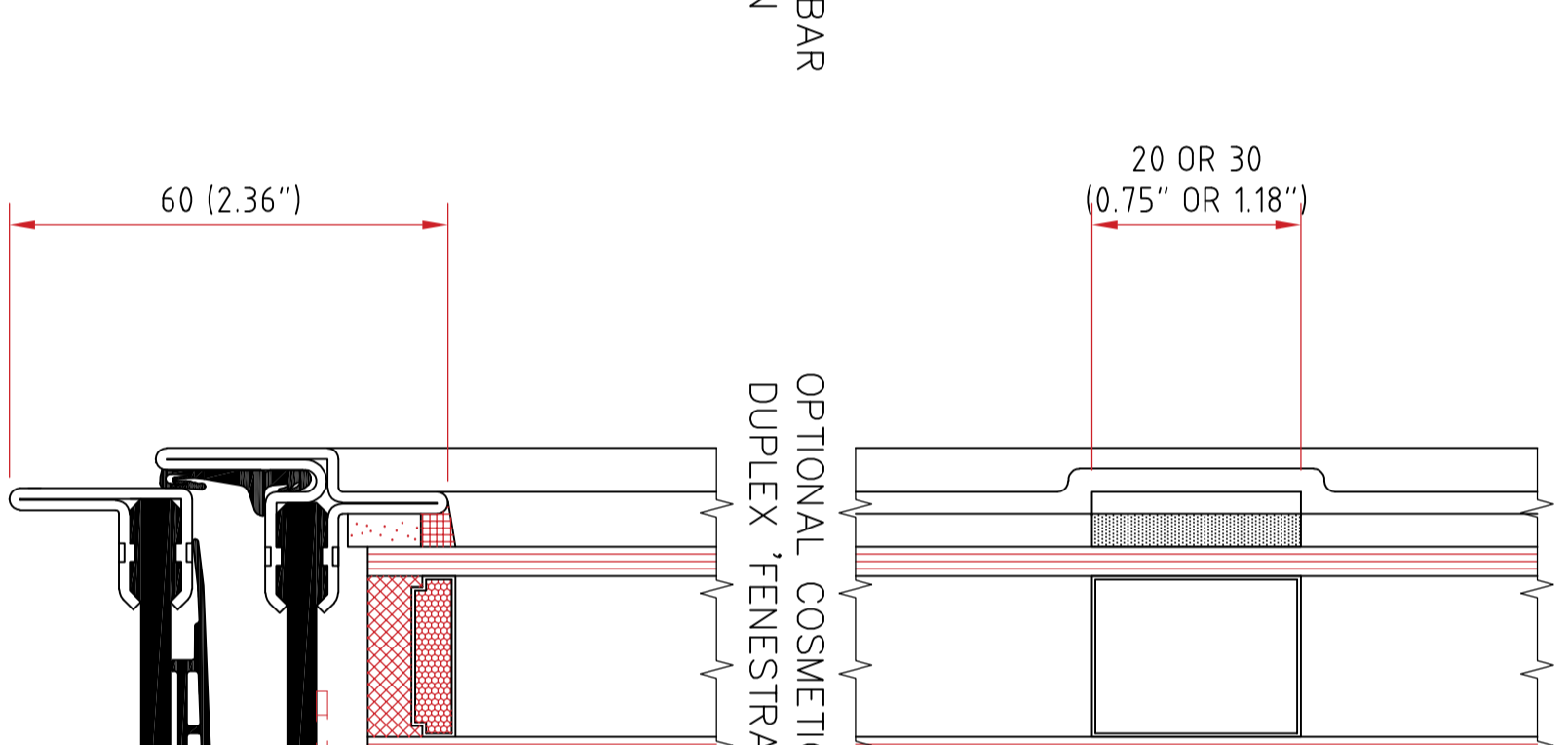
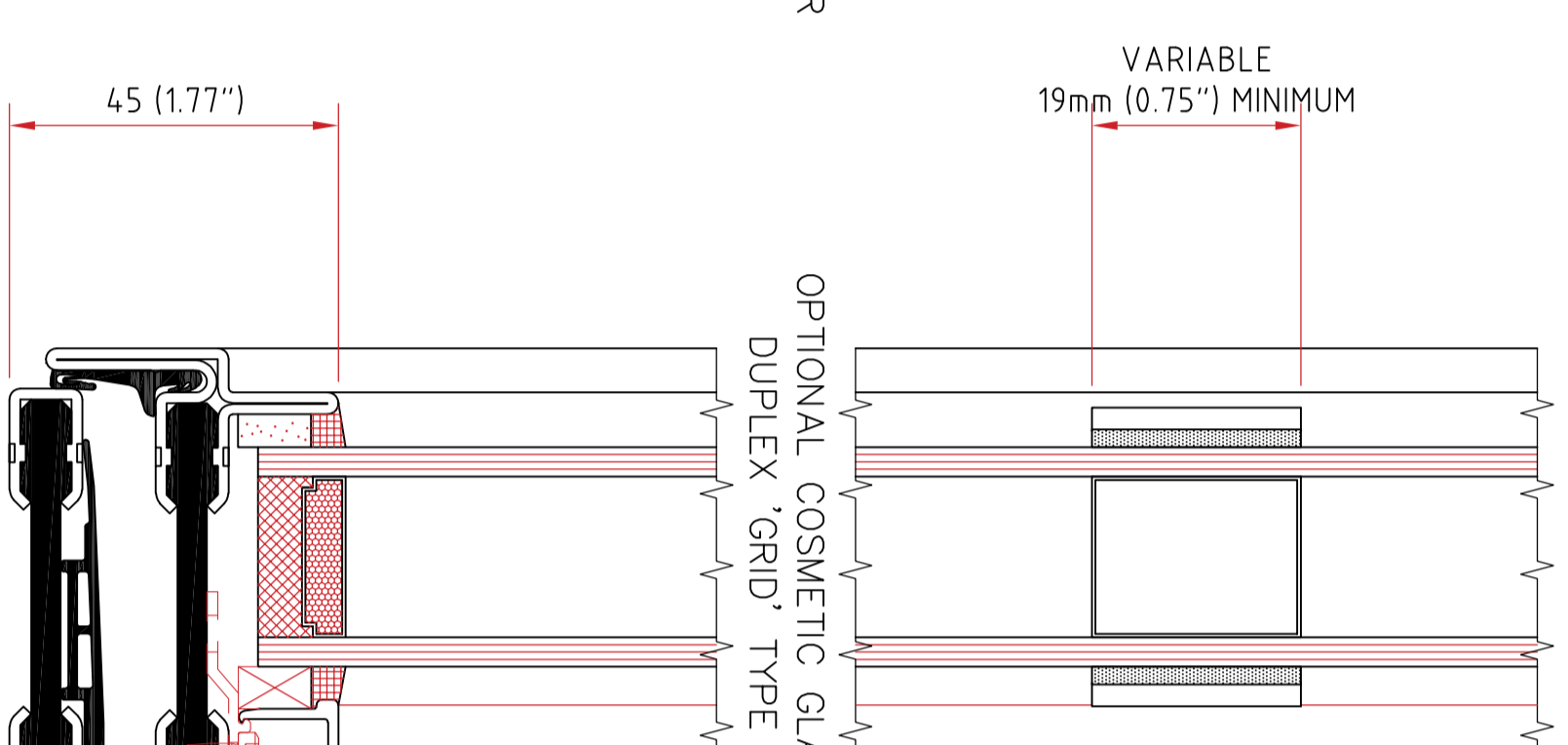
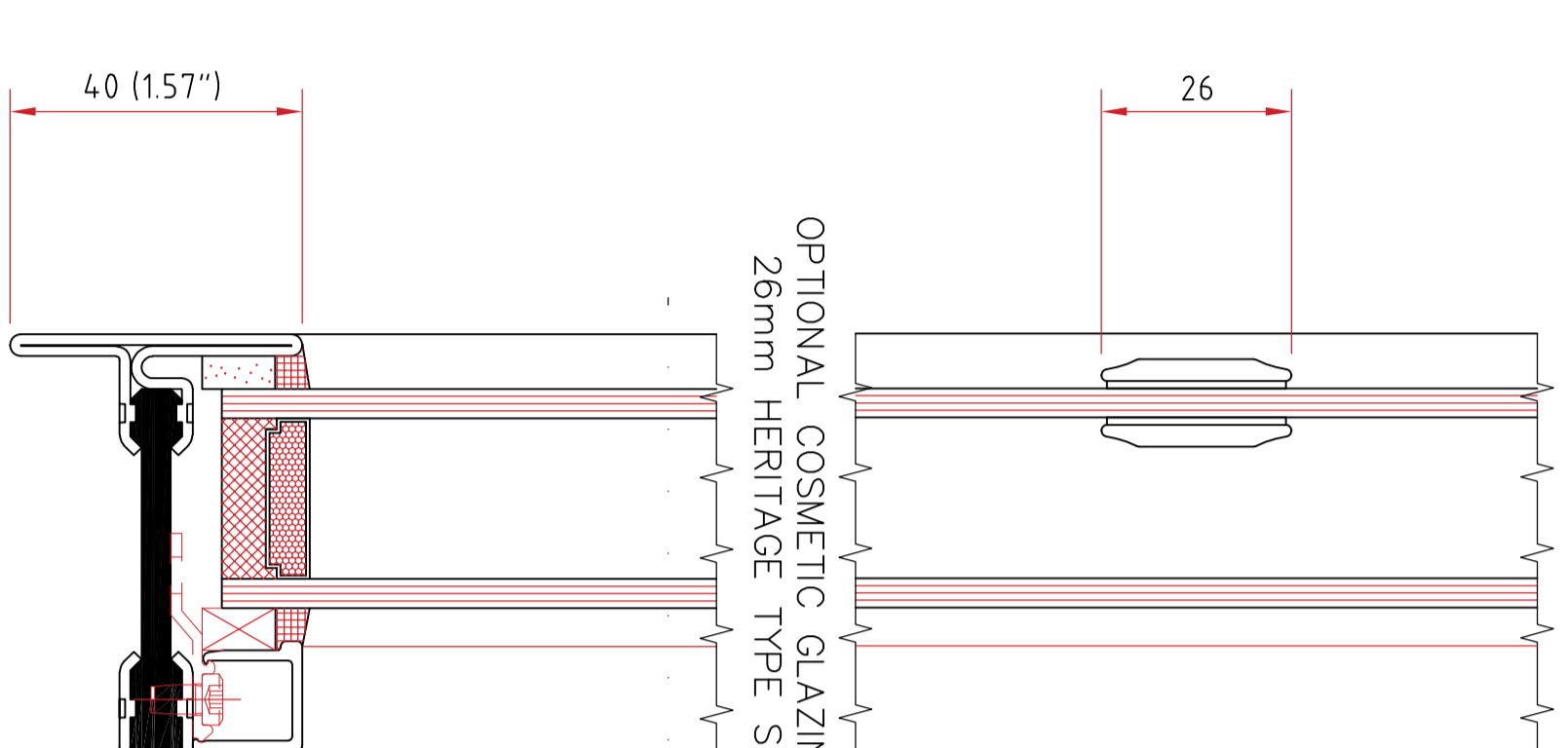
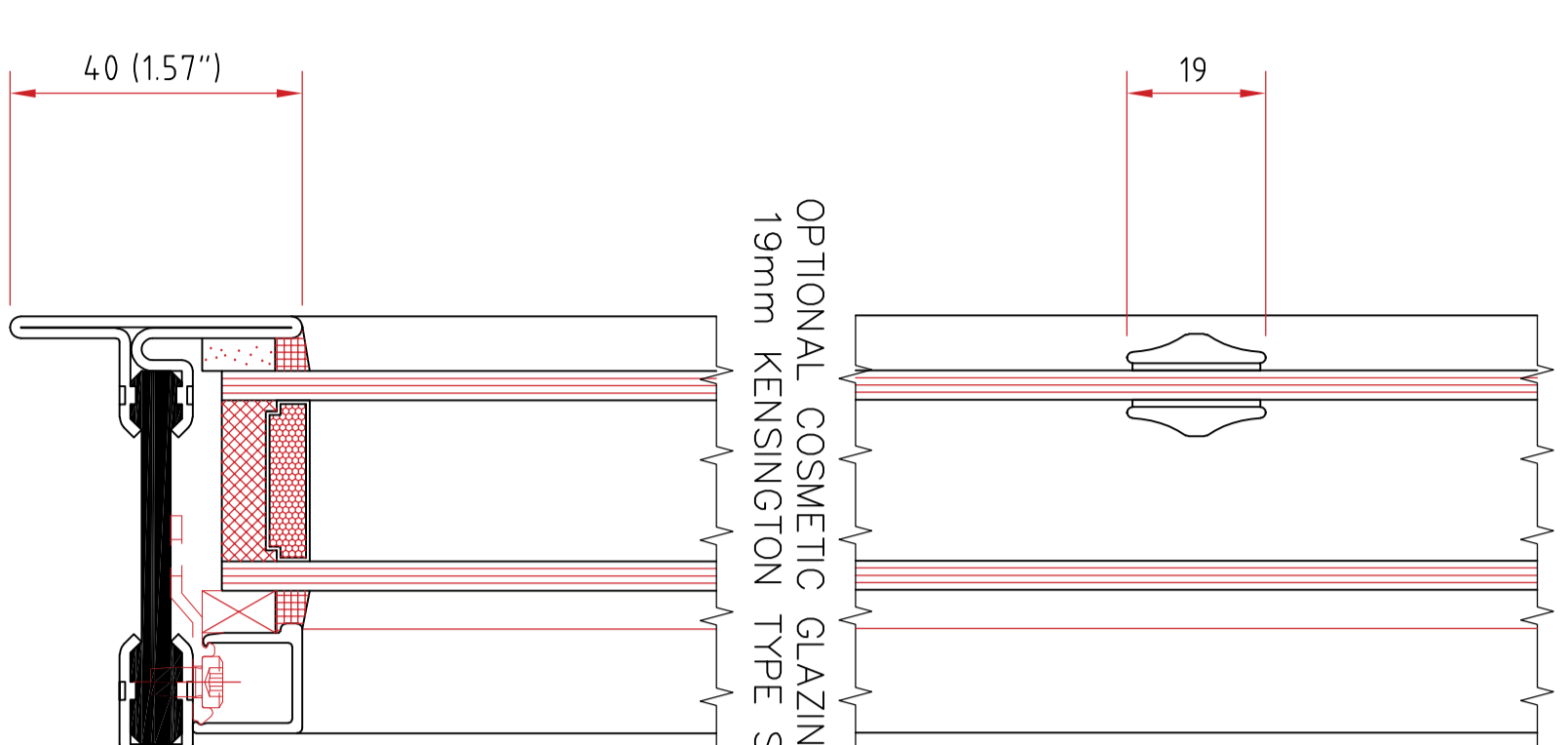
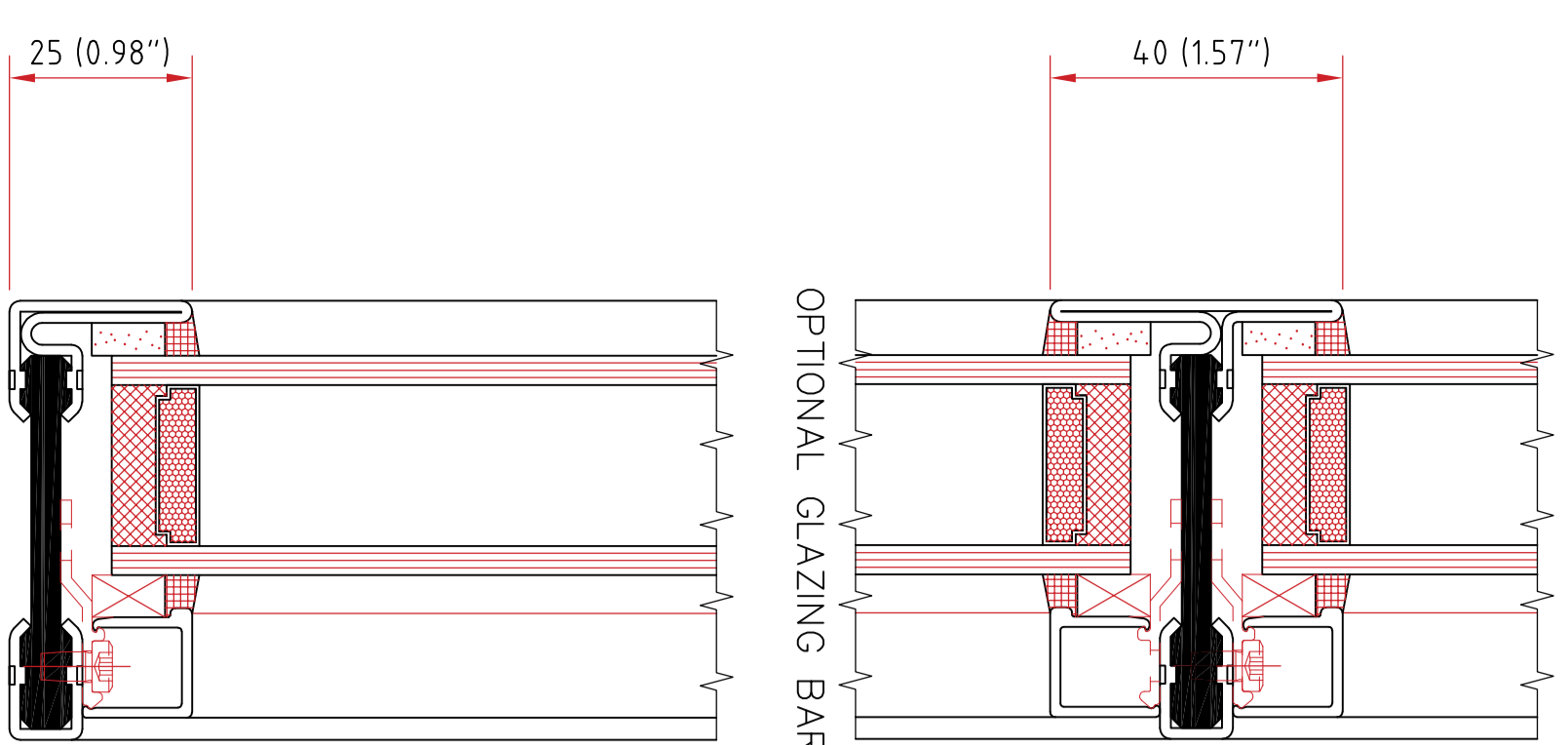
GLAZING BEAD OPTIONS



USE AT DIRECT COUPLINGS ONLY



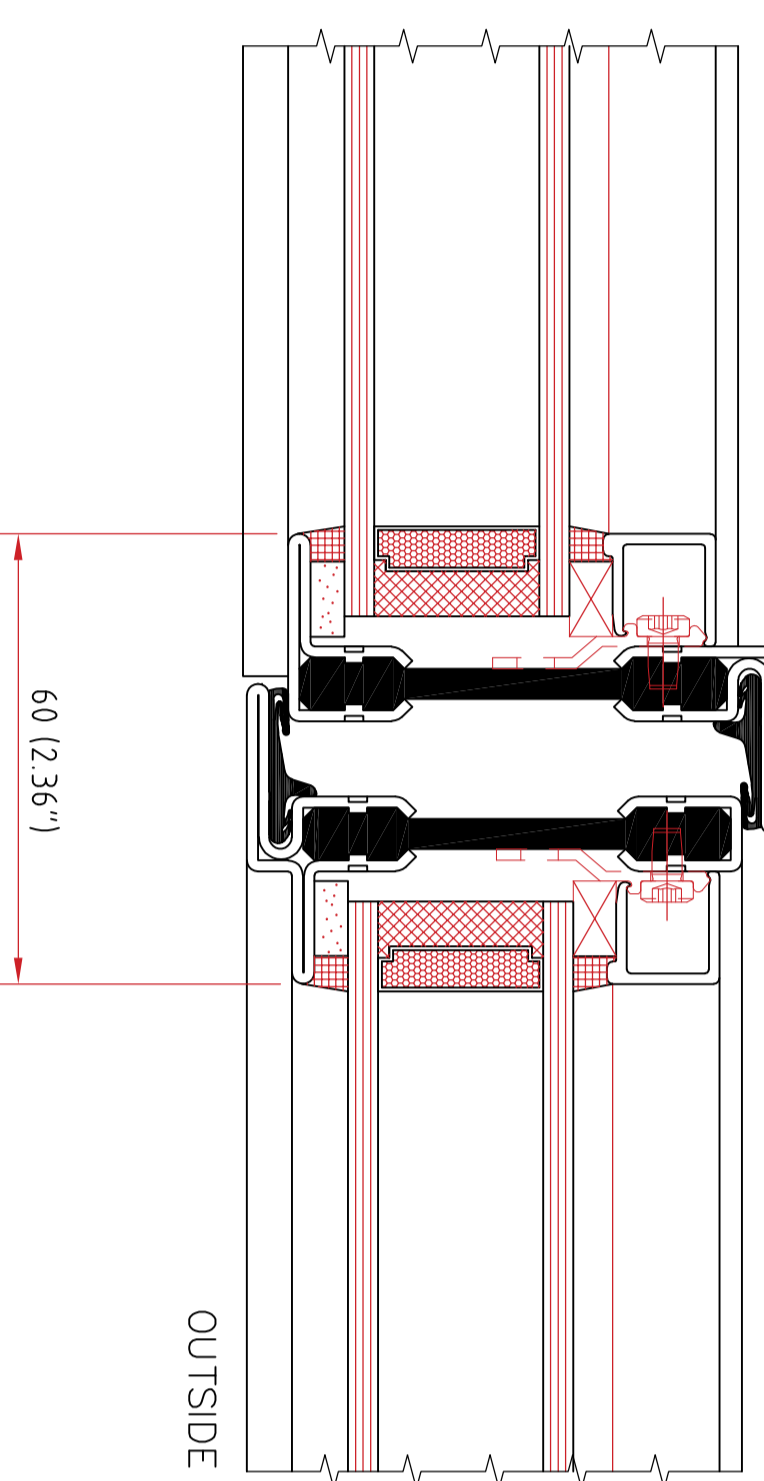
DIRECT COUPLING DETAILS



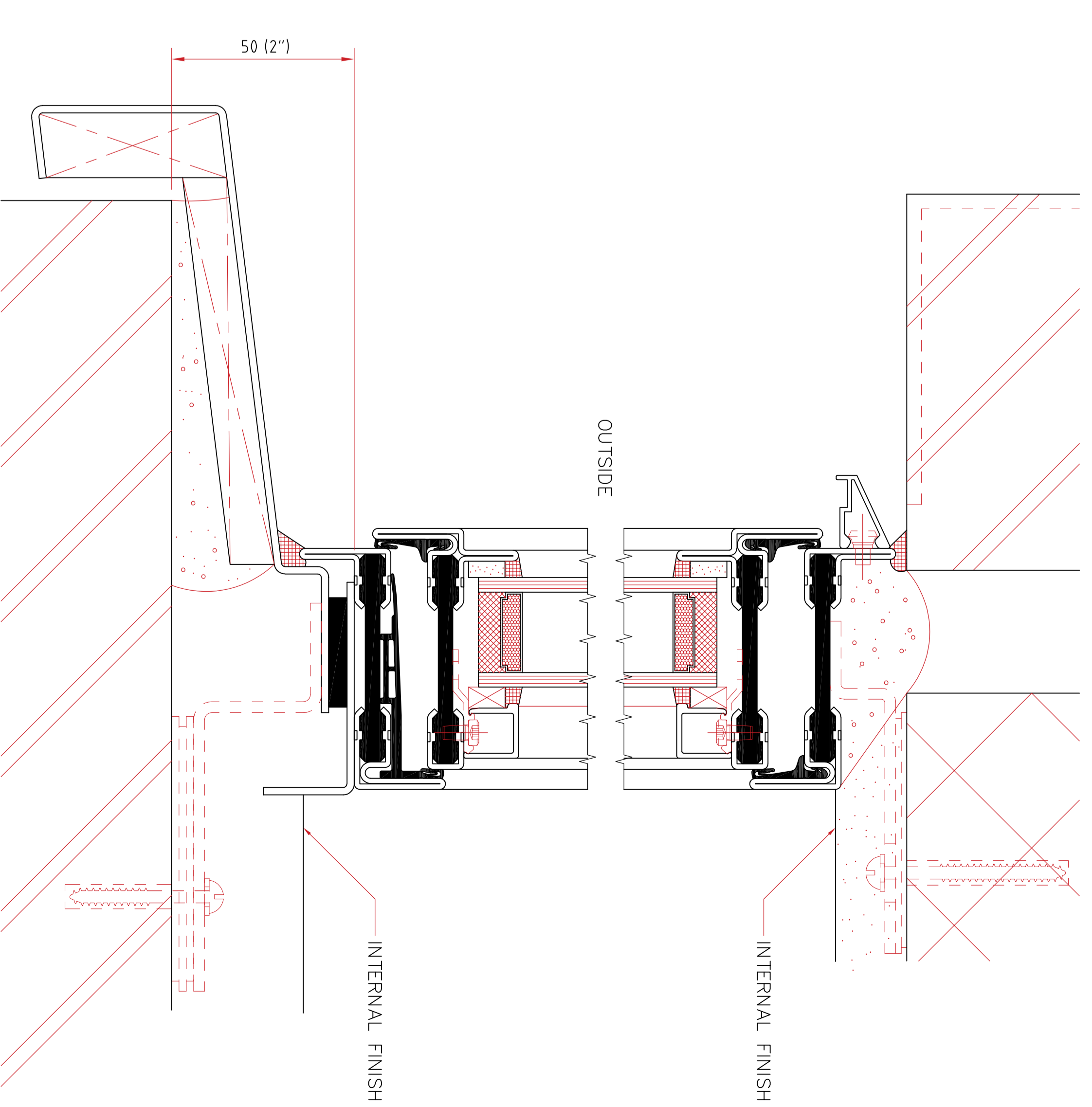
FIXED LIGHTS

OPENING LIGHTS

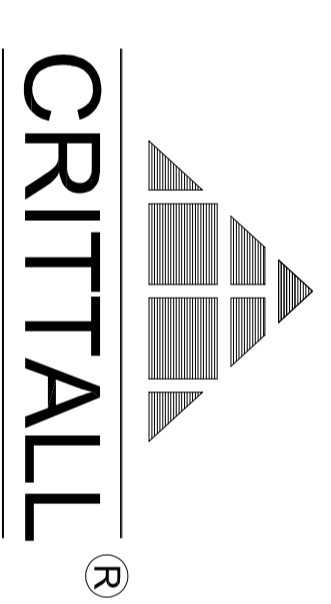
TYPICAL MEETING RAIL DETAIL
(FRENCH CASEMENT)



JAMB DETAILS SIMILAR TO
HEAD AND SILL



TYPICAL SURROUND DETAIL



CRITTALL®

CRITTALL® IS A REGISTERED TRADE MARK OF CRITTALL WINDOWS LIMITED

T60 WINDOWS
GENERAL ARRANGEMENT

REF: T60 04/22
SHEET 1 OF 1