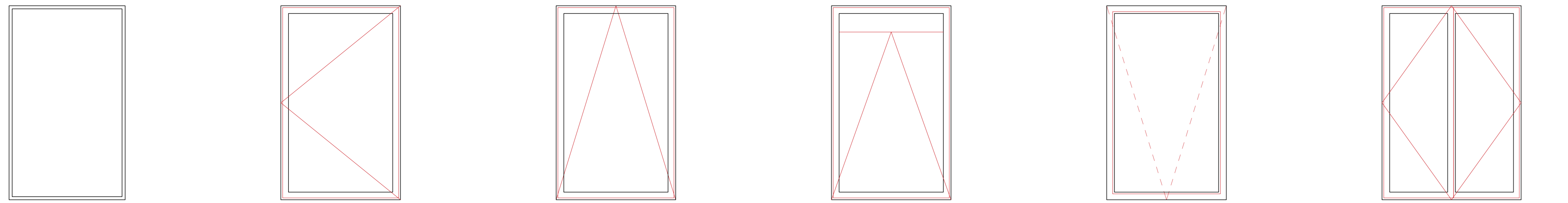
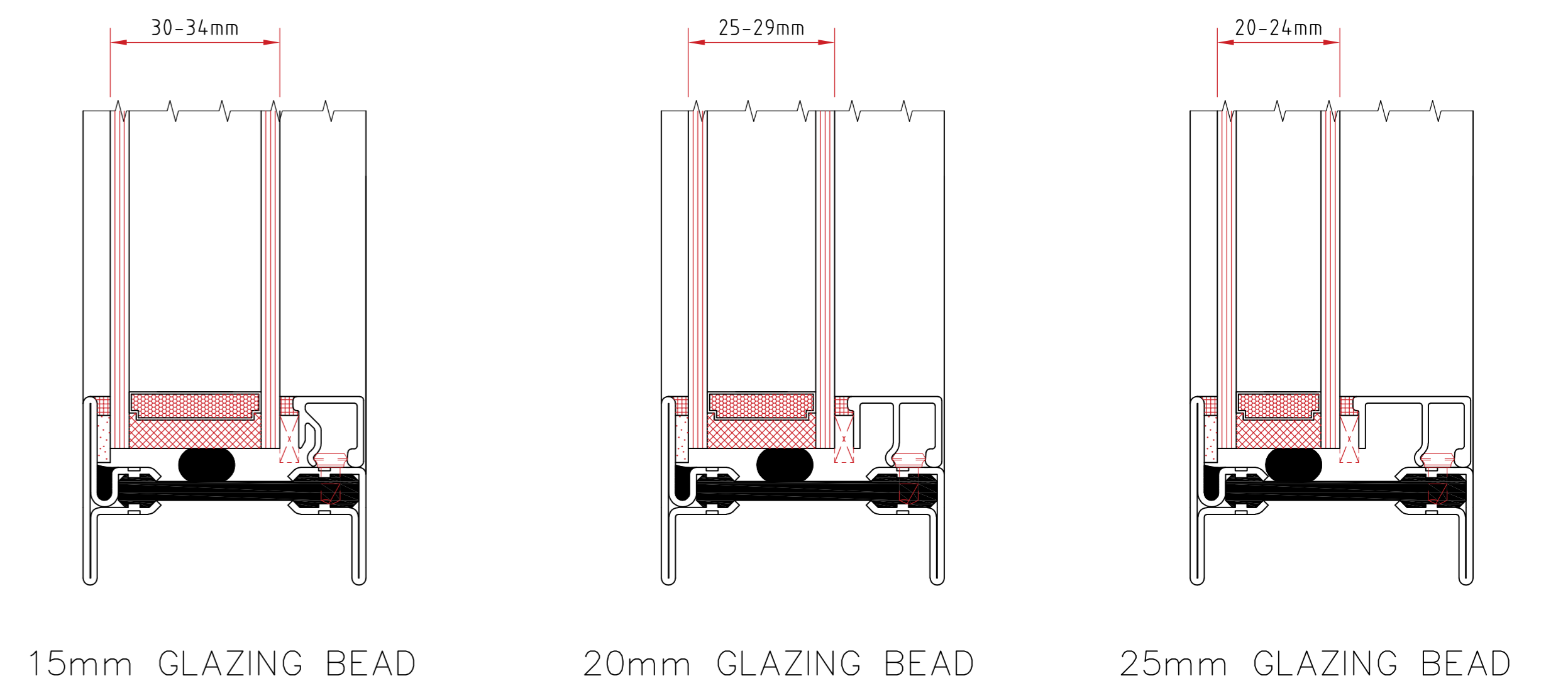


PRODUCT RANGE

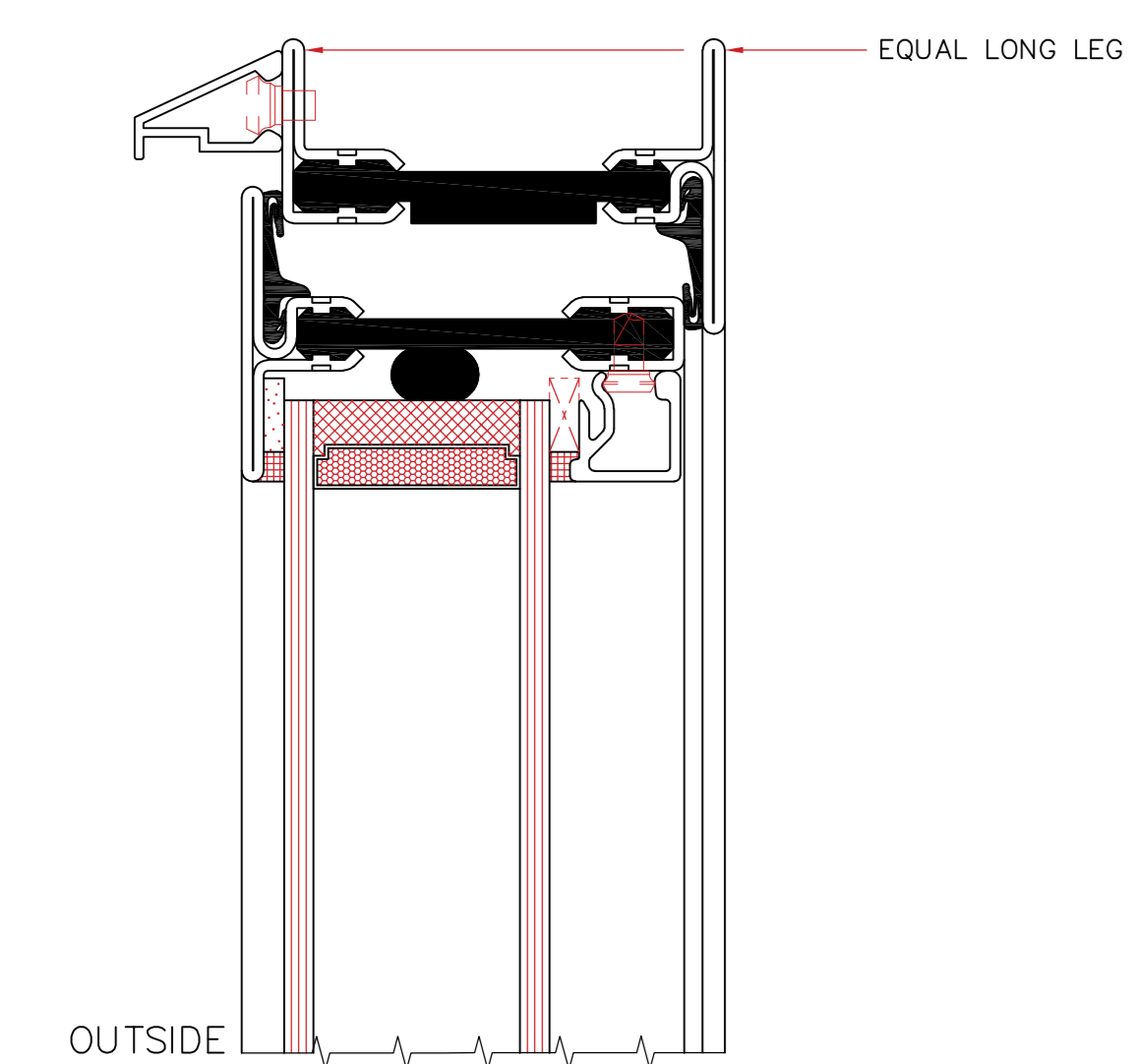
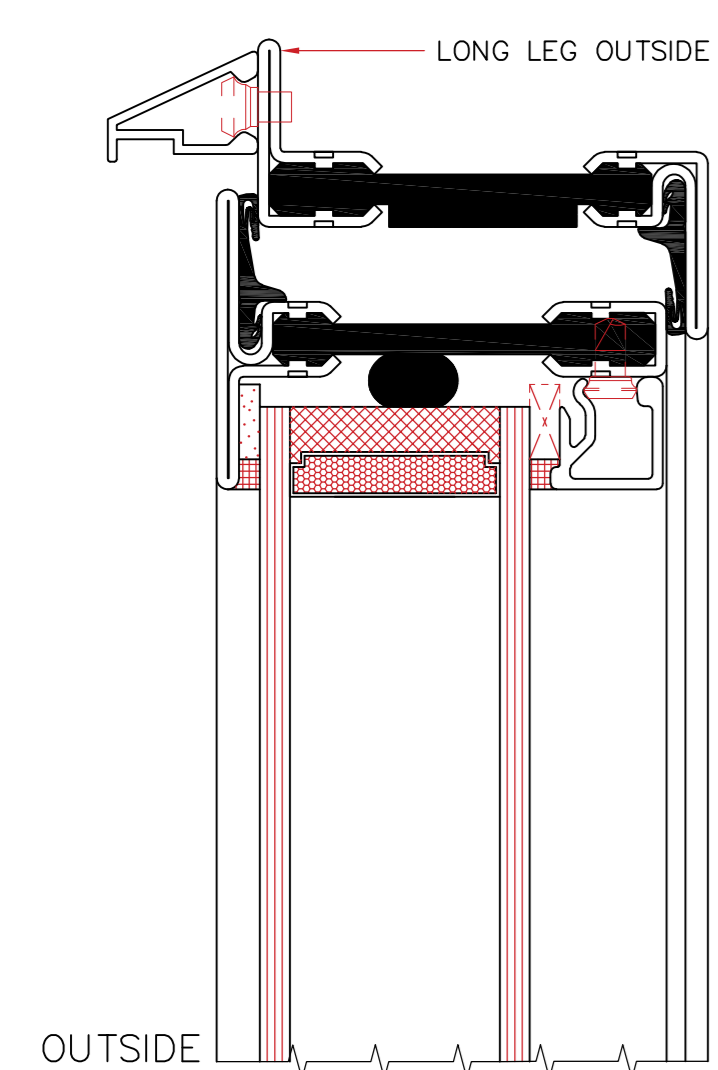
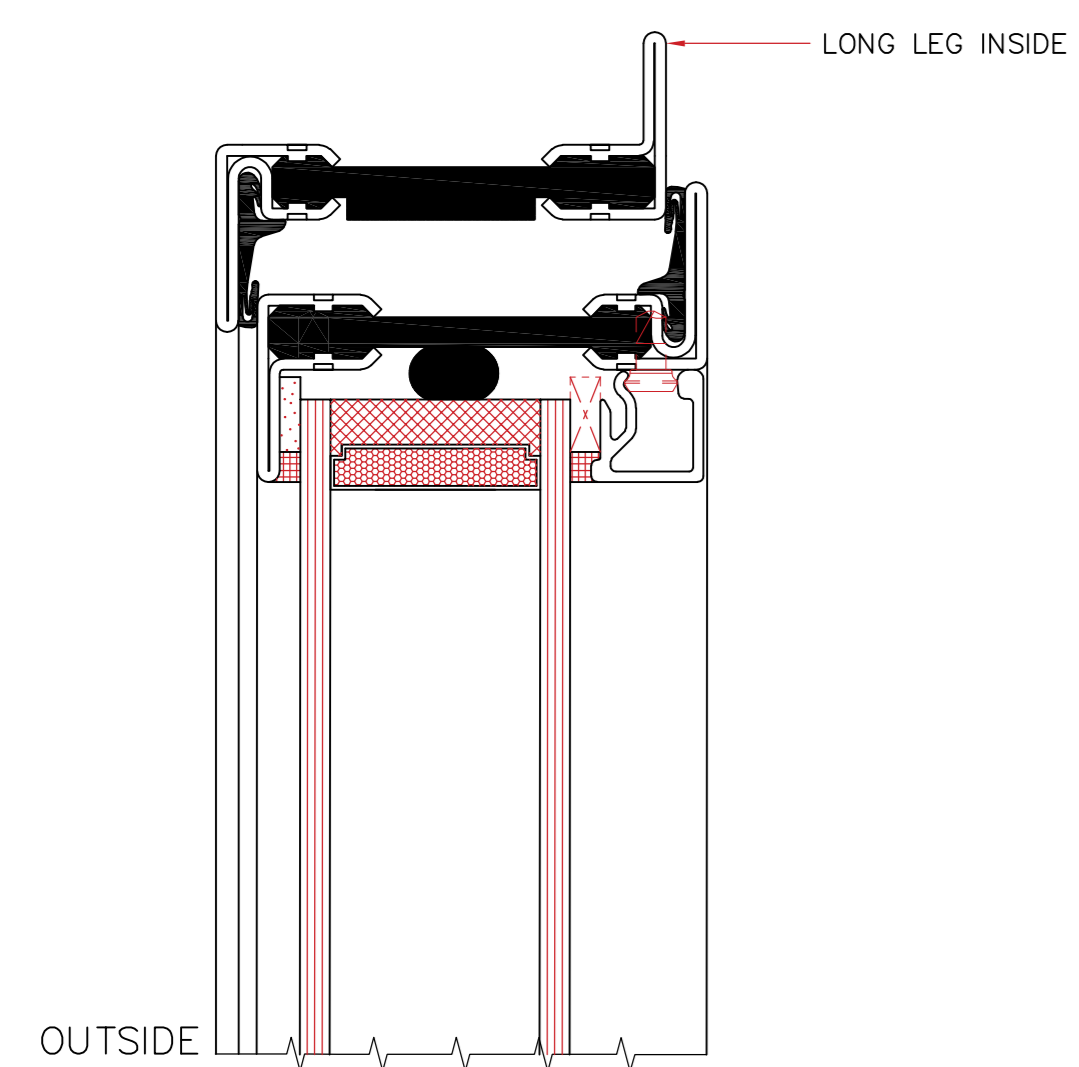


FIXED LIGHT      SIDE HUNG CASEMENT OPEN OUT & OPEN IN      TOP HUNG VENT OPEN OUT      PROJECTING TOP HUNG VENT OPEN OUT      BOTTOM HUNG VENT OPEN IN      FOLDING WINDOW OPEN OUT & OPEN IN

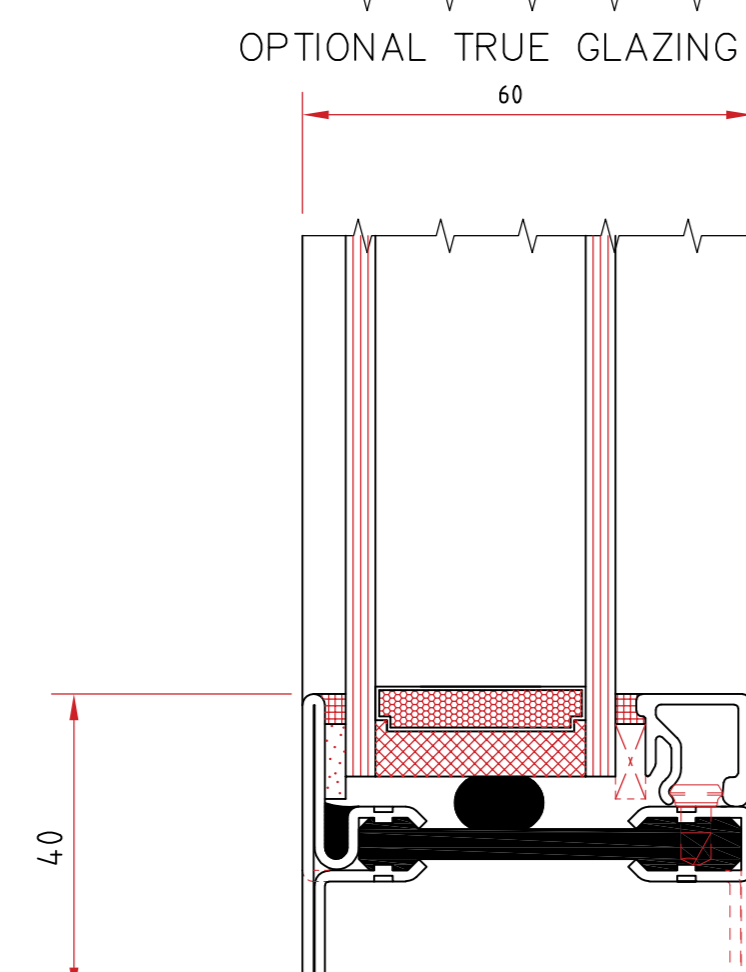
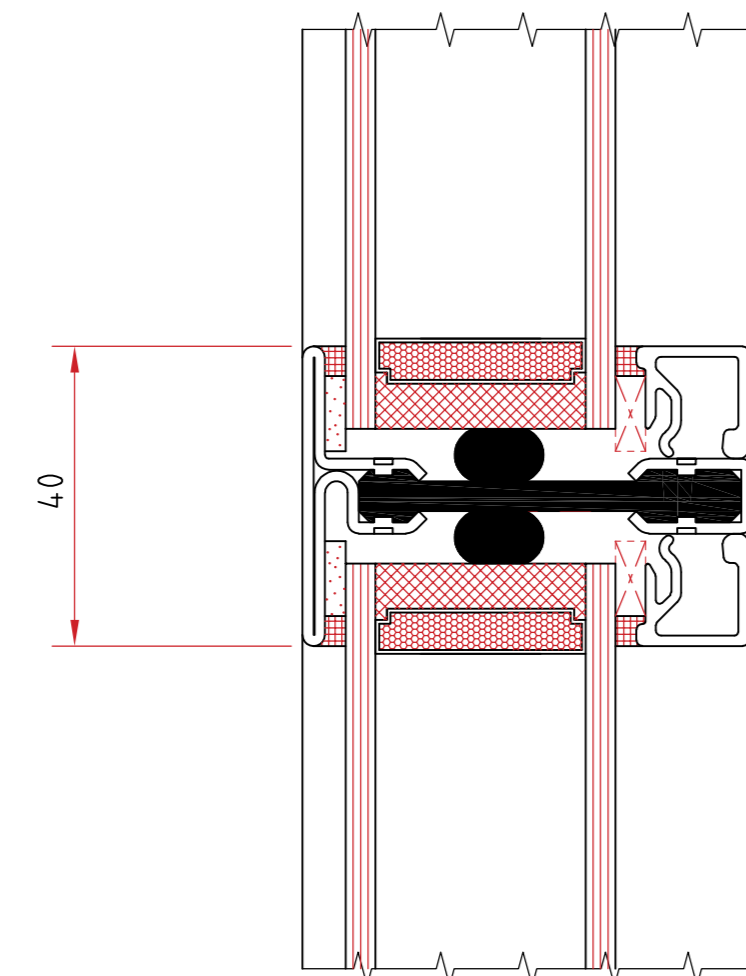
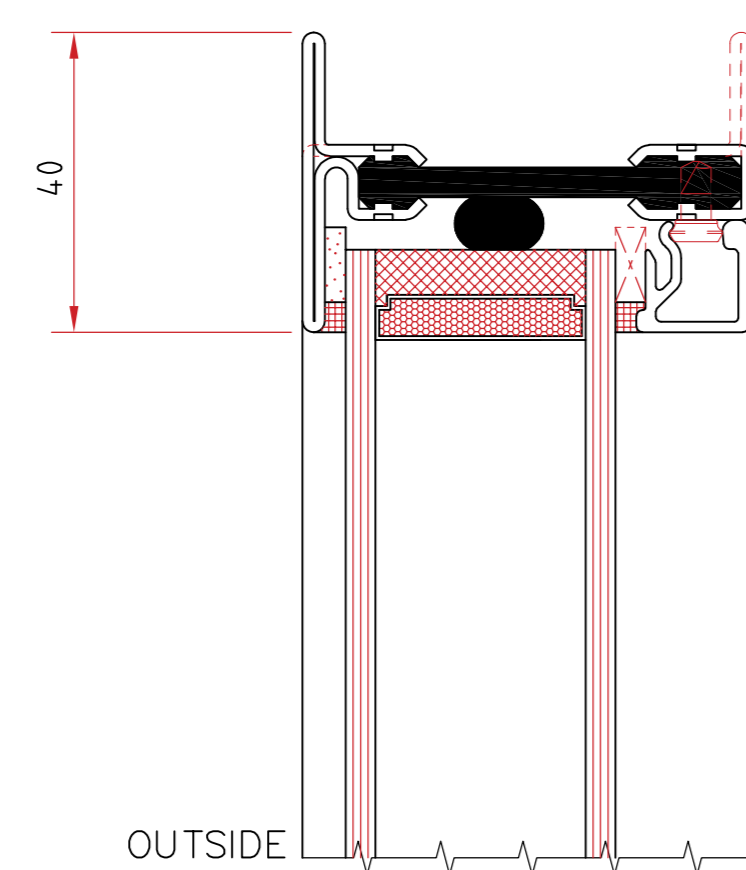


15mm GLAZING BEAD      20mm GLAZING BEAD      25mm GLAZING BEAD

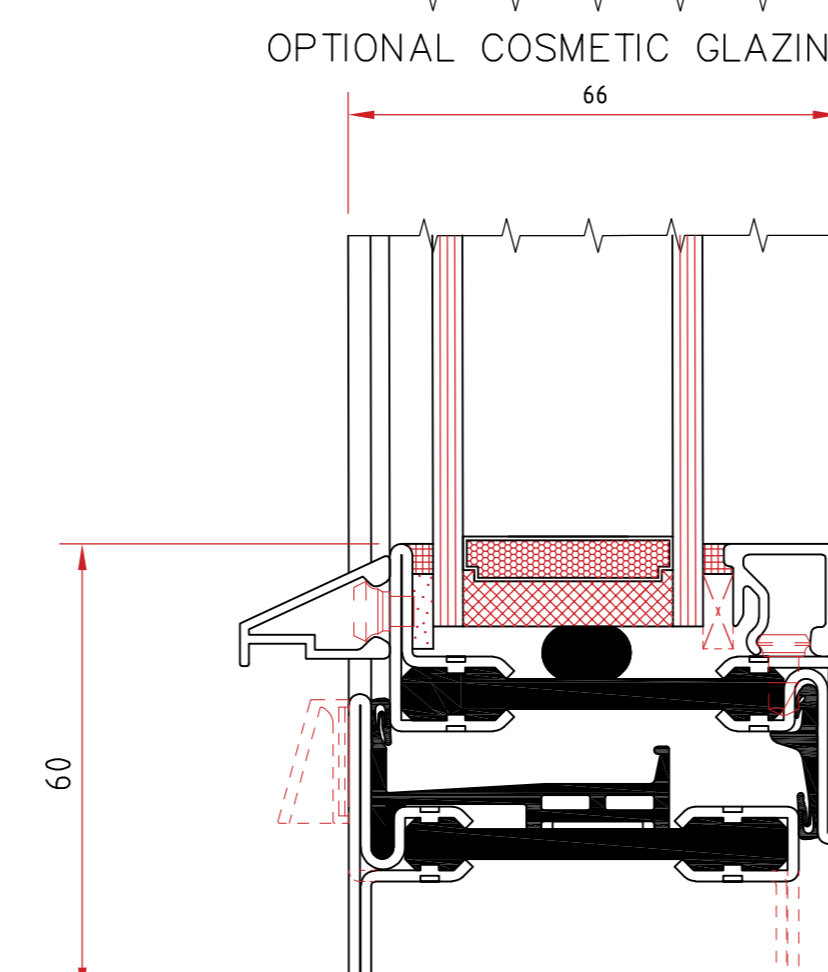
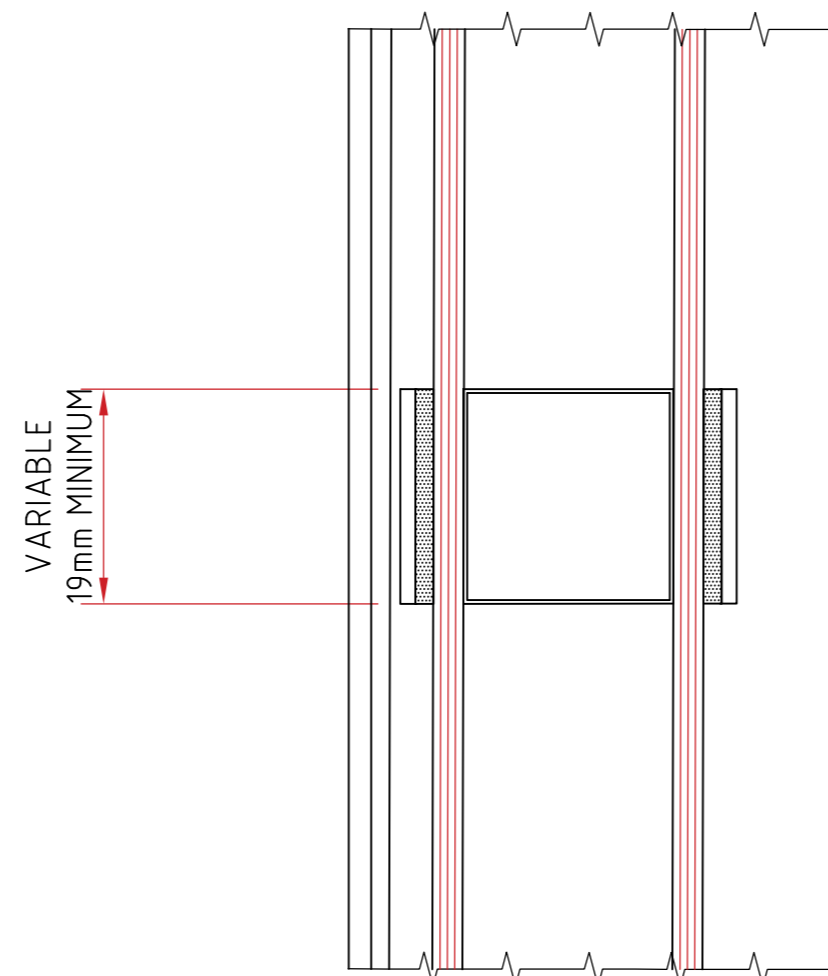
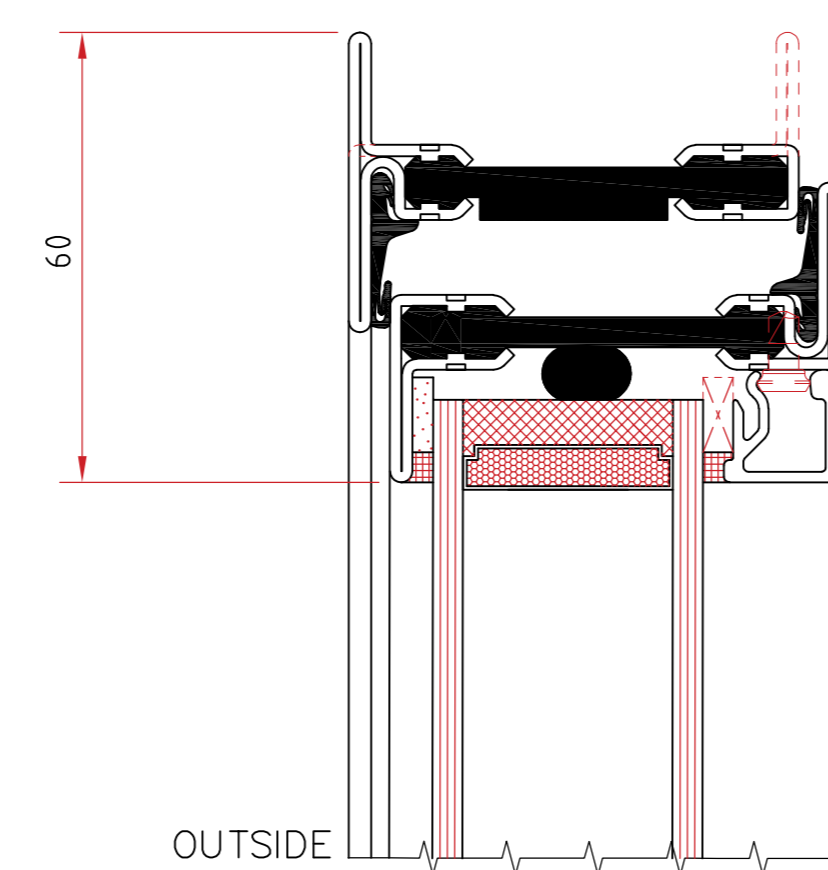
GLAZING BEAD OPTIONS



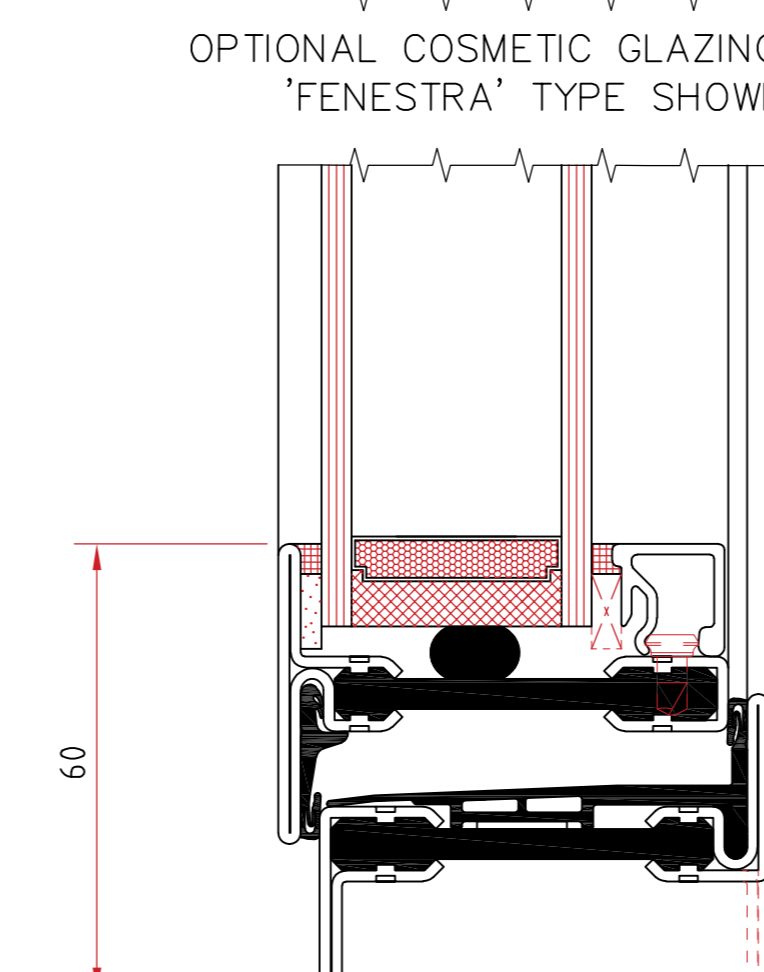
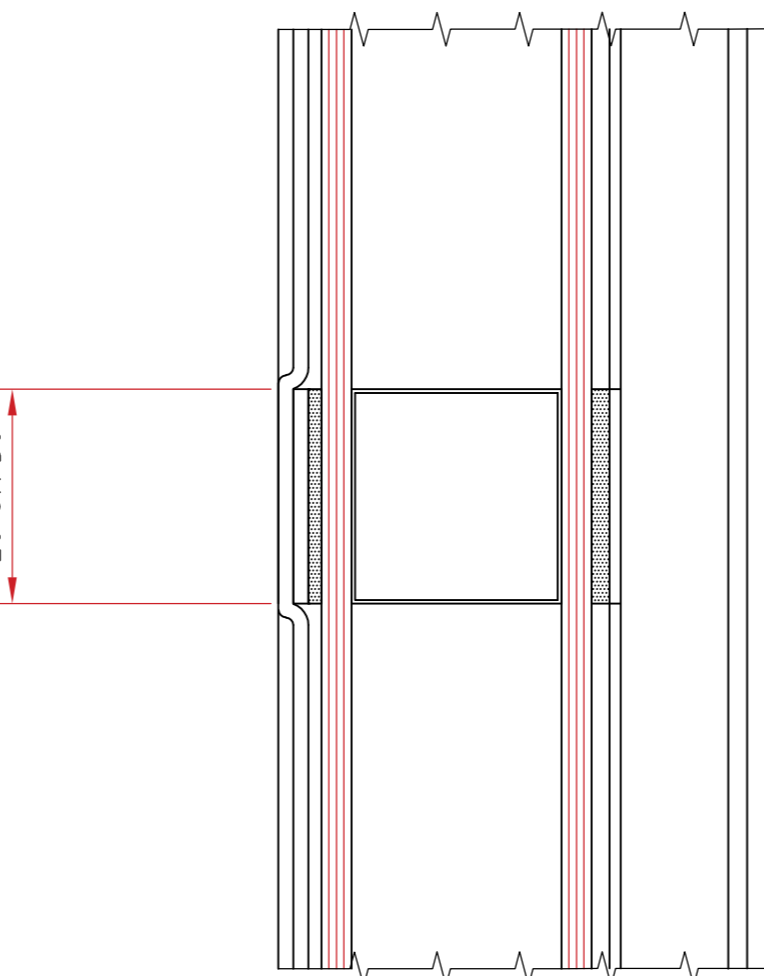
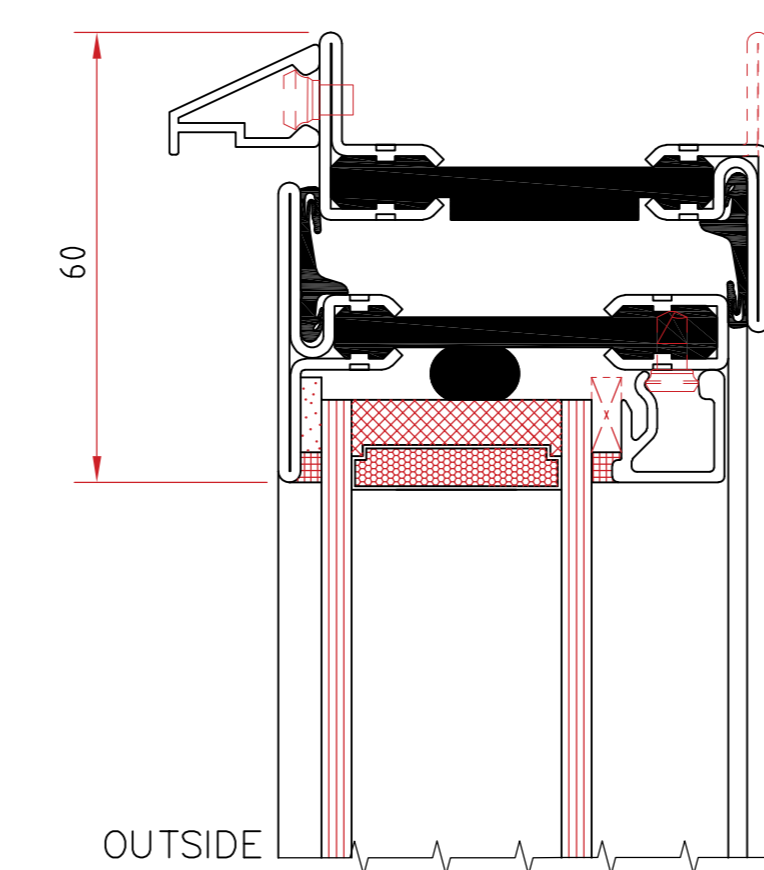
PROFILE LEG OPTIONS



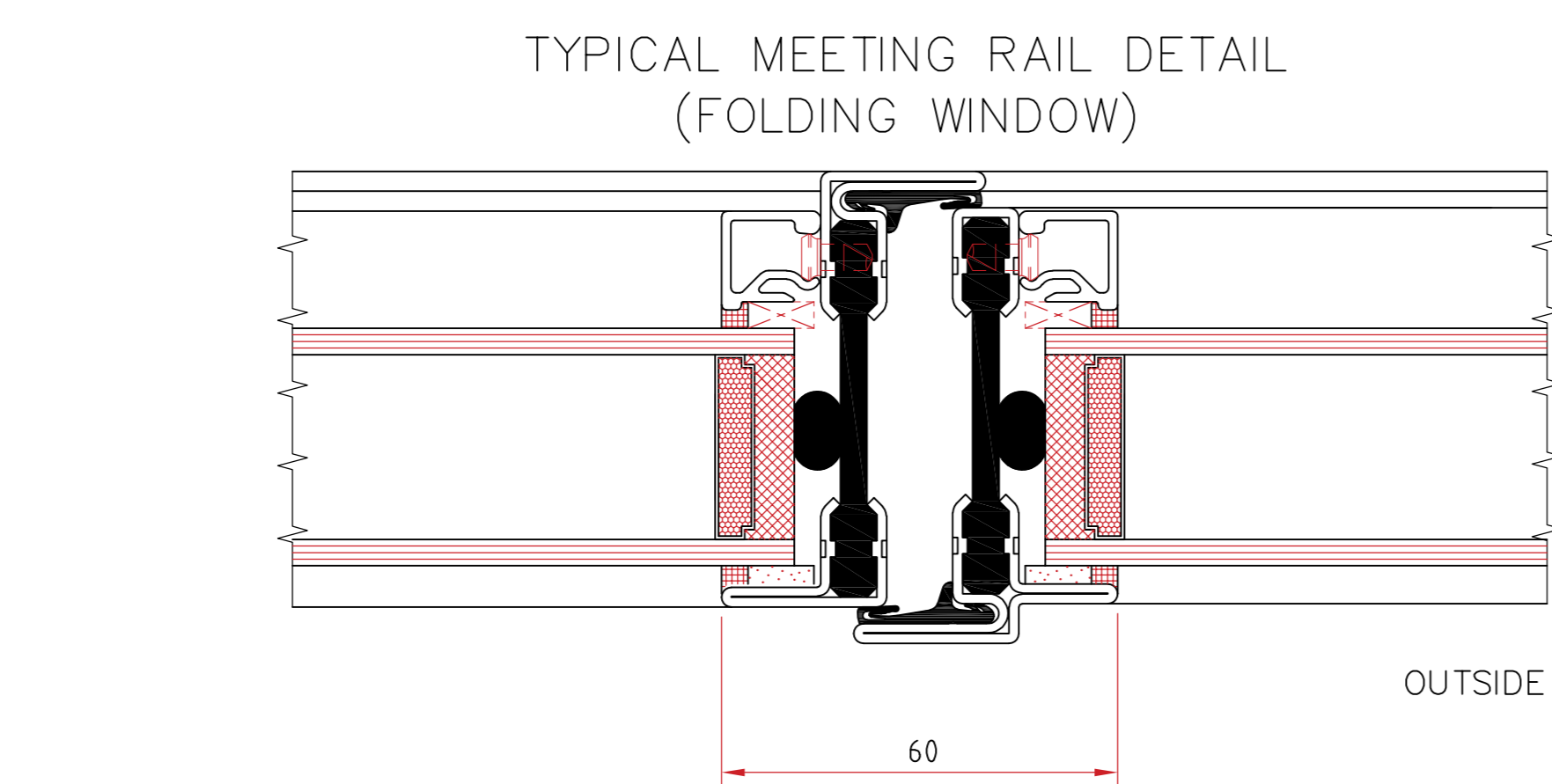
FIXED LIGHTS



OPENING LIGHT OPEN IN

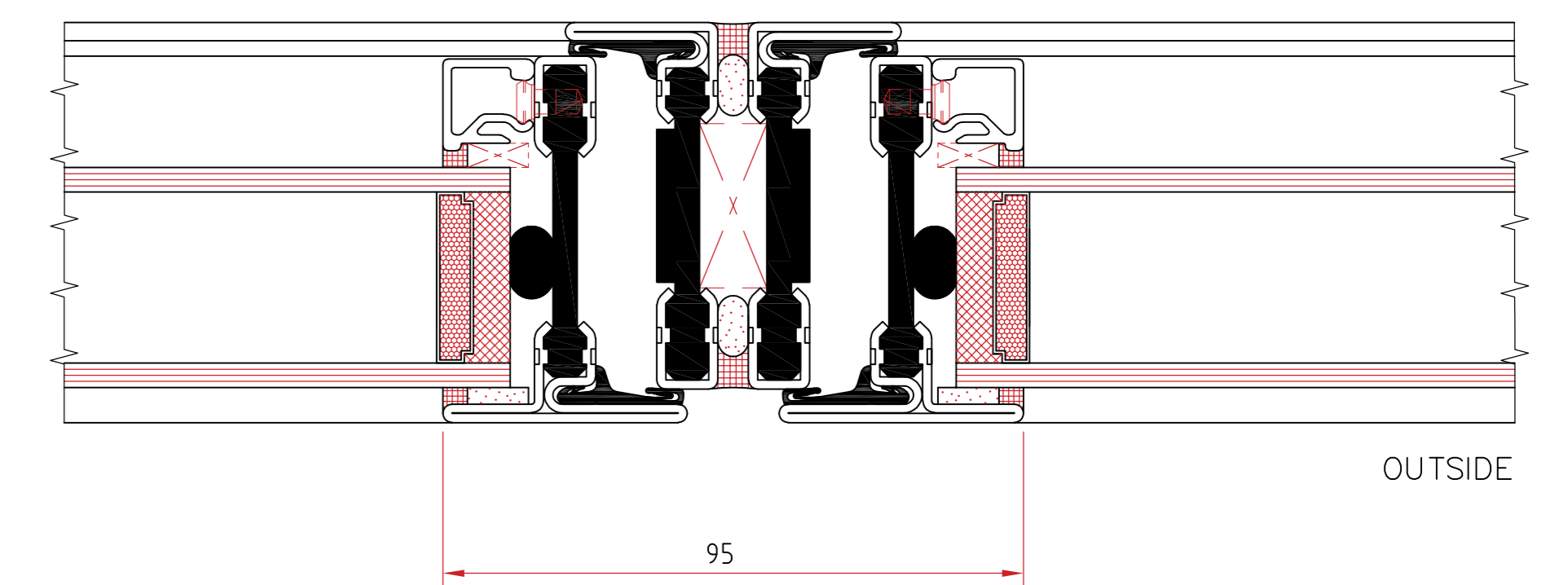
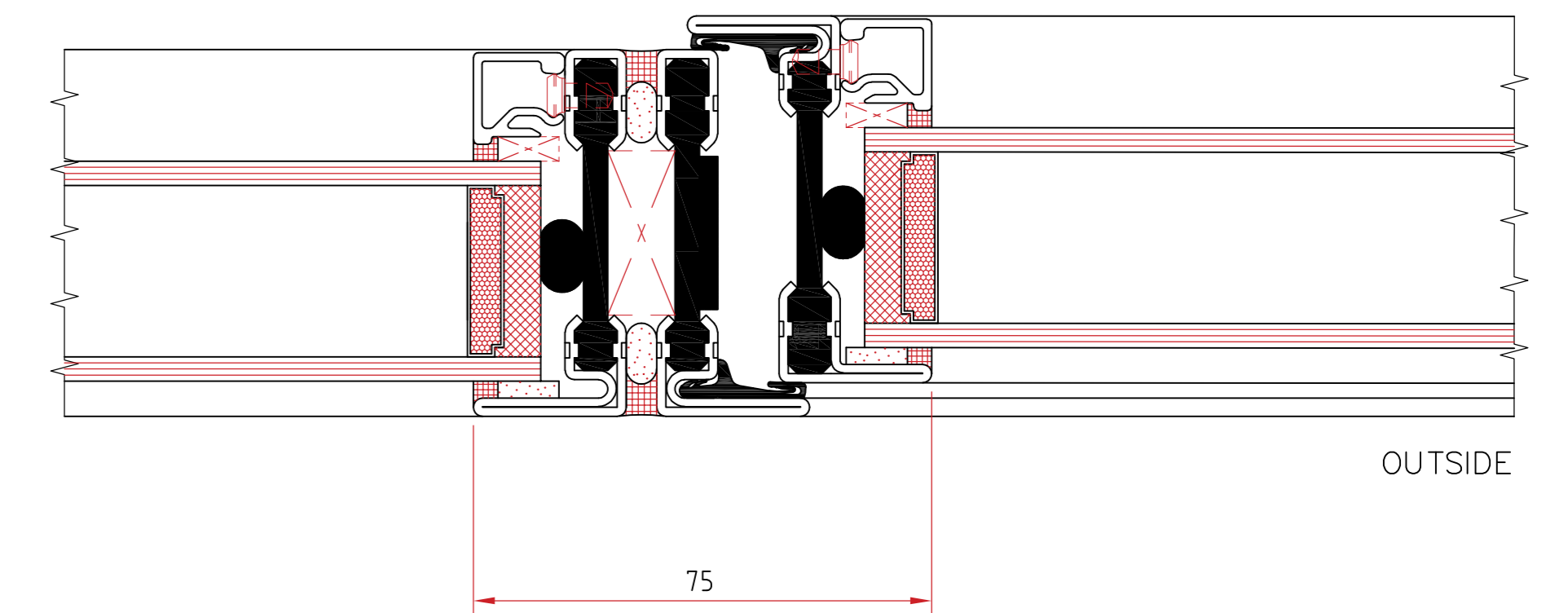
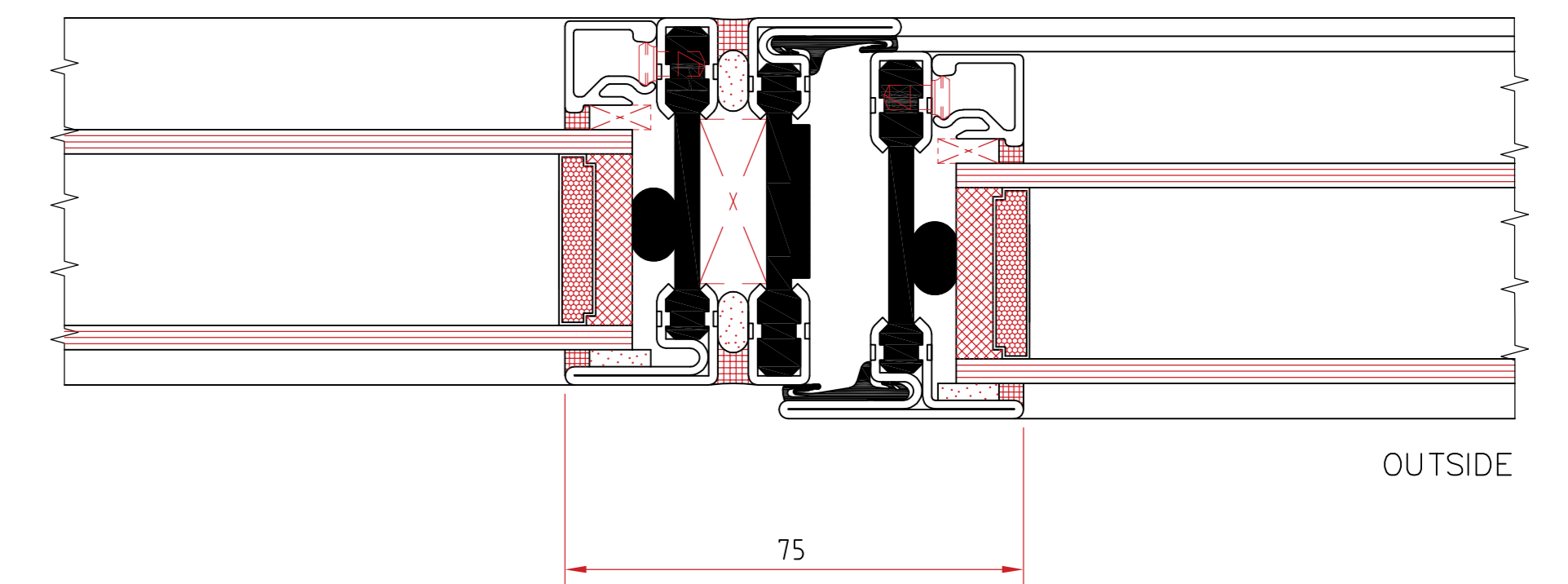
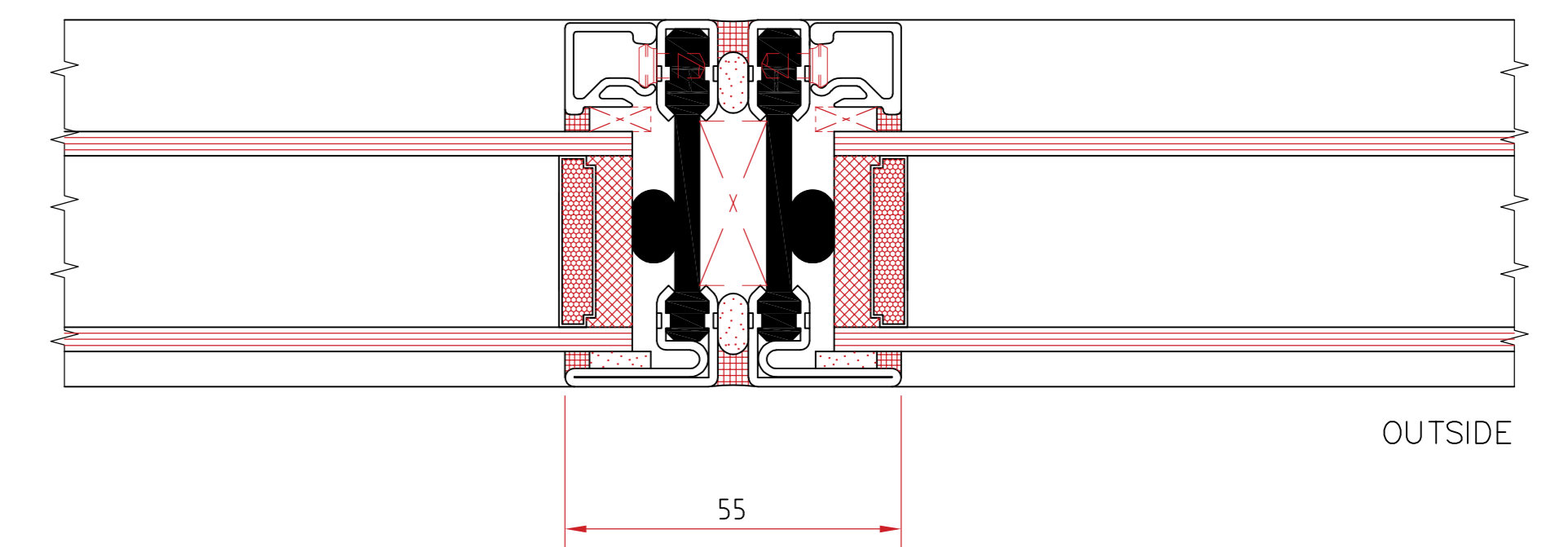


OPENING LIGHT OPEN OUT

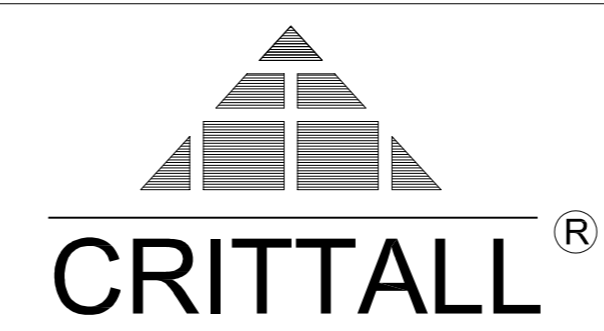


TYPICAL MEETING RAIL DETAIL (FOLDING WINDOW)

JAMB DETAILS SIMILAR TO HEAD AND SILL



DIRECT COUPLING DETAILS



T60 WINDOWS  
GENERAL ARRANGEMENT

CRITTALL® IS A REGISTERED TRADE MARK OF CRITTALL WINDOWS LIMITED